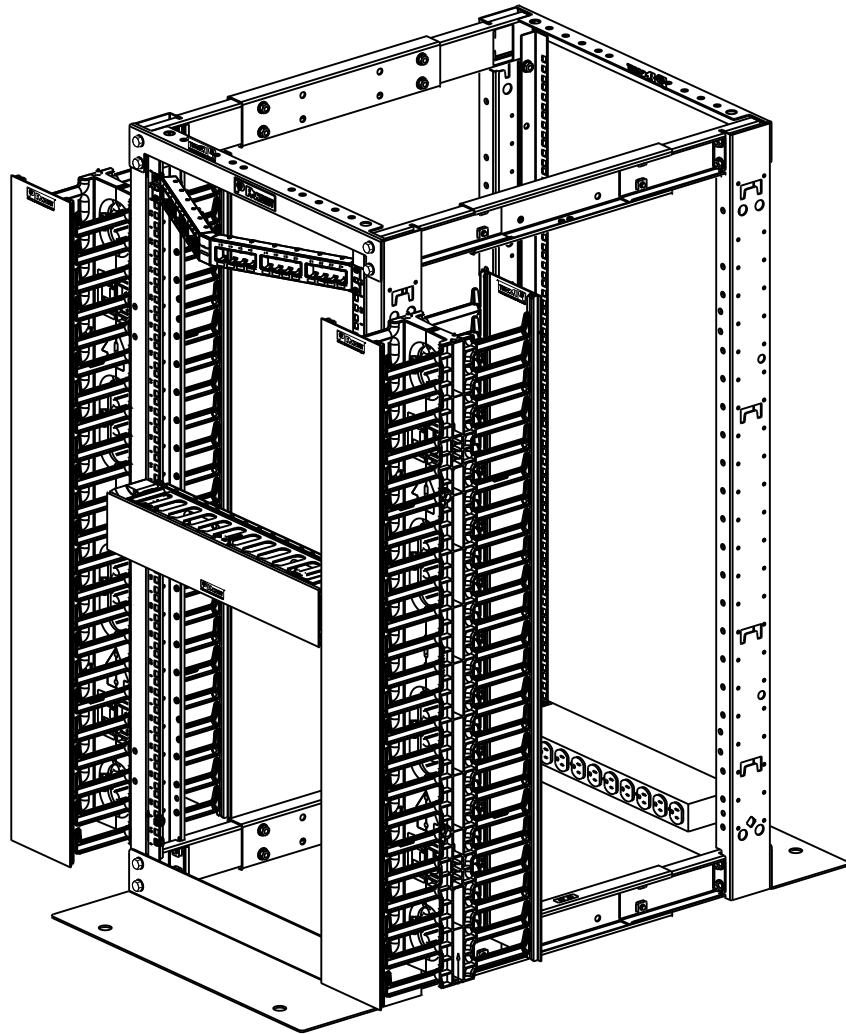


THIS COPY IS PROVIDED ON A RESTRICTED BASIS AND IS NOT TO BE USED IN ANY WAY DETRIMENTAL TO THE INTERESTS OF PANDUIT CORP.



FINAL ASSEMBLED VIEW  
(LOCATIONS ARE FOR REFERENCE ONLY)

PANDUIT P/N	WEIGHT
1AR4P48CNB	108 LBS/EACH 49 kg/EACH

NOTES:

- VISIT OUR ON-LINE CATALOG AT [WWW.PANDUIT.COM](http://WWW.PANDUIT.COM) FOR A LIST OF OTHER CURRENT PARTS APPLICABLE FOR USE WITH THIS PRODUCT.
- DIMENSIONS IN PARENTHESIS ARE METRIC.
- RACK LOAD RATING - 1400 LBS (635kg).
- ASSEMBLY HARDWARE FOR PACKAGE CONTENTS IS INCLUDED WITHIN PART PACKAGING (SEE TABLE: PACKAGE CONTENTS).
- SOME ASSEMBLY OF PACKAGE CONTENTS IS REQUIRED.

PACKAGE CONTENTS:

DESCRIPTION	QTY
24RU Industrial Automation Rack	1
Vertical Manager (SHOWN 1/2 PER SIDE)	1
24-port, angled, Cat 6, Patch Panel	1
Cat 6, RJ45, 8-position, 8-wire, bulk (NOT SHOWN)	12
PatchLink Horizontal (2RU) Manager	1
Cat 6, UTP patch cord w/ TX6+ modular plugs (NOT SHOWN)	12
Hook & Loops Roll 0.75" wide x 15 ft length (NOT SHOWN)	1
19" Horizontal Power Strip 15 Amps	1
Cage Nut Kit 12-24; pkg. of 25 (NOT SHOWN)	1

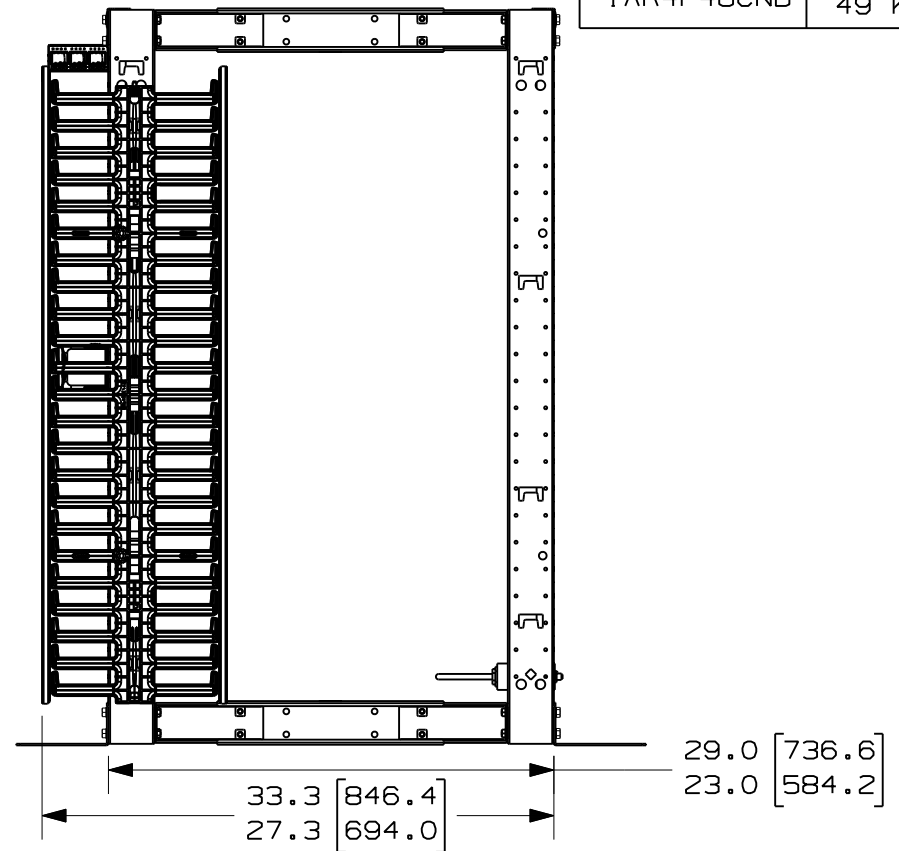
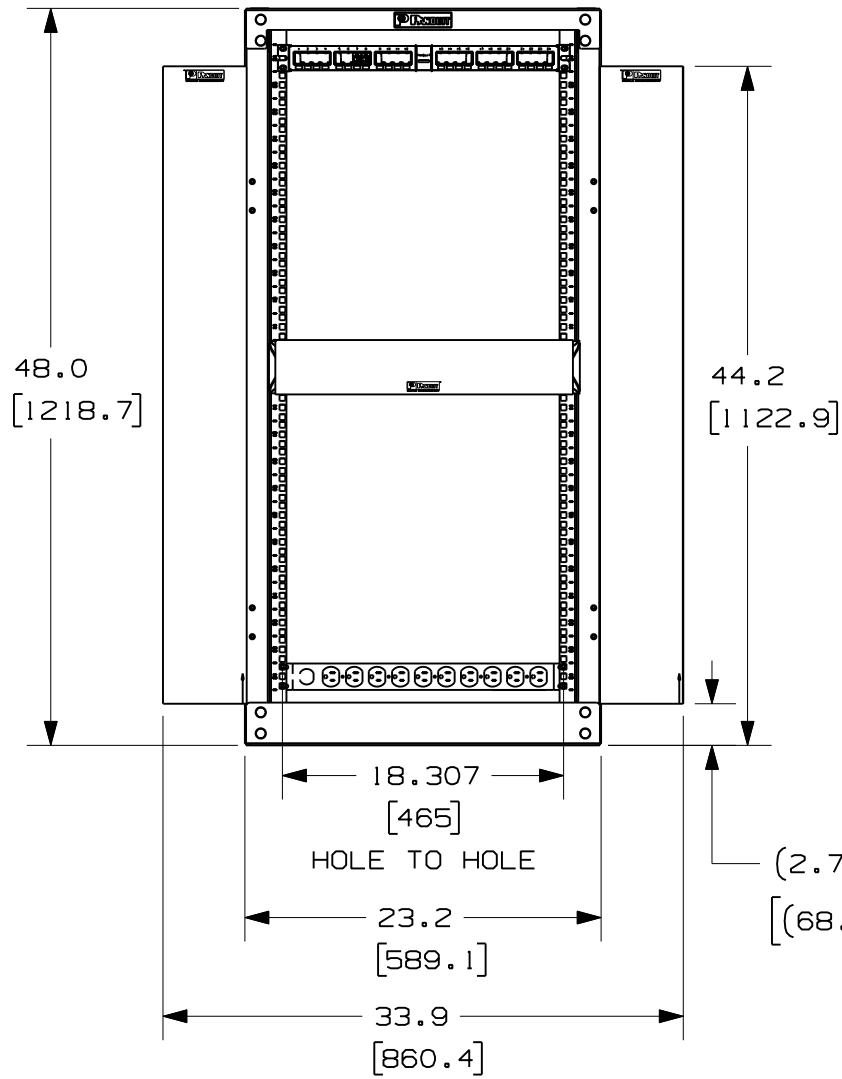
MODEL FILENAME		11V202AM/00	
CAD FILENAME/LAYERS		11V202AM_DC/00A	
<h1>PANDUIT</h1> CORP. TINLEY PARK, ILLINOIS			
INDUSTRIAL AUTOMATION RACK BUNDLE, 24RU CAGE NUT RAILS (1AR4P48CNB) CUSTOMER DRAWING			
UNLESS OTHERWISE SPECIFIED, DIMENSIONAL TOLERANCES ARE: (.X) ± (.XX) ±		UNLESS OTHERWISE SPECIFIED, ALL DIMENSIONS ARE GIVEN IN INCHES, THIRD ANGLE PROJECTION.	
DRAWN BY BKA		MAT'L: SEE PACKAGE CONTENTS	
DATE 5/3/12		SCALE NONE	
CHK'D BAME		DRAWING NO. 11V202AM-DC SHEET 1 OF 3	
		DWG A SIZE	

REV	DATE	BY	CHK	DESCRIPTION	ECN	R	CUST	SUP	OTH
OOA	5/11/12	BKA	BAME	RELEASED TO PRODUCTION	11V202AM-DC				

11V202AM/00

THIS COPY IS PROVIDED ON A RESTRICTED BASIS AND IS NOT TO BE USED IN ANY WAY DETRIMENTAL TO THE INTERESTS OF PANDUIT CORP.

PANDUIT P/N	WEIGHT
1AR4P48CNB	108 LBS/EACH 49 Kg/EACH



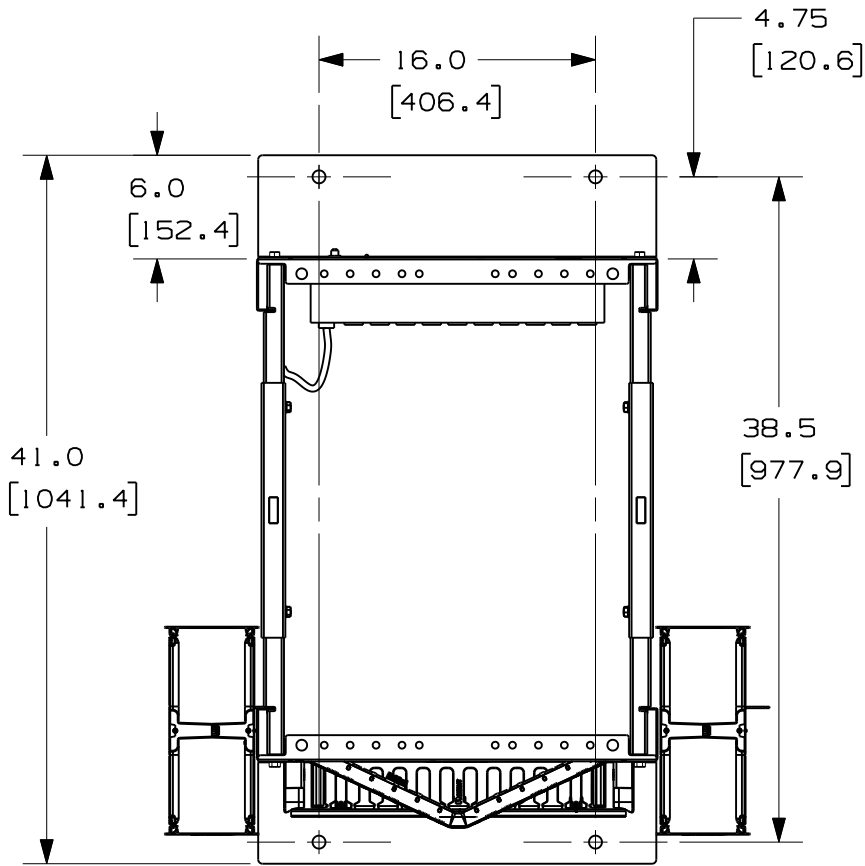
MODEL FILENAME	11V202AM/00	
CAD FILENAME/LAYERS	11V202AM_DC/00A	
<h1>PANDUIT</h1> CORP. TINLEY PARK, ILLINOIS		
INDUSTRIAL AUTOMATION RACK BUNDLE, 24RU CAGE NUT RAILS (1AR4P48CNB) CUSTOMER DRAWING		
UNLESS OTHERWISE SPECIFIED, DIMENSIONAL TOLERANCES ARE: (.X) ±                    (.XXX) ± (.XX) ±                    ANGLES ±	UNLESS OTHERWISE SPECIFIED, ALL DIMENSIONS ARE GIVEN IN INCHES, THIRD ANGLE PROJECTION.	
DRAWN BY BKA	MAT'L:	SCALE NONE
DATE 5/3/12	SEE PACKAGE CONTENTS	DRAWING NO. 11V202AM-DC
CHK'D BAME		SHEET 2 OF 3
		DWG A SIZE

---	---	---	---	SEE PAGE 1 OF 3	---							
REV	DATE	BY	CHK	DESCRIPTION	ECN	R	CUST	SUP	OTH			

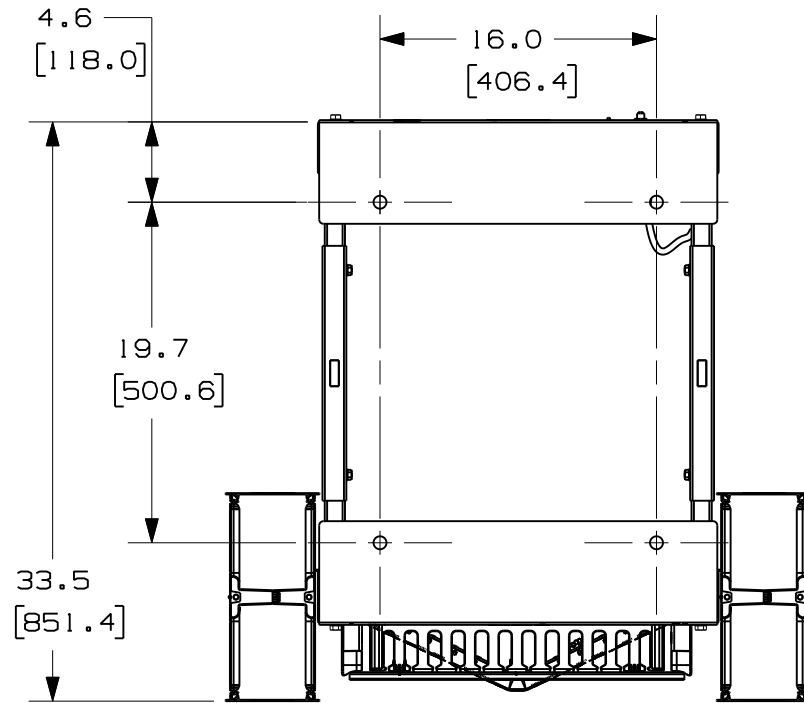
11V202AM/00

THIS COPY IS PROVIDED ON A RESTRICTED BASIS AND IS NOT TO BE USED IN ANY WAY DETRIMENTAL TO THE INTERESTS OF PANDUIT CORP.

PANDUIT P/N	WEIGHT
1AR4P48CNB	108 LBS/EACH 49 kg/EACH



FLOOR FOOTPRINT WITH  
BASE ANGLES TURNED  
OUTWARD FOR EXTENDED  
FOOTPRINT



FLOOR FOOTPRINT WITH  
BASE ANGLES TURNED INWARD

MODEL FILENAME	11V202AM/00
CAD FILENAME/LAYERS	11V202AM_DC/00A
<h1>PANDUIT</h1> CORP. TINLEY PARK, ILLINOIS	
INDUSTRIAL AUTOMATION RACK BUNDLE, 24RU CAGE NUT RAILS (1AR4P48CNB) CUSTOMER DRAWING	

UNLESS OTHERWISE SPECIFIED,  
DIMENSIONAL TOLERANCES ARE:  
(.X) ± (.XXX) ±  
(.XX) ± ANGLES ±

UNLESS OTHERWISE SPECIFIED,  
ALL DIMENSIONS ARE GIVEN  
IN INCHES, THIRD ANGLE PROJECTION.

DRAWN BY BKA	MAT'L:	SCALE NONE
DATE 5/3/12	SEE PACKAGE CONTENTS	DRAWING NO. 11V202AM-DC
CHK'D BAME		SHEET 3 OF 3
		DWG A SIZE

---	---	---	---	SEE SHEET 1 OF 3	---					
REV	DATE	BY	CHK	DESCRIPTION	ECN	R	CUST	SUP	OTH	

11V202AM/00