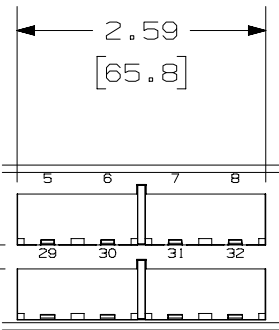
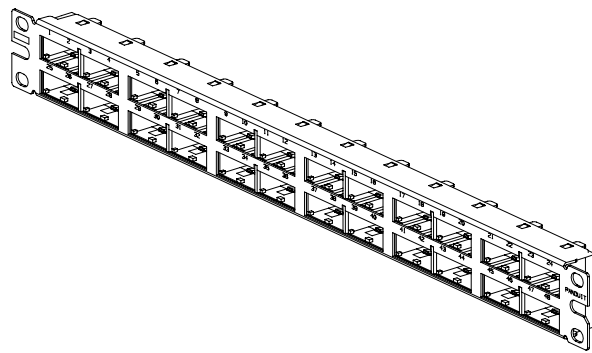
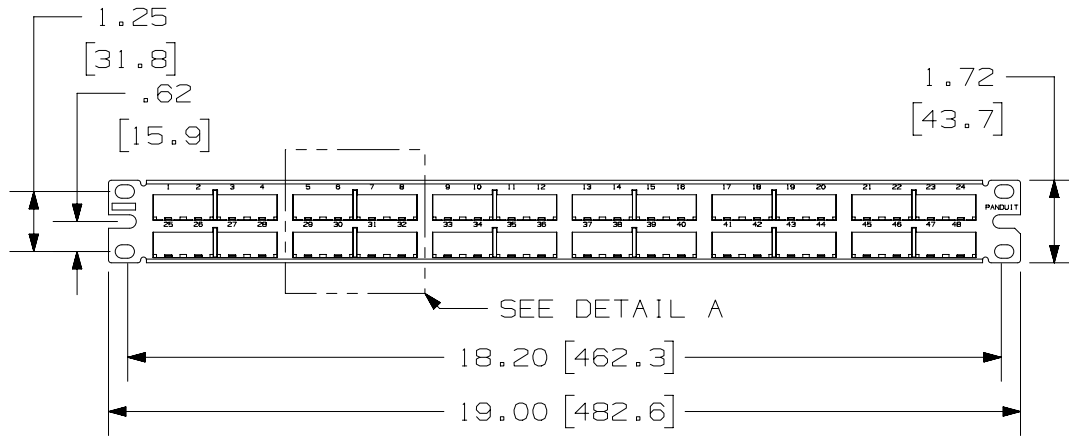
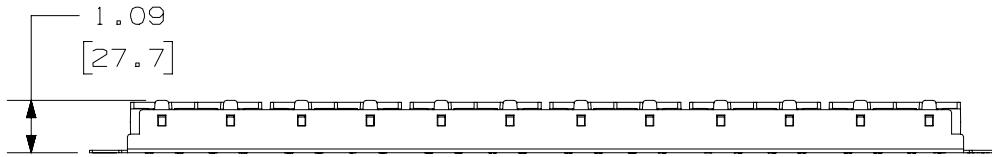


THIS COPY IS PROVIDED ON A RESTRICTED BASIS AND IS NOT TO BE USED IN ANY WAY DETRIMENTAL TO THE INTERESTS OF PANDUIT CORP.

NOTES:

1. VISIT OUR ON-LINE CATALOG AT [WWW.PANDUIT.COM](http://WWW.PANDUIT.COM) FOR A LIST OF CURRENT PARTS APPLICABLE FOR USE WITH THIS PRODUCT.
2. DIMENSIONS IN [ ] ARE METRIC.
3. ALL MATERIALS AND COMPONENTS USED MEET THE MATERIAL RESTRICTIONS OF RoHS (EUROPEAN DIRECTIVE 2011/65/EU ON THE RESTRICTION OF HAZARDOUS SUBSTANCES) AS PROPOSED BY THE RoHS TECHNICAL ADAPTATION COMMITTEE.
4. WEIGHT: 6.15 lb/10 PCS [2788 g/10 PCS]
5. PART INCLUDES:
  - (1) -48 PORT STAMING
  - (6) -8 POSITION FACEPLATE (ASSEMBLED TO PANEL)
  - (1) -SCREW KIT (INCLUDES (4) #12-24 SCREWS & (4) LOCK WASERS)
6. DIMENSIONS IN [ ] ARE METRIC
7. CPP48HDEWBL IS BLACK PARTS WITH WHITE LETTERING. CPP48HDEWWH IS WHITE PARTS WITH BLACK LETTERING.



DETAIL A  
SCALE 1:2  
DETAIL VIEW OF LABEL AREA

THIS PATCH PANEL WILL ACCEPT RJ45 COPPER CONECTORS. FIBER AND AV MODULES WILL NOT FIT CORRECTLY YO SCEPT THEIR MATING PLUG.

PART NUMBER		CPP48HDEWBL, CPP48HDWEWWH		
TITLE		MINI-COM 48 PORT HIGH DENISTY MODULAR PATCH PANEL WITH ENHANCED LABELING AREA		
ITEM REVISION NAME		CUSTOMER DRAWING		
DATASET FILE NAME		M00741FE/03		
MATERIAL		M00741FE_DC118/03A		
THIRD ANGLE PROJECTION				
DRAWING NUMBER		20 GAGE C.R.S.		
DRAWN BY		00741-118		
DATE		M00741FE/03		
CHK		M00741FE_DC118/03A		
SCALE		THIRD ANGLE PROJECTION		
SHEET 1 OF 1		PANDUIT		
REV		DRAWING NUMBER		
DATE		00741-118		
BY		M00741FE/03		
CHK		M00741FE_DC118/03A		
APR		THIRD ANGLE PROJECTION		
DESCRIPTION		20 GAGE C.R.S.		
ECN		00741-118		
JSP		M00741FE/03		
DATE		M00741FE_DC118/03A		
CHK		THIRD ANGLE PROJECTION		
SCALE		20 GAGE C.R.S.		
SHEET 1 OF 1		PANDUIT		
REV		DRAWING NUMBER		
DATE		00741-118		
BY		M00741FE/03		
CHK		M00741FE_DC118/03A		
APR		THIRD ANGLE PROJECTION		
DESCRIPTION		20 GAGE C.R.S.		
ECN		00741-118		

A-SIZE CUSTOMER