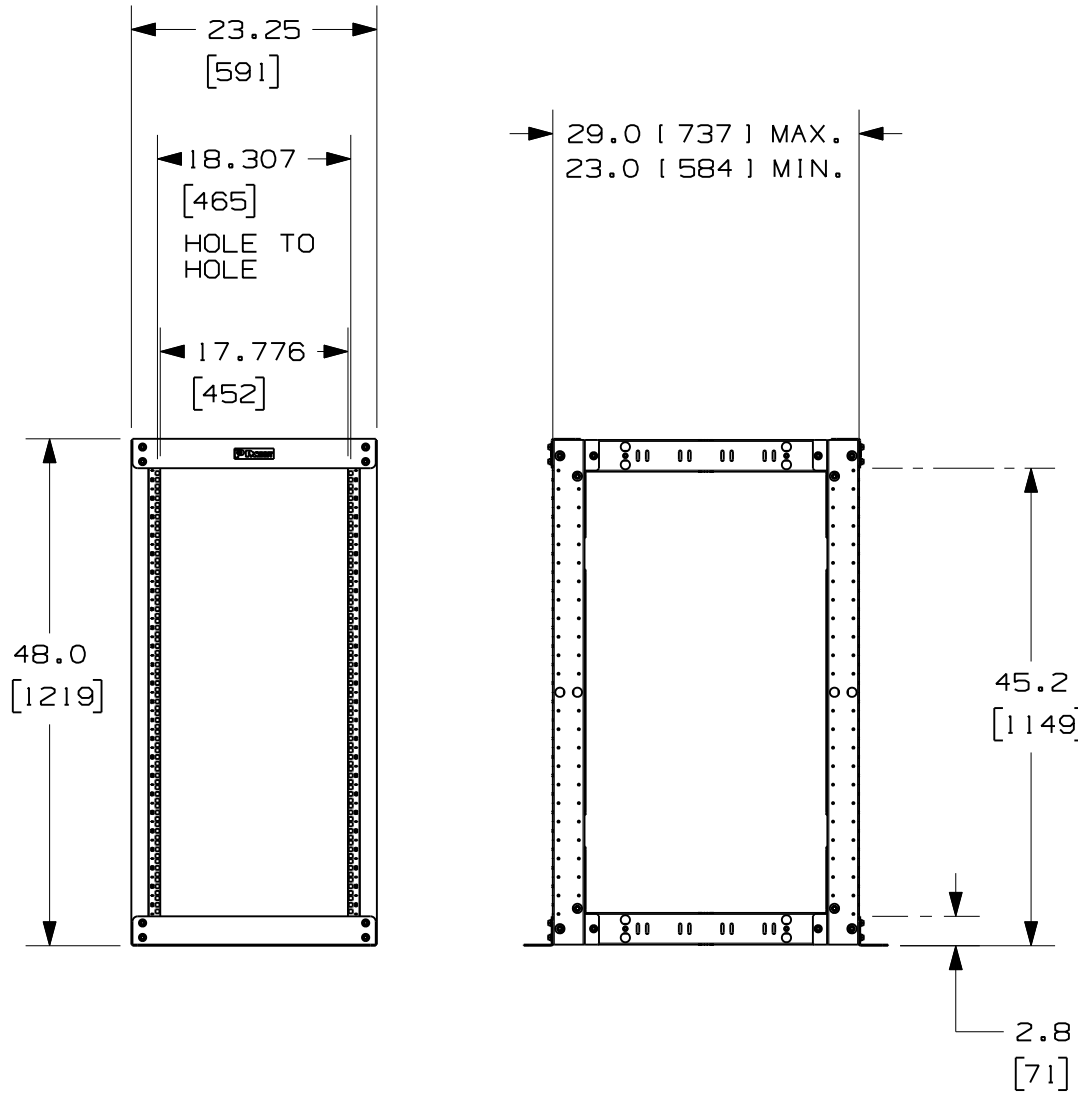


THIS COPY IS PROVIDED ON A RESTRICTED BASIS AND IS NOT TO BE USED IN ANY WAY DETRIMENTAL TO THE INTERESTS OF PANDUIT CORP.

PANDUIT P/N	WEIGHT
IAR4P48CN	72.0 LBS/EACH 33 Kg/EACH

NOTES:

- VISIT OUR ON-LINE CATALOG AT [WWW.PANDUIT.COM](http://WWW.PANDUIT.COM) FOR A LIST OF CURRENT PARTS APPLICABLE FOR USE WITH THIS PRODUCT.
- DIMENSIONS IN PARENTHESIS ARE METRIC.
- ADJUSTABLE FRONT TO BACK RAILS CAN BE ADJUSTED TO EITHER 23" [584mm] OR 29" [737mm] IN DEPTH.
- CAN BE USED WITH ANY EIA STANDARD COMPONENT IN ADDITION TO ALL PANDUIT HORIZONTAL CABLE MANAGEMENT AND PATCH PANEL PRODUCTS.
- 24 AVAILABLE RACK SPACES.
- EIA UNIVERSAL STANDARD HOLE PROGRESSION ON FRONT CHANNELS AND REAR MOUNT RAILS .625", .625", .500", .625", .625", .500"... ETC.
- ALL RACKS WILL HAVE NUMBERS UP ORIENTATION (RU "01" ON BOTTOM, RU "24" ON TOP).
- RU SPACING NUMBERS ARE CLEARLY PRINTED ON MOUNTING RAILS.
- ALL ASSEMBLY HARDWARE INCLUDED:
  - (16) 3/8-16 X 1" HEX BOLT
  - (16) 3/8" PAINT PIERCING GROUNDING WASHER
  - (40) 5/16-18 SERRATED HEAD BOLTS
  - (1) TUBE OF ANTI-OXIDIZING PASTE
  - (1) BAG OF #12-24 CAGE NUTS (25)
  - (1) BAG OF #12-24 SCREWS (25)
- FULLY BONDED STRUCTURE WHEN ASSEMBLED PER INSTRUCTIONS.
- LOAD RATING - 2000 LBS (907Kg).

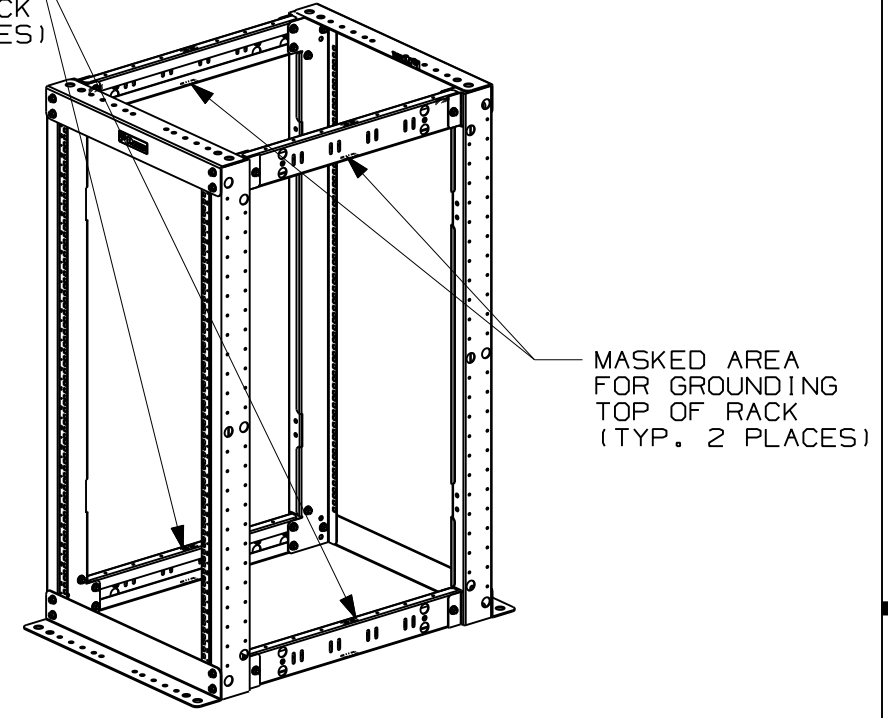
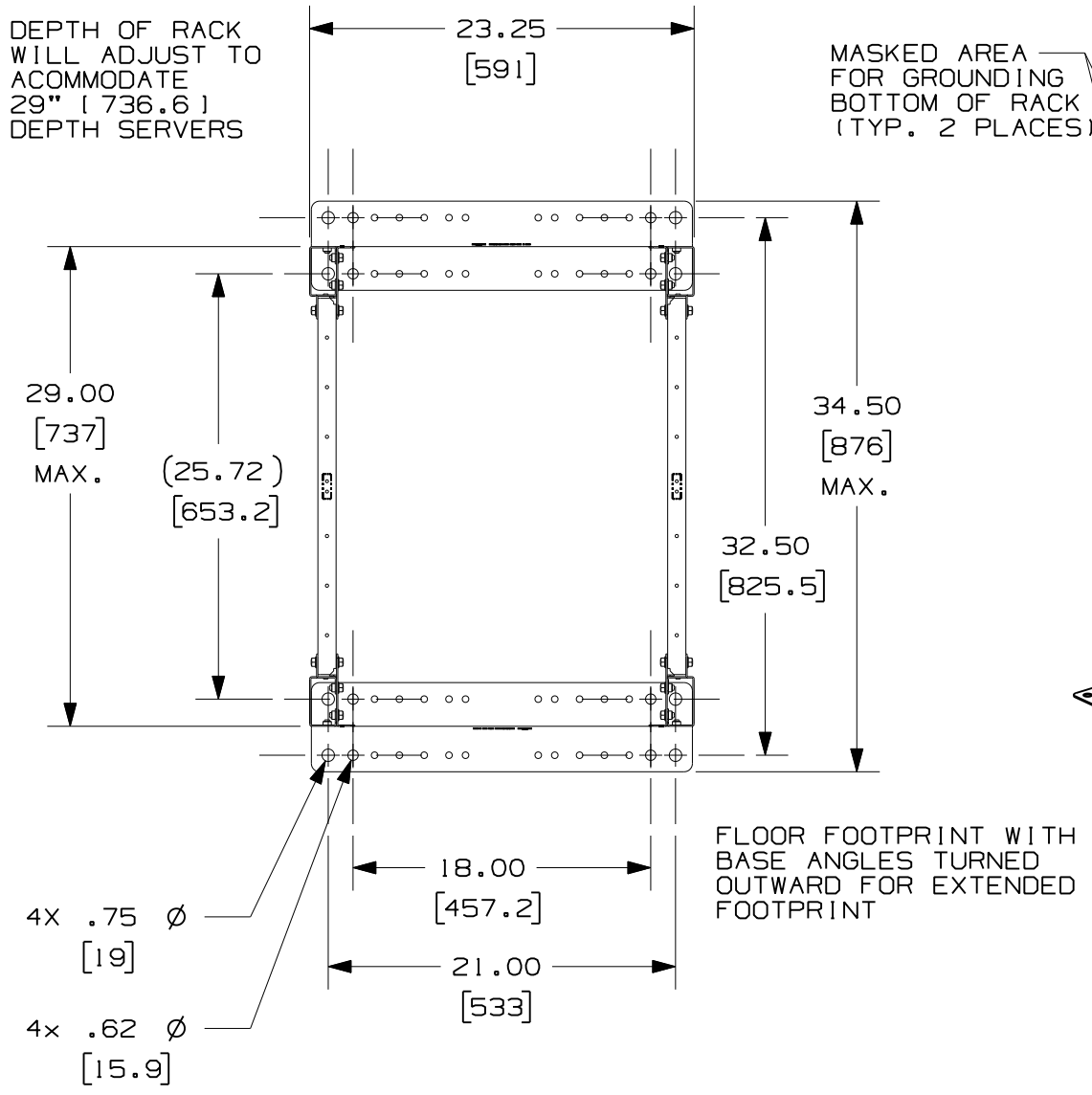


MODEL FILENAME		12V312AA/01.PRT	
CAD FILENAME/LAYERS		12V312AA_DC/01A.PRT	
<h1>PANDUIT</h1> CORP. TINLEY PARK, ILLINOIS			
INDUSTRIAL 4-POST RACK 24RU CAGE NUT RAILS (IAR4P48CN) CUSTOMER DRAWING			
UNLESS OTHERWISE SPECIFIED, DIMENSIONAL TOLERANCES ARE:		UNLESS OTHERWISE SPECIFIED, ALL DIMENSIONS ARE GIVEN IN INCHES, THIRD ANGLE PROJECTION.	
(.X) ±		(.XXX) ±	
(.XX) ±		ANGLES ±	
DRAWN BY	MAT'L:	SCALE	NONE
BKA	STEEL	DRAWING NO.	12V312AA-DC SHEET 1 OF 2
DATE		DWG	
9/23/2012		A	
CHK'D			
BAME			

REV	DATE	BY	CHK	DESCRIPTION	ECN	R	CUST	SUP	OTH
01A	11/28/12	BKA	BAME	GEOMETRY UPDATED, RE-RELEASED	12V312AA-DC		CMK		
00A	9/23/12	BKA	BAME	RELEASED TO PRODUCTION	12V312AA-DC		CMK		

12V312AA/01

THIS COPY IS PROVIDED ON A RESTRICTED BASIS AND IS NOT TO BE USED IN ANY WAY DETRIMENTAL TO THE INTERESTS OF PANDUIT CORP.



FLOOR FOOTPRINT WITH  
BASE ANGLES TURNED  
OUTWARD FOR EXTENDED  
FOOTPRINT

MODEL FILENAME	12V312AA/01
CAD FILENAME/LAYERS	12V312AA_DC/01A
<b>PANDUIT</b> CORP. TINLEY PARK, ILLINOIS	
INDUSTRIAL 4-POST RACK 24RU CAGE NUT RAILS (IAR4P48CN) CUSTOMER DRAWING	

UNLESS OTHERWISE SPECIFIED, DIMENSIONAL TOLERANCES ARE: (.X) ± (.XXX) ± (.XX) ± ANGLES ±	UNLESS OTHERWISE SPECIFIED, ALL DIMENSIONS ARE GIVEN IN INCHES, THIRD ANGLE PROJECTION.
---	---

REV	DATE	BY	CHK	DESCRIPTION	ECN	R	CUST	SUP	OTH	DRAWN BY	MAT'L	SCALE	DRAWING NO.	DWG SIZE	
O1A	11/28/12	BKA	BAME	SEE SHEET 1 OF 2 FOR REVISIONS	12V312AA-DC		CMK			BKA	STEEL	NONE	12V312AA-DC SHEET 2 OF 2	A SIZE	
O0A	9/23/12	BKA	BAME	SEE SHEET 1 OF 2 FOR REVISIONS	12V312AA-DC		CMK			DATE 9/23/2012					
										CHK'D BAME					