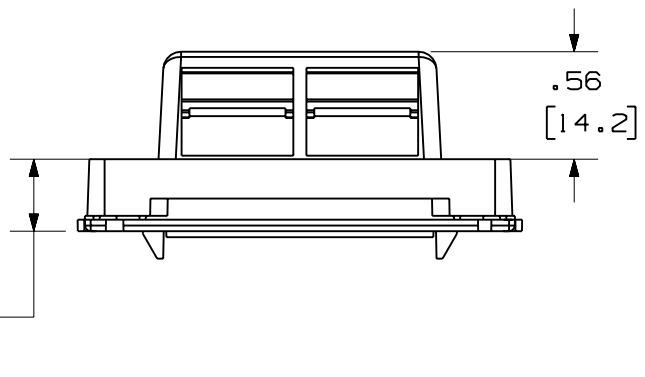
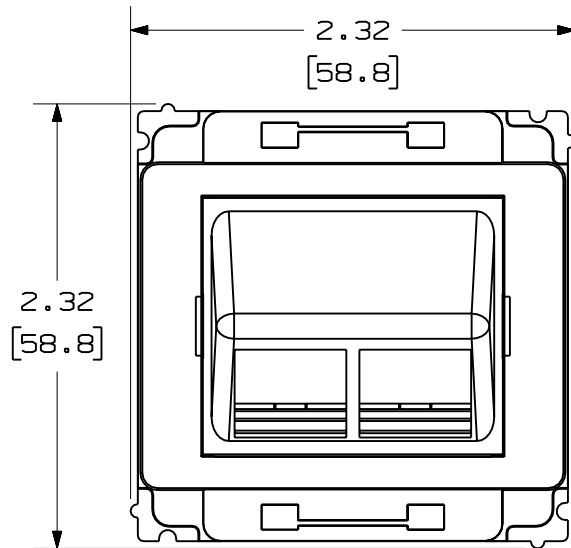
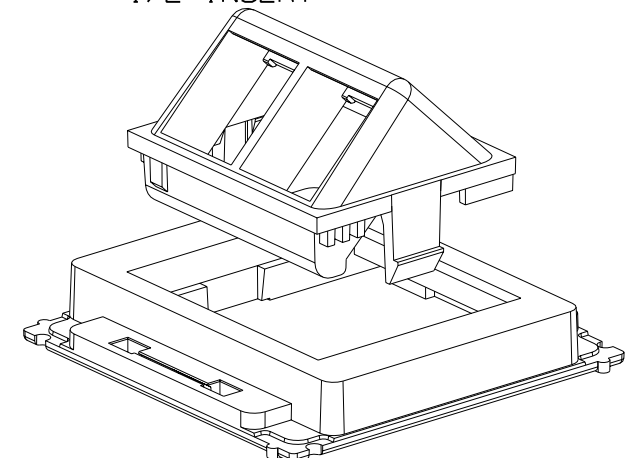


THIS COPY IS PROVIDED ON A RESTRICTED BASIS AND IS NOT TO BE USED IN ANY WAY DETRIMENTAL TO THE INTERESTS OF PANDUIT CORP.



PANDUIT P/N	WEIGHT
NKLNK66S2**	1.85 LB/10 PCS (84.1 g/10 PCS)

- NOTES:
- SEE CURRENT CATALOG FOR ADDITIONAL PART NUMBER SUFFIXES TO INDICATE COLOR AND OR PACKAGE QUANTITY.
 - SEE CATALOG FOR COMPLETE LIST OF PARTS APPLICABLE FOR USE WITH THIS PART.
 - DIMENSIONS IN () ARE IN METRIC.
 - PART INCLUDES:
 - 1- OPUS 66™ FACEPLATE ADAPTER
 - 1- 2 POSITION NETKEY SLOPED 1/2 INSERT



OPUS 66 IS A TRADEMARK OF LAURITZ KNUDSEN A/S BULLERUP, DENMARK

MODEL FILENAME	M00741FM_NKLNK66S2_00.PRT	SIZE	A
DRAWING FILENAME	M00741FM_DC_04A.PRT		

NETKEY 2 POSITION DENMARK
OPUS 66™ SLOPED FACEPLATE
CUSTOMER DRAWING

<p>PANDUIT™ CORP. TINLEY PARK, ILL 60477</p>	I.I. NUMBER	N/A
	PRODUCT SPEC	N/A
<p>THIRD ANGLE PROJECTION</p>	WORK INSTRUCTION	N/A
	SCALE	NONE
DRAWN BY JsP	MATERIAL:	PART NO. NKLNK66S2**
DATE 1-12-06	INSERT- ABS ADAPTER- PC	DRAWING NO. 00741-86
CHK'D		

REV	DATE	BY	CHK	DESCRIPTION	ECN	R	CUST	SUP	OTH
R	1-12-06	JsP		RELEASED TO PRODUCTION	00741-86				