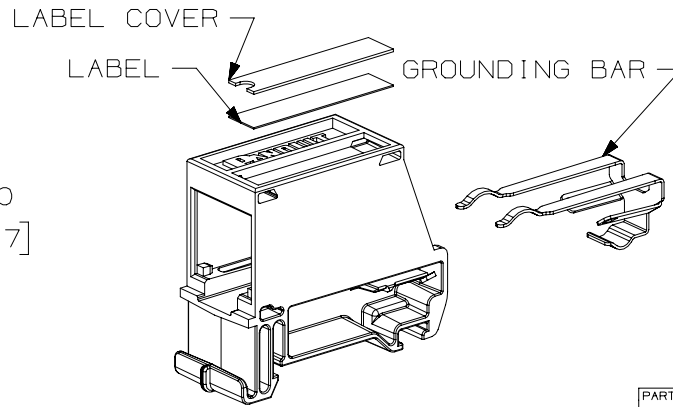
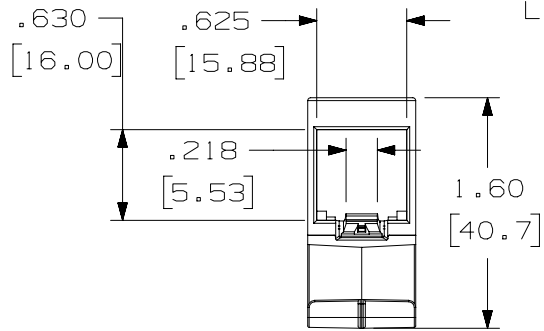
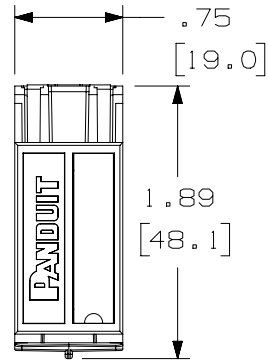
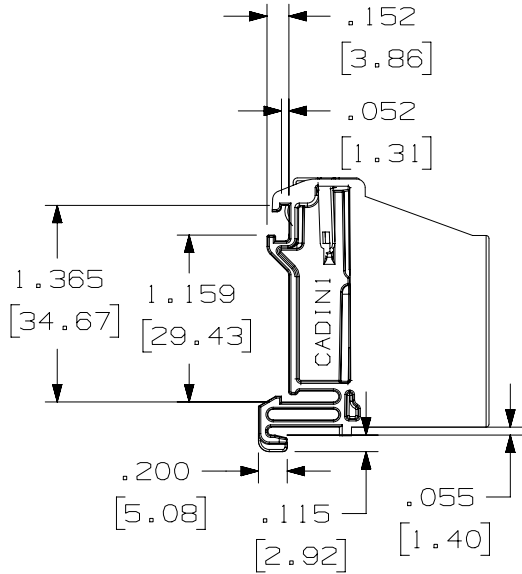


THIS COPY IS PROVIDED ON A RESTRICTED BASIS AND IS NOT TO BE USED IN ANY WAY DETRIMENTAL TO THE INTERESTS OF PANDUIT CORP.



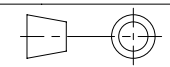
- NOTES:
1. SEE CURRENT CATALOG FOR ADDITIONAL PART NUMBER SUFFIXES TO INDICATE PACKAGE QUANTITY.
 2. SEE CATALOG FOR COMPLETE LIST OF PARTS APPLICABLE FOR USE WITH THIS PART.
 3. DIMENSIONS IN PARENTHESES ARE IN METRIC.
 4. PART INCLUDES:
 - 1- PLASTIC ADAPTER
 - 1- LABEL
 - 1- LABEL COVER
 - 1- GROUNDING BAR (CADIN***-S ONLY)

PANDUIT P/N	WEIGHT
CADINI**	0.55 LB/10PCS [250 g/10 PCS]
CADINI***-S	0.56 LB/10PCS [252 g/10 PCS]

COLOR CODE	COLOR
BL	BLACK
IG	INTERNATIONAL GRAY

PART NUMBER		SEE TABLE	
TITLE		MINI-COM 1 PORT DIN RAIL ADAPTER W/LABEL AND LABEL COVER	
ITEM REVISION NAME		CUSTOMER DRAWING	
DATASET FILE NAME		10M180AA/03	
MATERIAL		10M180AA_DC/03A	
DRAWING NUMBER		10M180AA-DC	
DRAWN BY		TYSH	
DATE		4/17/20	
CHK		MRWA	
SCALE		N/A	
SHEET 1 OF 1		A	

REV	DATE	BY	CHK	APR	DESCRIPTION	ECN
03A	01/23/23	RKA	DAJP	NAGL	UPDATED DRAWING NUMBER IN TITLE BLOCK REMOVED OBSOLETE COLORS	10M180AA-DC



THIRD ANGLE
PROJECTION

A-SIZE CUSTOMER