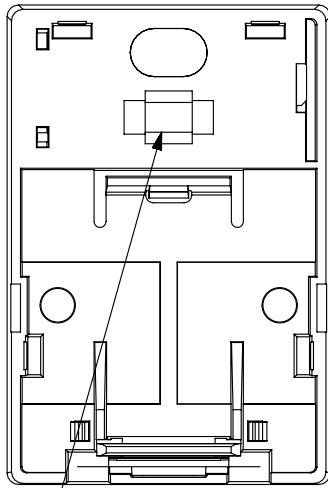
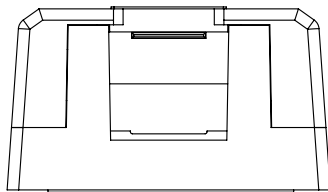


THIS COPY IS PROVIDED ON A RESTRICTED BASIS AND IS NOT TO BE USED IN ANY WAY DETRIMENTAL TO THE INTERESTS OF PANDUIT CORP.

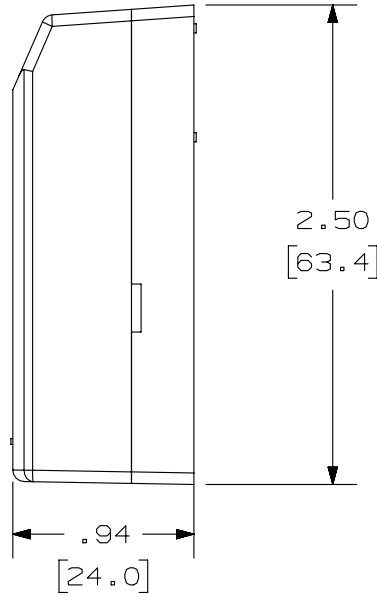
COVER REMOVED FOR CLARITY



PAN-TY LOOP FOR CABLE HOLD-DOWN



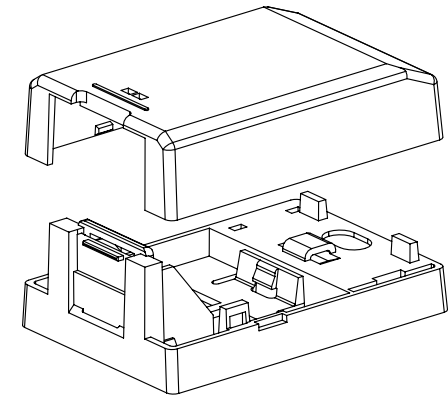
1.68
[42.8]



PANDUIT P/N	WEIGHT
JOS15800Y	.76 LB/10 PCS
JOS15800BL	(344.0 g/10 PCS)

NOTES:

1. SEE CURRENT CATALOG FOR ADDITIONAL PART NUMBER SUFFIXES TO INDICATE COLOR AND OR PACKAGE QUANTITY.
2. SEE CATALOG FOR A COMPLETE LIST OF PARTS APPLICABLE FOR USE WITH THIS PART.
3. DIMENSIONS IN [] ARE IN METRIC.
4. KIT INCLUDES:
 - 1- BOX COVER
 - 1- BOX BASE
 - 1- PLT1M-M PAN-TY
 - 1- MAGNET (ATTACHED) (CSBM-X)
 - 1- MINI-COM MINI-JACK CATEGORY 5e MODULE
5. BASE MATERIAL THICKNESS= .090 [2.29]



PART NUMBER		JOS15800Y, JOS15800BL	
TITLE			
MINI-COM 1 POSITION SHUTTERED SURFACE MOUNT BOX KIT			
CUSTOMER DRAWING			
ITEM REVISION NAME		M02479IN/00	
DATASET FILE NAME		M02479IN_DC224/00D	
UNLESS OTHERWISE SPECIFIED, DIMENSIONAL TOLERANCES ARE: IN [mm]		MATERIAL:	
.x ± .xx ± .03 [.8]		BOX: ABS DOORS: PC	
.xxx ± .010 [.3]		DRAWING NUMBER:	
ANGLES ±		02479-224	
THIRD ANGLE PROJECTION		SHT 1 OF 1	
DRAWN BY	DATE	CHK	SCALE
MDJR	7-15-06	TCK	NONE
REV	DATE	BY	CHK
3	3-19-14	MDJR	REFR
2	3-24-09	JSP	TCK
1	3-13-09	JSP	TCK
R	7-15-06	MDJR	TCK
DESCRIPTION		ECN	
C. UPDATED TITLE BLOCK.		02479-224	
B. ADDED JOS15800BL TO DRAWING.		02479-224	
A. DOOR MATERIAL WAS HIPS.		02479-224	
RELEASED TO PRODUCTION		02479-224	

D10100DA/14