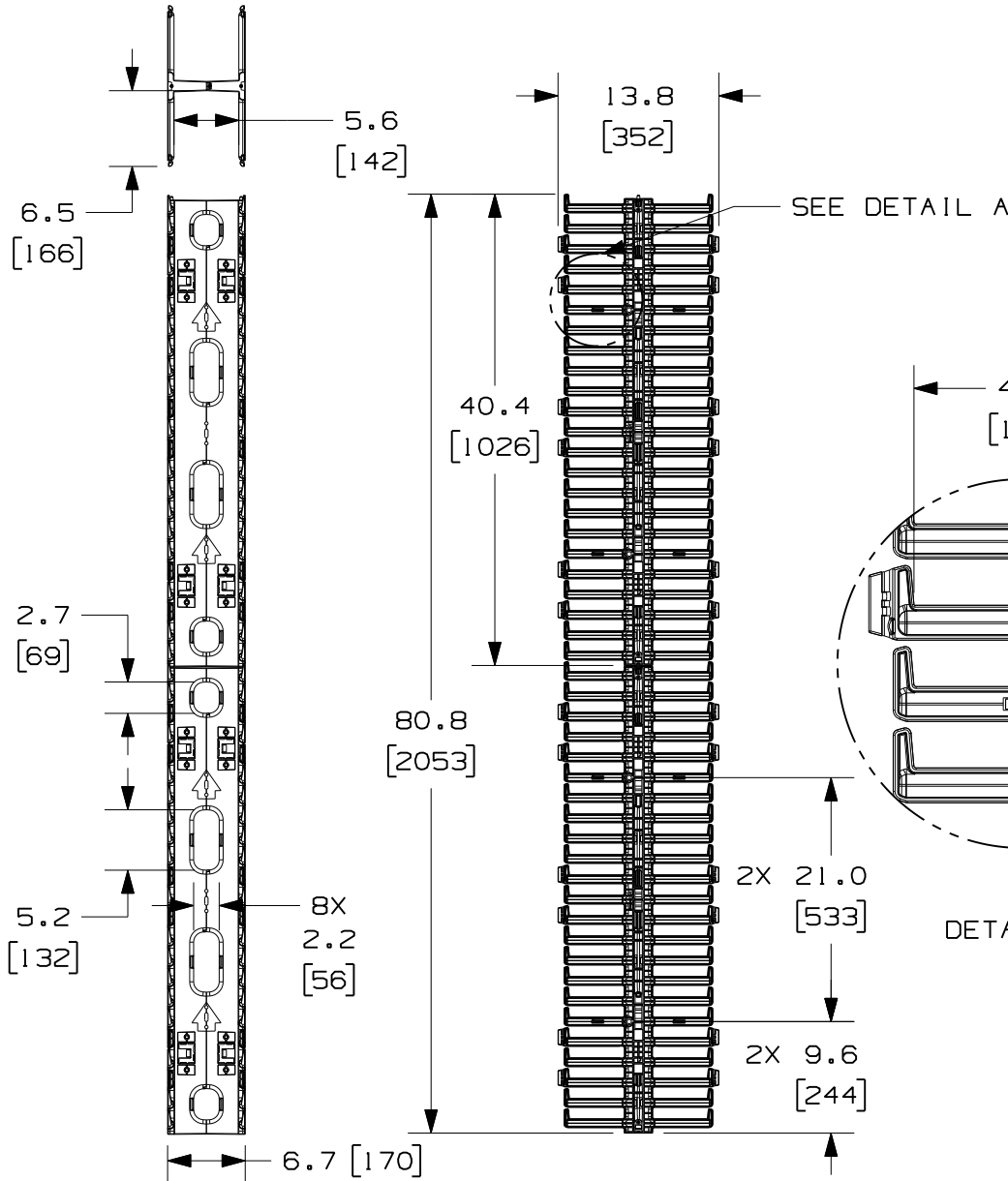


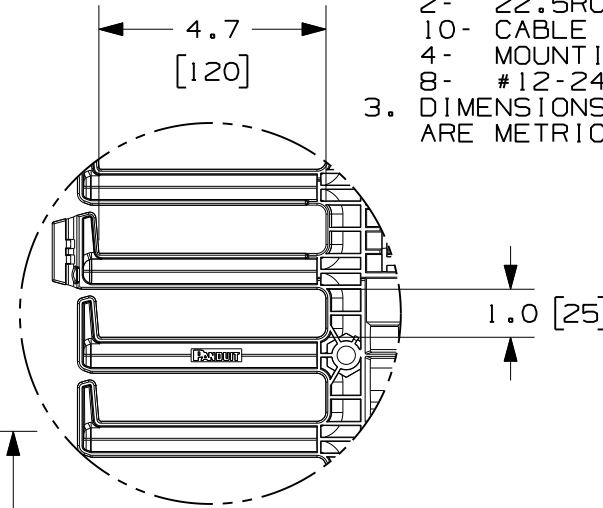
THIS COPY IS PROVIDED ON A RESTRICTED BASIS AND IS NOT TO BE USED IN ANY WAY DETRIMENTAL TO THE INTERESTS OF PANDUIT CORP.



PANDUIT P/N	WEIGHT
NRV6	17.7 LBS/EACH 8.1 Kg/EACH

NOTES:

- VISIT OUR ON-LINE CATALOG AT WWW.PANDUIT.COM FOR A CURRENT LIST OF PRODUCTS APPLICABLE FOR USE WITH THIS PART.
- COMPONENTS:
2- 22.5RU CABLE MANAGEMENT SECTIONS
10- CABLE RETAINERS
4- MOUNTING BRACKETS
8- #12-24 X 1/2" SCREWS
- DIMENSIONS IN PARENTHESIS ARE METRIC.



DETAIL A

MODEL FILENAME	V10661AB/01
CAD FILENAME/LAYERS	V10661AB_DC/01A
PANDUIT CORP. TINLEY PARK, ILLINOIS	
NETRUNNER HIGH CAPACITY VERTICAL MANAGER, FRONT AND BACK, 6" WIDE (NRV6) CUSTOMER DRAWING	

UNLESS OTHERWISE SPECIFIED, DIMENSIONAL TOLERANCES ARE:
(.X) ± (.XXX) ±
(.XX) ± ANGLES ±

UNLESS OTHERWISE SPECIFIED, ALL DIMENSIONS ARE GIVEN IN INCHES, THIRD ANGLE PROJECTION.

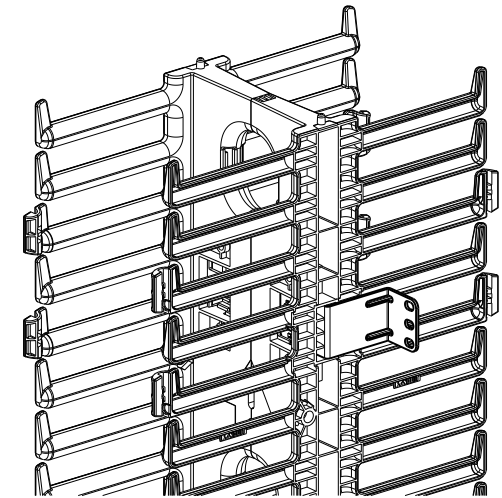
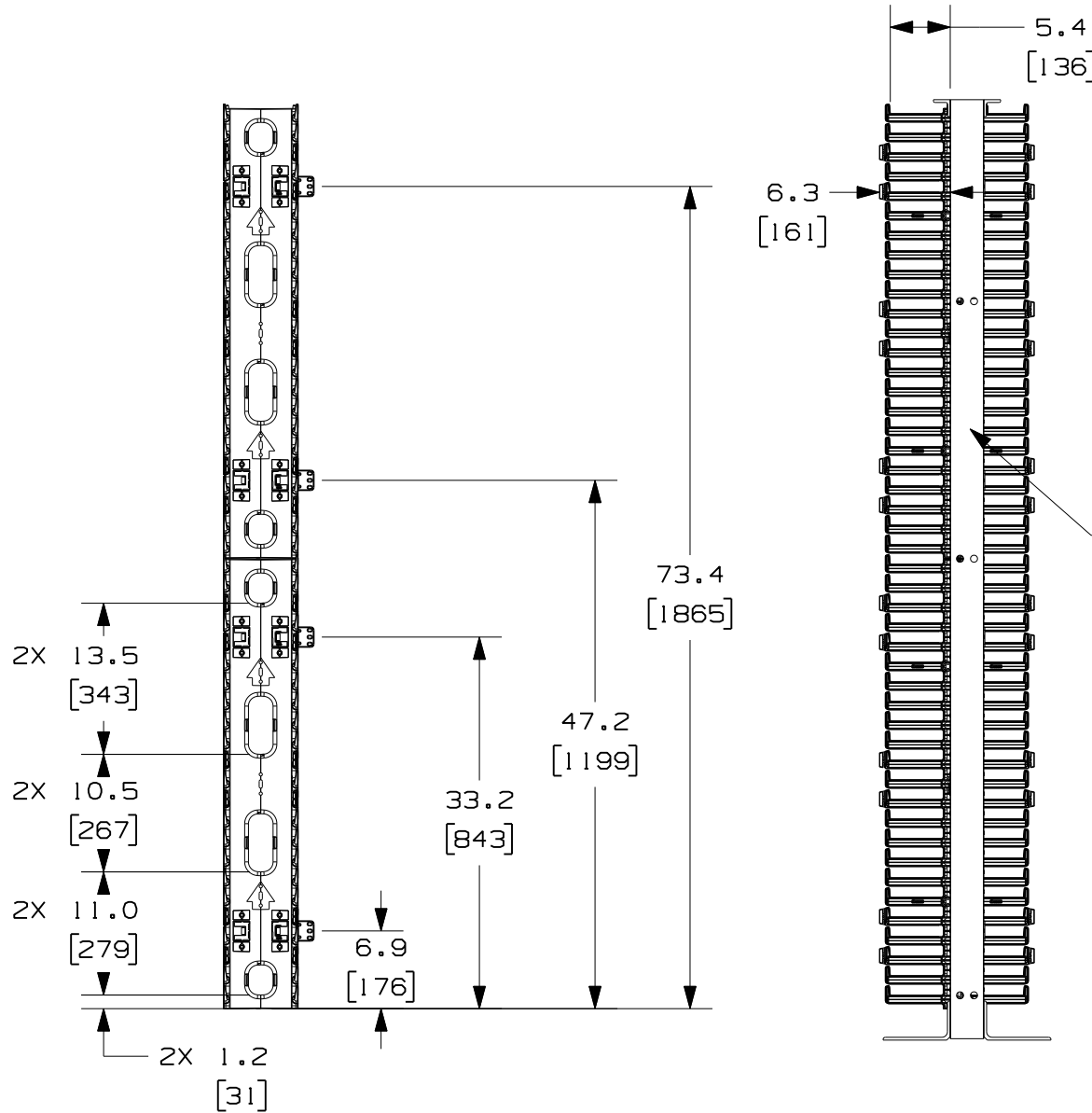
REV	DATE	BY	CHK	DESCRIPTION	ECN	R	CUST	SUP	OTH
O1A	12-14-10	BAME	NAGL	PROJECTION UPDATED			V10661AB-DC		
O0A	3-6-09	BAME	NAGL	RELEASED			V10661AB-DC		

DRAWN BY	BAME
DATE	3-6-09
CHK'D	NAGL

MAT'L:	CABLE MANAGER- ABS CABLE RETAINER- POLYCARBONATE
--------	---

SCALE	NONE
DRAWING NO.	V10661AB-DC
SHEET	1 OF 2
DWG SIZE	A

THIS COPY IS PROVIDED ON A RESTRICTED BASIS AND IS NOT TO BE USED IN ANY WAY DETRIMENTAL TO THE INTERESTS OF PANDUIT CORP.



CMR19X84 RACK

MODEL FILENAME		V10661AB/01	
CAD FILENAME/LAYERS		V10661AB_DC/01A	
<h1>PANDUIT</h1> CORP. TINLEY PARK, ILLINOIS			
NETRUNNER HIGH CAPACITY VERTICAL MANAGER, FRONT AND BACK, 6" WIDE (NRV6) CUSTOMER DRAWING			
UNLESS OTHERWISE SPECIFIED, DIMENSIONAL TOLERANCES ARE:		UNLESS OTHERWISE SPECIFIED, ALL DIMENSIONS ARE GIVEN IN INCHES, THIRD ANGLE PROJECTION.	
(.X) ±		(.XXX) ±	
(.XX) ±		ANGLES ±	
DRAWN BY	MAT'L:	SCALE	
BAME	CABLE MANAGER - ABS CABLE RETAINER - POLYCARBONATE	NONE	
DATE		DRAWING NO.	DWG
3-6-09		V10661AB-DC	A
CHK'D		SHEET 2 OF 2	SIZE
NAGL			

REV	DATE	BY	CHK	DESCRIPTION	ECN	R	CUST	SUP	OTH
O1A	12-14-10	BAME	NAGL	SEE SHEET 1 OF 2 FOR REVISIONS	V10661AB-DC				
OOA	3-6-09	BAME	NAGL	SEE SHEET 1 OF 2 FOR REVISIONS	V10661AB-DC				