

Category 6A UTP Modular Plug for Vari-Matrix Plenum 23 AWG Solid Cable

SPECIFICATIONS

Category 6A/Class E_A, 8-position, 8-wire, UTP modular plug shall terminate Panduit PUP6AHD04*-G Plenum, 4-pair, 23 AWG, 100 ohm, solid unshielded twisted pair cable with conductor insulation diameter range of 0.040 in. (1.01mm) to 0.046 in. (1.17mm) and jacket diameter range of 0.220 in. (5.58mm) to 0.240 in. (6.10mm).



TECHNICAL INFORMATION

Category 6A/Class E_A component performance:	Exceeds ANSI/TIA-568.2-D Category 6A and ISO 11801 Class E _A performance requirements when properly terminated to Panduit Category 6A UTP copper cable
Cable jacket diameter range:	0.220 in. (5.58mm) - 0.240 in. (6.10mm)
Conductor insulation diameter range:	0.040 in. (1.01mm) - 0.046 in. (1.17mm)
IEC compliance:	IEC-60603-7
PoE compliance:	Supports IEEE 802.3bt PoE, PoE+, and proposed Type 3 and 4 PoE++
RoHS compliance:	Compliant
Conductor termination:	Compatible with TX6A™ UTG 20 System, Vari-MaTriX, 23 AWG, Plenum, UTP Copper Cable
Plug Housing:	UL94V-0 rated clear Polycarbonate
Contacts:	Gold plated phosphor bronze
Operating temperature:	14°F to 140°F (-10°C to 60°C)
Storage temperature:	-40°F to 158°F (-40°C to 70°C)

KEY FEATURES AND BENEFITS

Patented tangle-free latch:	Prevents snags and provides easy release, saving time and providing reliability on frequent moves, adds, and changes
Robust construction:	Rated to 2500 mating cycles

APPLICATIONS

Category 6A plugs allow customers to meet performance requirements in ISO 11801 Class E_A, IEEE 802.3an-2006 and ANSI/TIA-568.2-D Category 6A standards to support transmission at speeds up to and including 10GBASE-T. These plugs can be used in applications with data centers and connections to high end workstations such as stacking switches and switch-to-switch links, storage area networks, aggregation of Gigabit Ethernet channels, real-time intensive financial transactions, streaming video, animation, scientific modeling, and medical imaging.

Category 6A UTP Plenum 23 AWG

100/pack: SP6X88PHD-C

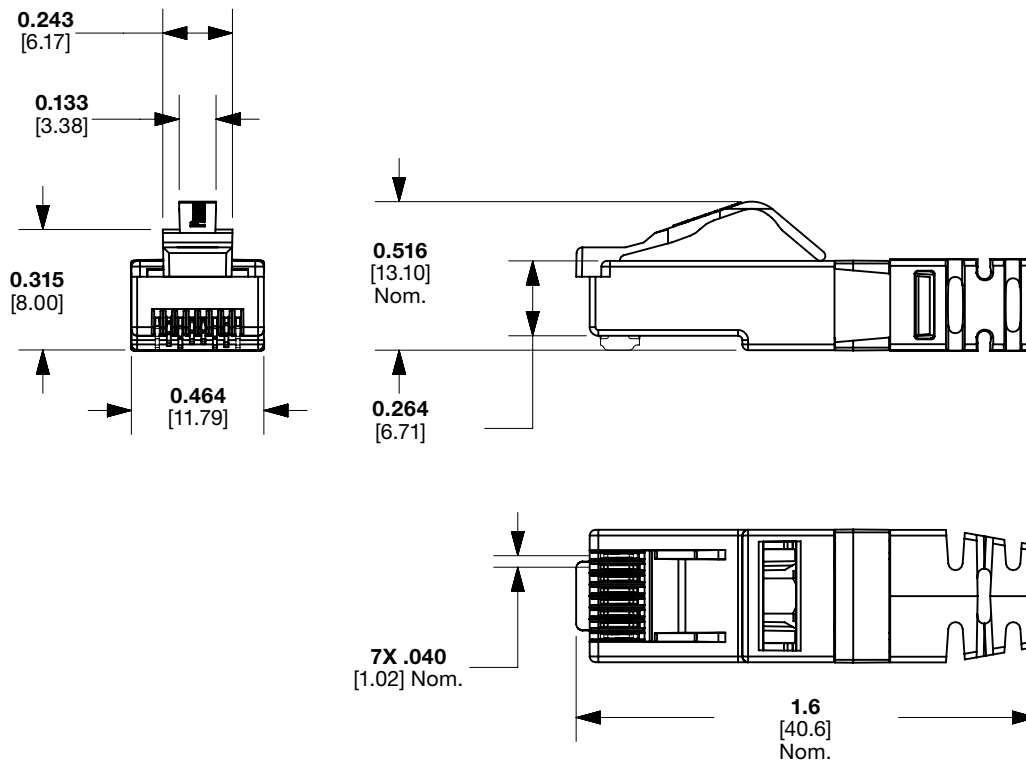
Tools and Accessories

Termination Tool:	CSPT
Crimp Tool:	MPT5-8AS
RJ45 Plug Lock-In Device (Standard):	PSL-DCPLE*
RJ45 Plug Lock-In Device (Recessed):	PSL-DCPLRE*

*Colors other than Red: -BL (Black), -IW (Off White), -YL (Yellow), or -OR (Orange)

Category 6A UTP Modular Plug for Vari-Matrix Plenum 23 AWG Solid Cable

ENGINEERING DRAWINGS



Dimensions are in inches. [Dimensions in brackets are metric].

WORLDWIDE SUBSIDIARIES AND SALES OFFICES

PANDUIT US/CANADA
Phone: 800.777.3300

PANDUIT EUROPE LTD.
London, UK
Phone: 44.20.8601.7200

PANDUIT SINGAPORE PTE. LTD.
Republic of Singapore
Phone: 65.6305.7575

PANDUIT JAPAN
Tokyo, Japan
Phone: 81.3.6863.6000

PANDUIT LATIN AMERICA
Guadalajara, Mexico
Phone: 52.33.3777.6000

PANDUIT AUSTRALIA PTY. LTD.
Victoria, Australia
Phone: 61.3.9794.9020

For a copy of Panduit product warranties, log on to www.panduit.com/warranty

For more information

Visit us at www.panduit.com
Contact Customer Service by email: cs@panduit.com
or by phone: 800.777.3300

PANDUIT[®]

© 2024 Panduit Corp.
ALL RIGHTS RESERVED.
COSP578-WW-ENG
01/2024