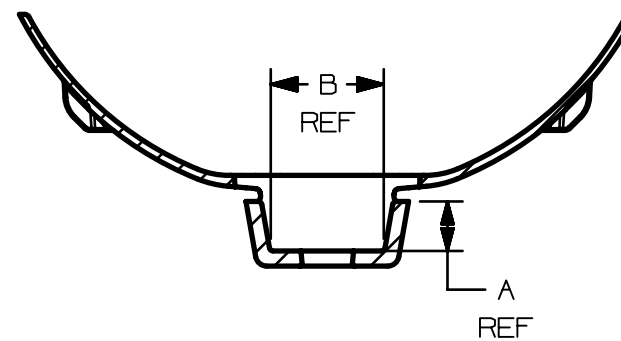
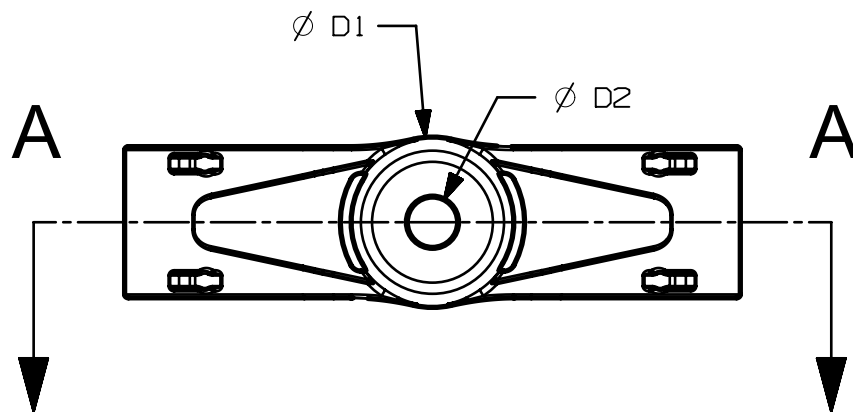
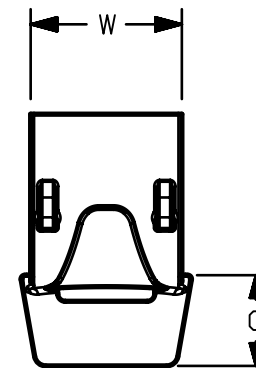
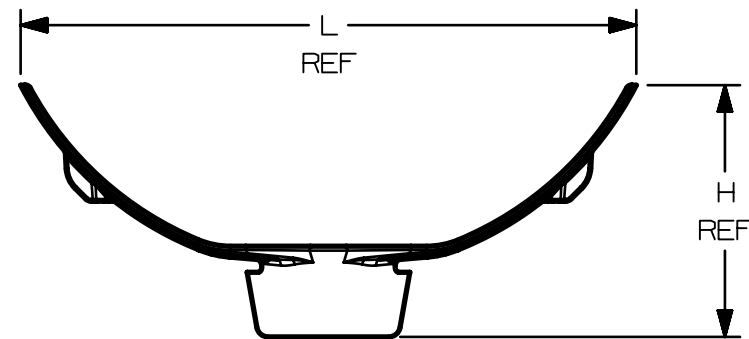


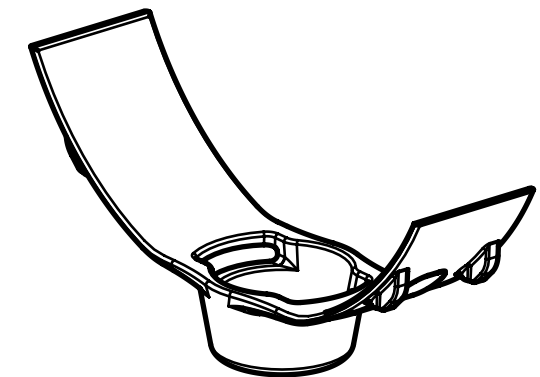
PART NUMBER	"L" REF	"W" REF	"H" REF	"A" REF	"B" REF.	"C" REF	Ø D1	Ø D2	MOUNTING BOLT SIZE	USE WITH CABLE TIES	WEIGHT GRAMS/100 PC
TMWCS6-C350	3.2 [81.3]	0.8 [20.3]	1.3 [33.3]	0.27 [6.86]	0.6 [15.2]	0.5 [12.7]	0.9 [22.8]	0.26 [6.60]	1/4" [M6]	S LH H EH	400

NOTES:

1. SEE www.panduit.com FOR CURRENT PART NUMBER SUFFIX DESIGNATION AND FOR PACKAGE SIZE, PART COLOR, AND MATING COMPONENTS.
2. MATERIAL: PA6.6 HEAT STABLE, WEATHER RESISTANT IMPACT MODIFIED; BLACK IN COLOR
3. FINISH: PLAIN
4. CONTINUOUS OPERATING TEMPERATURE: -60° C TO 115° C.
5. DIMENSIONS IN BRACKETS ARE METRIC [mm]
6. DIMENSIONAL VARIANCE IS POSSIBLE DUE TO MOLDING PROCESS RELATED SINK MARKS
7. ALL MATERIALS AND COMPONENTS USED MEET THE MATERIAL RESTRICTIONS OF RoHS (EUROPEAN DIRECTIVE 2011/65/EU ON THE RESTRICTION OF HAZARDOUS SUBSTANCES) AS PROPOSED BY THE RoHS TECHNICAL ADAPTATION COMMITTEE.
8. UNLESS OTHERWISE SPECIFIED DIMENSIONAL TOLERANCES ARE: ±0.030 [0.76]



SECTION A-A



REV	DATE	BY	CHK	APR	DESCRIPTION	ECN
00A	05-19-23	BDK	DAEI	DJSL	RELEASED TO PRODUCTION	128745 r02

TITLE TIE MOUNT WING CLAMP M6 MOUNTING CUSTOMER DRAWING					
ITEM REVISION NAME 01138EAA/00			PANDUIT		
DATASET FILE NAME 01138EAA_DC/00A					
UNLESS OTHERWISE SPECIFIED, DIMENSIONAL TOLERANCES ARE: IN [mm]					
.X ±		.XXX ±		MATERIAL: SEE NOTE	
.XX ±		ANGLES ±		DRAWING NUMBER: 01138EAA-DC	
THIRD ANGLE PROJECTION			SIZE B		
DRAWN BY DJSL	DATE 10-26-22	CHK DAEI	SCALE FULL	SHT 1 OF 1	