

IndustrialNet™ M12 X-Code to RJ45 Panel Mount Adapters



SPECIFICATIONS

IndustrialNet M12 X-code to RJ45 industrial adapters shall be applicable for use in manufacturing as well as other industrial environments and shall meet or exceed the requirements of the ANSI/TIA-568.2-D Category 6A, ISO 11801 Class E_A, IEC 61076-2-109 and ODVA Ethernet/IP[^], PROFINET, and CC-Link standards. The adapter is available in straight and angled versions. The adapter shall incorporate an ingress protection rating of IP20 on the RJ45 side and IP67 on the M12 side when mated.

TECHNICAL INFORMATION

| | |
|---|--|
| Electrical/mechanical performance: | Exceeds channel requirements of ANSI/TIA-568.2-D Category 6A and ISO 11801 Class E _A at swept frequencies up to 500 MHz; meets the requirements of the ODVA EtherNet/IP [^] , PROFINET and CC-Link standards |
| IEC compliance: | Meets IEC 61076-2-109 |
| IP compliance: | Rated IP20 (RJ45) and IP67 (M12 side) |
| UL compliance: | Compliant |
| RoHS compliancy status: | Compliant |
| Configuration: | Connector 1 - RJ45 Jack, Connector 2 - M12 Jack |
| Cable Access: | Angled/Straight |
| Packaging: | 1 unit per polyethylene bag, 15 units per carton |
| Temperature rating: | Operating: -13°F to 176°F (-25°C to 80°C) Storage: -40°F to 185°F (-40°C to 85°C) |

KEY FEATURES AND BENEFITS

| | |
|--|---|
| PA UL V0 housing with 360° shielding: | Ensures secure data transmission in high noise (EMI/RFI) environments for optimal performance |
| Field attachable: | Can be terminated without any special tools for fast installation |
| Suitable for harsh environments: | Withstands light wash down situations and operates in an extended temperature range for use in demanding applications |

APPLICATIONS

The IndustrialNet M12 X-Code to RJ45 Panel Mount Adapter connects the M12 industrial Ethernet with the RJ45 network. A key component to the overall industrial Ethernet application, the adapter is the interface that protects the integrity of the Ethernet data transfer from the switch or PLC out to the devices or up to the horizontal plant backbone. The adapter is fully shielded for use in high noise (EMI/RFI) environments and is appropriate for data transmissions up to 10 Gb/s per IEEE802.3an.

IndustrialNet M12 X-Code to RJ45 Panel Mount Adapters

Straight adapter: ICAM12XRJS

90° angled adapter: ICAM12X90RJS

IndustrialNet Category 5e SF/UTP Copper Cable – TPE Jacket

CM 4-pair, color teal: ISFCH5C04ATL-XG

IndustrialNet Category 6A/6/5e RJ45 Field Terminable Plug

Field terminable plug: ISPS6A88MFA

IndustrialNet Category 5e Shielded 600 V-Rated Patch Cords

CM/CMX, color Teal: ISTPHCH*M**

IndustrialNet DIN Rail Mount Patch Panel

8-port: CDP8RG

Mini-Com® DIN Rail Mount Adapter

1-port: CADIN1IG***

*Lengths: 0.3M, 0.6M, 1M, 2M, 3M, 5M, or 10M

**Colors: TL (Teal), BL (Black), RD (Red), or YL (Yellow)

***Colors other than International Gray: BL (Black), EI (Electric Ivory), IW (Off White), or WH (White).

[^]EtherNet/IP is a trademark of ODVA.

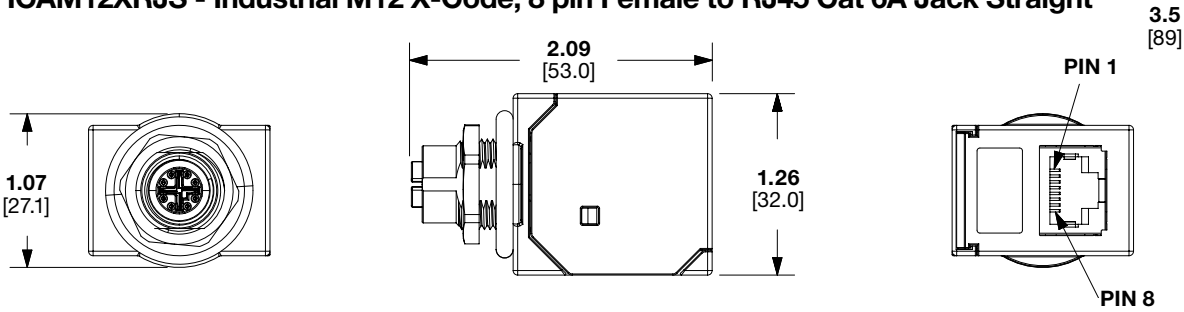


All Part Numbers Compliant with the U.S. Trade Agreements Act (TAA) for purchases shipped to the United States.

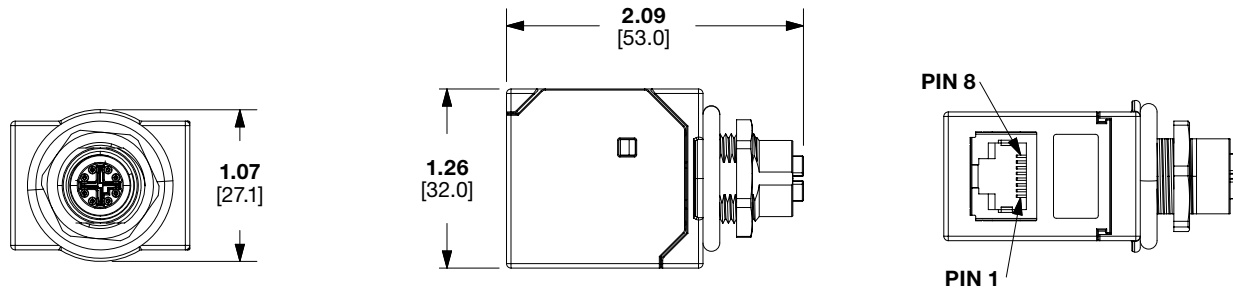
IndustrialNet™ M12 X-Code to RJ45 Panel Mount Adapters

ENGINEERING DRAWINGS

ICAM12XRJS - Industrial M12 X-Code, 8 pin Female to RJ45 Cat 6A Jack Straight

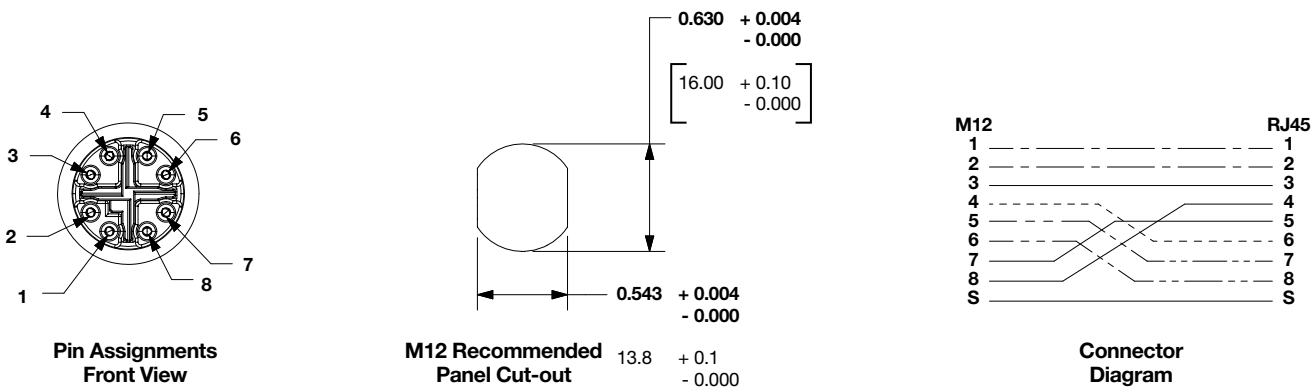


ICAM12X90RJS - Industrial M12 X-Code, 8 pin Female to RJ45 Cat 6A Jack 90-Degree



Dimensions are in inches. [Dimensions in brackets are metric].

Pin Assignments and Recommended M12 Panel Cut-Out



WORLDWIDE SUBSIDIARIES AND SALES OFFICES

PANDUIT US/CANADA
Phone: 800.777.3300

PANDUIT EUROPE LTD.
London, UK
Phone: 44.20.8601.7200

PANDUIT SINGAPORE PTE. LTD.
Republic of Singapore
Phone: 65.6305.7575

PANDUIT JAPAN
Tokyo, Japan
Phone: 81.3.6863.6000

PANDUIT LATIN AMERICA
Guadalajara, Mexico
Phone: 52.33.3777.6000

PANDUIT AUSTRALIA PTY. LTD.
Victoria, Australia
Phone: 61.3.9794.9020

For a copy of Panduit product warranties, log on to www.panduit.com/warranty

PANDUIT®

For more information
Visit us at www.panduit.com
Contact Customer Service by email: cs@panduit.com
or by phone: 800.777.3300

© 2024 Panduit Corp.
ALL RIGHTS RESERVED.
COSP413-WW-ENG
01/2024