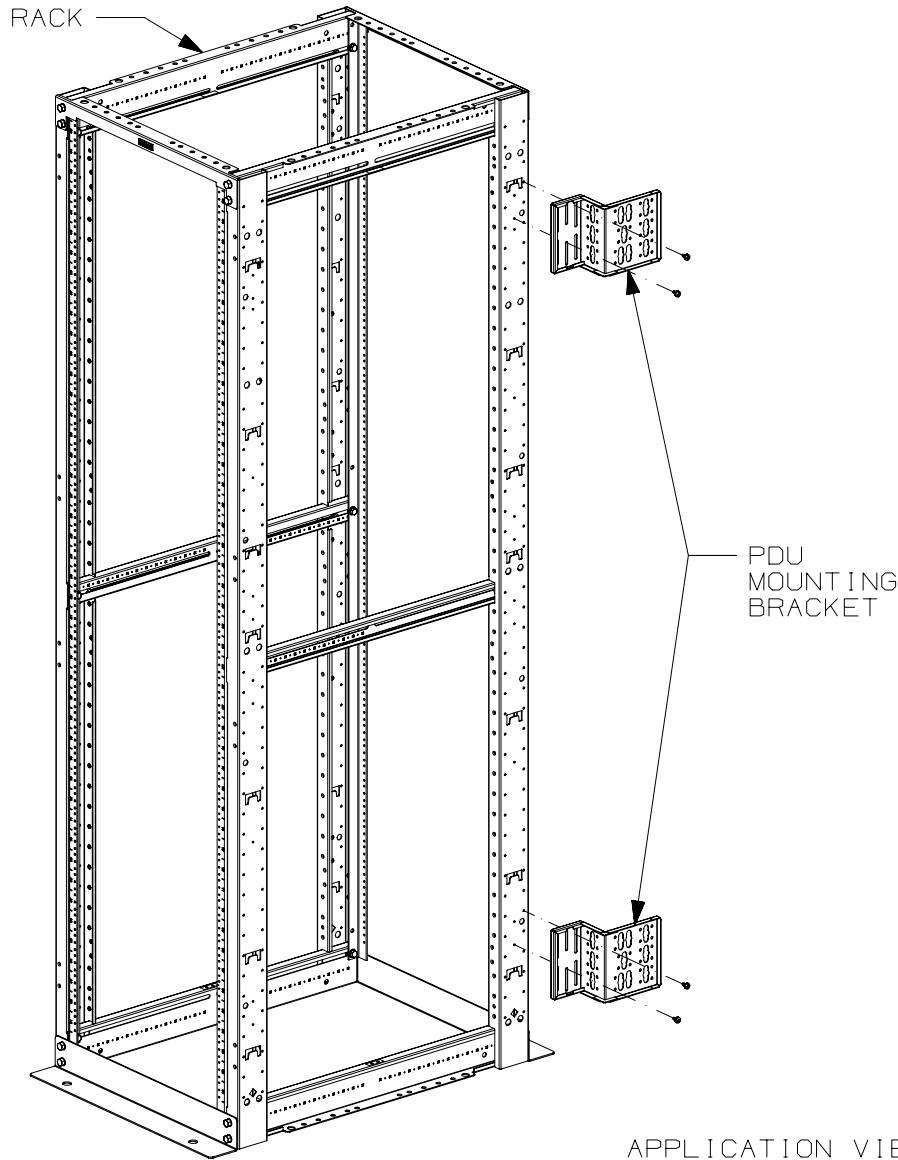
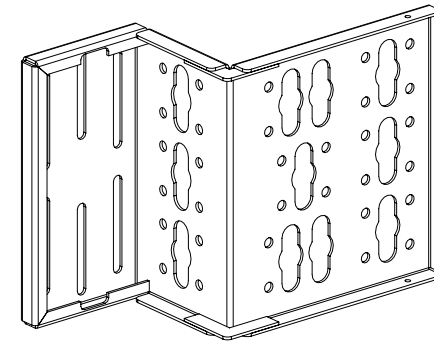


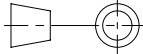
THIS COPY IS PROVIDED ON A RESTRICTED BASIS AND IS NOT TO BE USED IN ANY WAY DETRIMENTAL TO THE INTERESTS OF PANDUIT CORP.



NOTES:

1. VISIT OUR ON-LINE CATALOG AT WWW.PANDUIT.COM FOR A LIST OF CURRENT PARTS APPLICABLE FOR USE WITH THIS PRODUCT.
2. DIMENSIONS IN [] ARE METRIC.
3. ALL MATERIALS AND COMPONENTS USED MEET THE MATERIAL RESTRICTIONS OF RoHS (EUROPEAN DIRECTIVE 2011/65/EU ON THE RESTRICTION OF HAZARDOUS SUBSTANCES) AS PROPOSED BY THE RoHS TECHNICAL ADAPTATION COMMITTEE.
4. WEIGHT: 2.7 lbs [1.2 kg]
5. PART INCLUDES:
 (1) - PAIR OF PDU MOUNTING BRACKETS
 (1) - HARDWARE KIT



PART NUMBER		CVPDUB, CVPDUBWH		
TITLE		PDU VERTICAL MOUNTING BRACKET		
		CUSTOMER DRAWING		
ITEM REVISION NAME		V10502ZH/04		
DATASET FILE NAME		V10502ZH_DC/04B		
		THIRD ANGLE PROJECTION		
MATERIAL		STEEL		
		DRAWING NUMBER		
		V10502ZH-DC		
DRAWN BY	DATE	CHK	SCALE	
TWV	2-20-12	NAGL	NONE	
SHEET 1 OF 2			SIZE	
			A	

REV	DATE	BY	CHK	APR	DESCRIPTION	ECN
04B	6-22-23	TWV	KRKE	KCOR	UPDATED VIEWS	

A-SIZE CUSTOMER

2

1

2

1

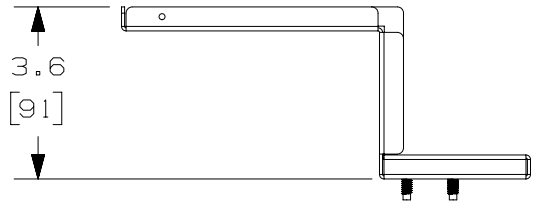
THIS COPY IS PROVIDED ON A RESTRICTED BASIS AND IS NOT TO BE USED IN ANY WAY DETRIMENTAL TO THE INTERESTS OF PANDUIT CORP.

2

1

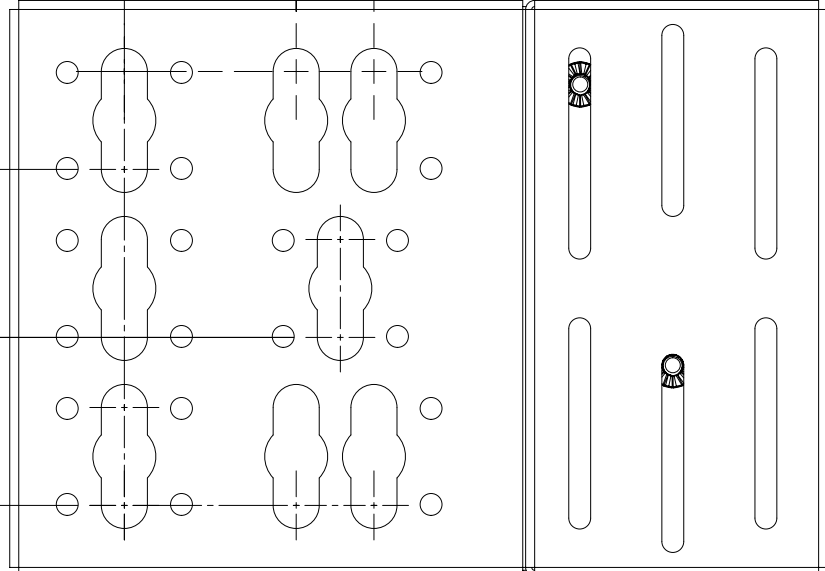
B

B



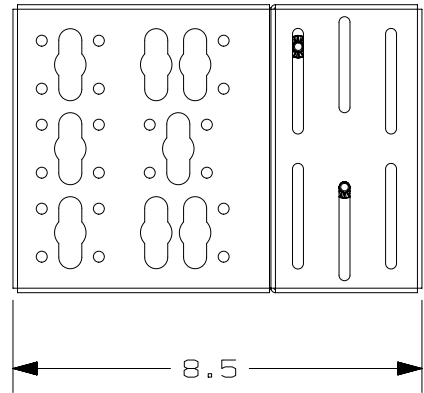
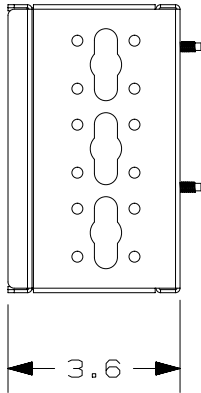
1.79 [45.5] .81 [20.6]

1.75 [44.4]
1.75 [44.4]



←

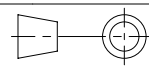
→



6.0 [152]

A

A

PART NUMBER		CVPDUB, CVPDUBWH		
TITLE		PDU VERTICAL MOUNTING BRACKET		
		CUSTOMER DRAWING		
ITEM REVISION NAME		V10502ZH/04		
DATASET FILE NAME		V10502ZH_DC/04B		
		THIRD ANGLE PROJECTION		
MATERIAL		STEEL		
		DRAWING NUMBER		
		V10502ZH-DC		
REV	DATE	BY	CHK	APR
04B	6-22-23	TWV	KRKE	KCOR
SEE SHEET ONE FOR REVISIONS				
DESCRIPTION				
ECN				
DRAWN BY	DATE	CHK	SCALE	SIZE
TWV	2-20-12	NAGL	NONE	A
SHEET 2 OF 2				

2

1

A-SIZE CUSTOMER