

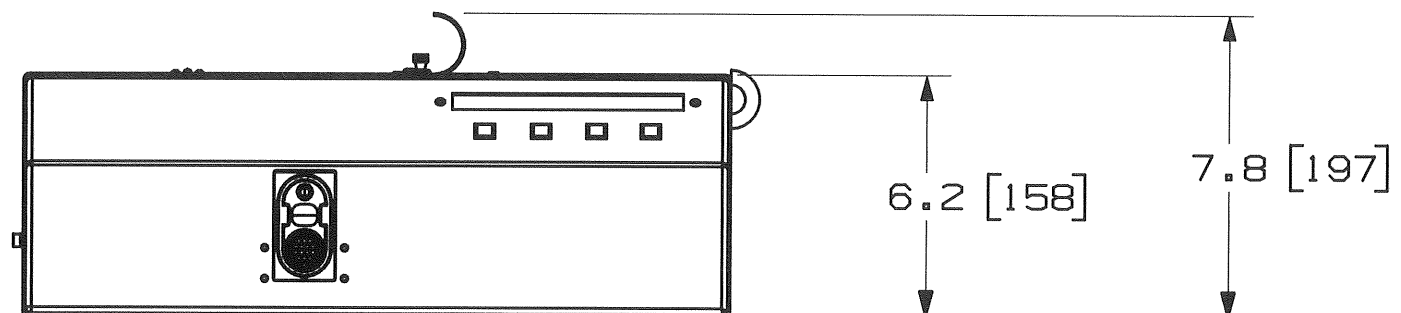
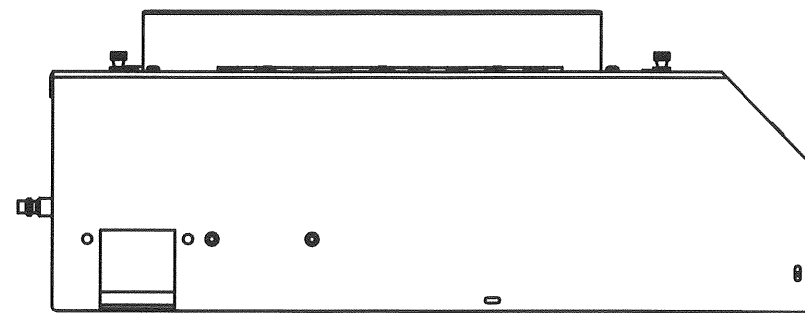
NOTES, UNLESS OTHERWISE SPECIFIED:

DISPENSER WEIGHT: 49.25 LBS. [ 22.3 kg ]  
 ELECTRIC 115-230V ~ 50/60 Hz SINGLE PHASE  
 POWER: 250 WATT

AIR: 65-85 psi [ 4,5 - 5,8 bar ]

AIR CONSUMPTION AT 25 CYCLES PER MINUTE  
 7cfm @ psig [ 3,3 l/sec @ 4,5 bar ]

DIMENSIONS IN BRACKETS ARE IN MILLIMETERS,  
 FOR REFERENCE ONLY.



TOOL DIV.  
 ENGINEERING DEPT.

AUG 18 2009

COPY

|     |        |      |      |             |     |   |      |     |  | CAD FILENAME/LAYERS   |  | R26223BA_DS_WS26223B01/00A   |  |
|-----|--------|------|------|-------------|-----|---|------|-----|--|---|--|--|--|
|     |        |      |      |             |     |   |      |     |  | PANDUIT CORP TINLEY PARK, ILLINOIS  |  |  |  |
|     |        |      |      |             |     |   |      |     |  | PD3S * CD   |  |  |  |
|     |        |      |      |             |     |   |      |     |  | UNLESS OTHERWISE SPECIFIED,<br>DIMENSIONAL TOLERANCES ARE:<br>(.X) ± .01<br>(.XX) ± .005<br>(.XXX) ± .002 |  | UNLESS OTHERWISE SPECIFIED,<br>ALL DIMENSIONS ARE GIVEN IN<br>INCHES, THIRD ANGLE PROJECTION |  |
|     |        |      |      |             |     |   |      |     |  | DRAWN BY<br>MABH  |  | SCALE<br>NONE  |  |
|     |        |      |      |             |     |   |      |     |  | DATE<br>8-7-09  |  | DRAWING NO.<br>WS26223B01  |  |
|     |        |      |      |             |     |   |      |     |  | CHK'D<br>EVO  |  | DWS<br>B<br>SIZE   |  |
| 00  | 8-7-09 | MABH | RLSD | 4378 -      |     |   |      |     |  |   |  |  |  |
| REV | DATE   | BY   | CHK  | DESCRIPTION | ECN | R | CUST | SUP |  |   |  |  |  |