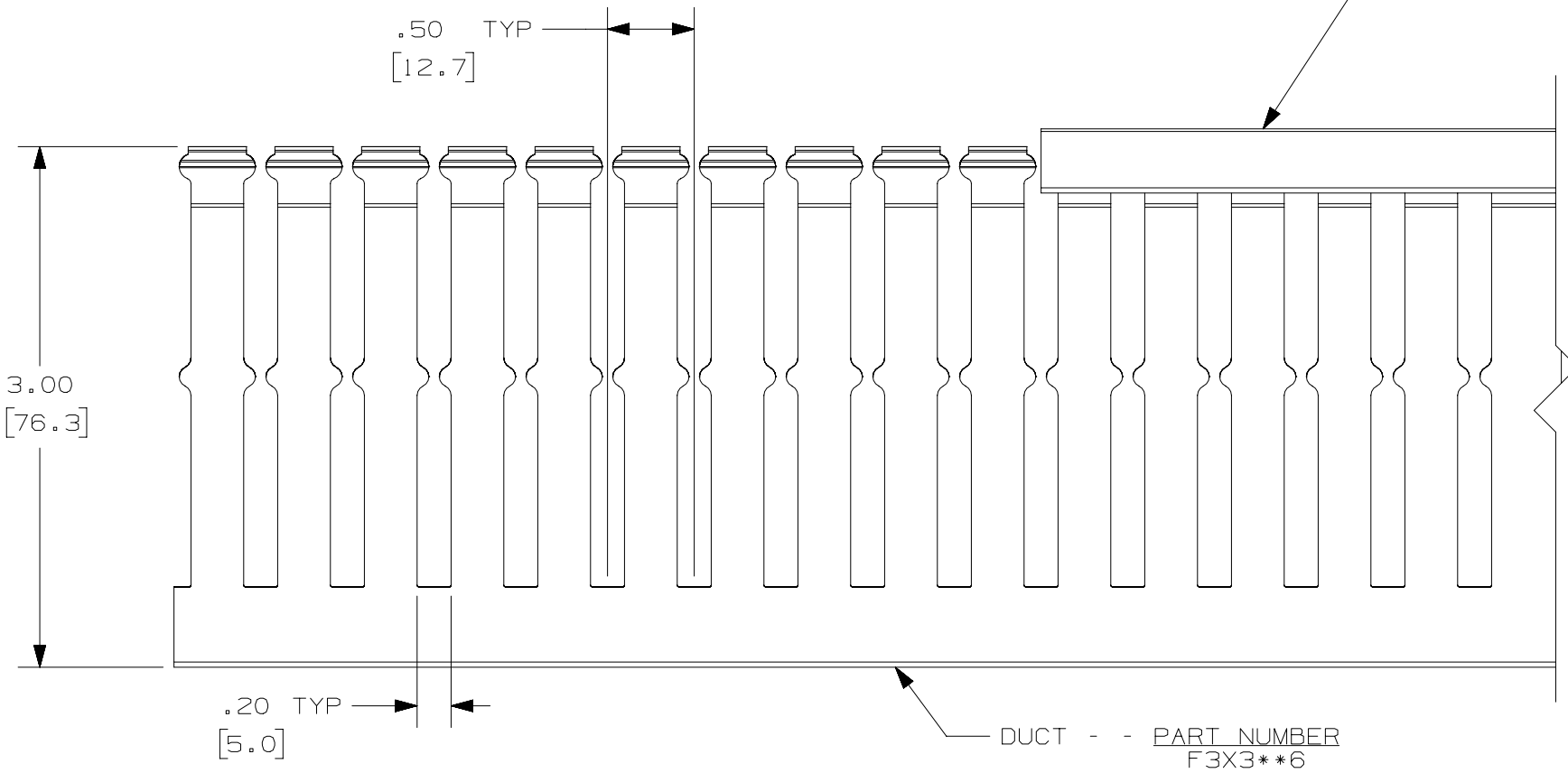
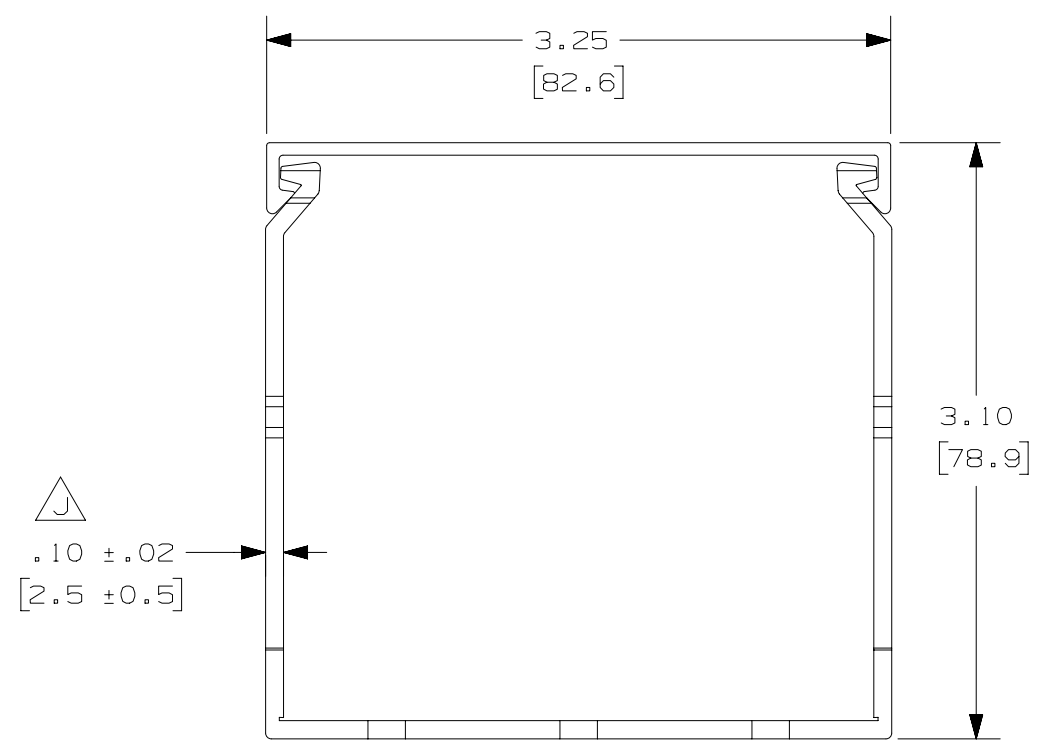


COVER - - PART NUMBER  
C3\*\*6



DUCT - - PART NUMBER  
F3X3\*\*6

- NOTES:
1. ALL DIMENSIONS ARE REFERENCE ONLY.
  2. DIMENSIONS IN PARENTHESIS ARE METRIC.
  3. THE \*\* DENOTE COLOR.
  4. DUCT AND COVER ARE AVAILABLE IN 6 FT (1828.8) LENGTHS

REV	DATE	BY	CHK	APR	DESCRIPTION	ECN
5	03.03.16	BDK	MRJS	RGRO	J. ADDED TOLERANCE	36897-778
4	04-02-13	JBN	RTFI	RTFI	I. UPDATED DRAWING BORDER & TITLE BLOCK	36897-778

<b>TITLE</b> WIRING DUCT - TYPE F DUCT WITH COVER 3 X 3 MARKETING DRAWING				
ITEM REVISION NAME: D11000CP/00 DATASET FILE NAME: D11000CP_DC/00E				
UNLESS OTHERWISE SPECIFIED, DIMENSIONAL TOLERANCES ARE: IN (mm)				MATERIAL: PVC DRAWING NUMBER: 36897-778
.X ± .XXX ± .XX ± ANGLS ±				
DRAWN BY: JHNU DATE: 06-18-03	CHK: JGG	SCALE: FULL	THIRD ANGLE PROJECTION	SIZE: C SHT 1 OF 1