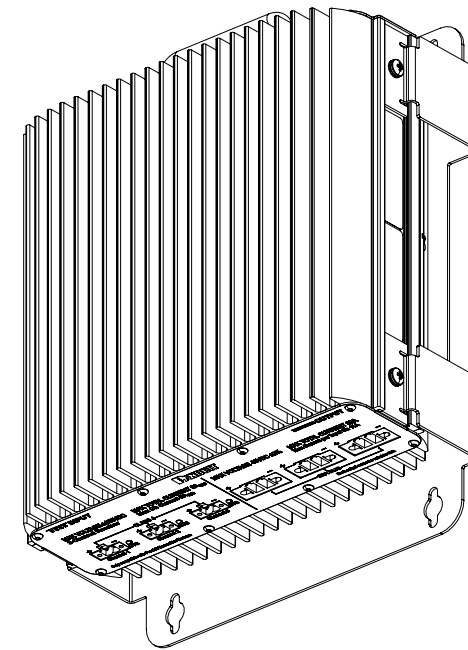
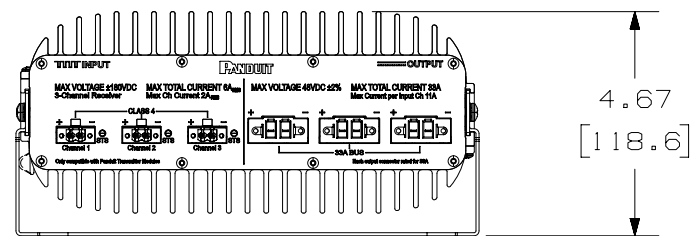
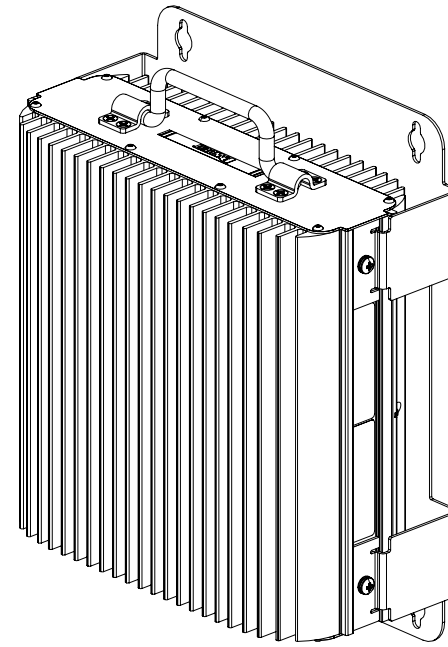
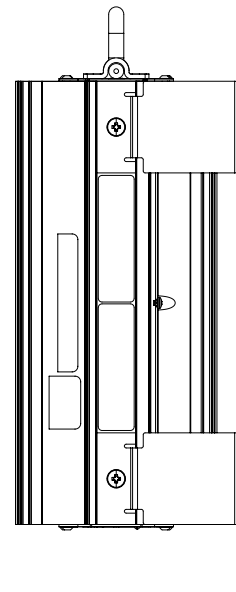
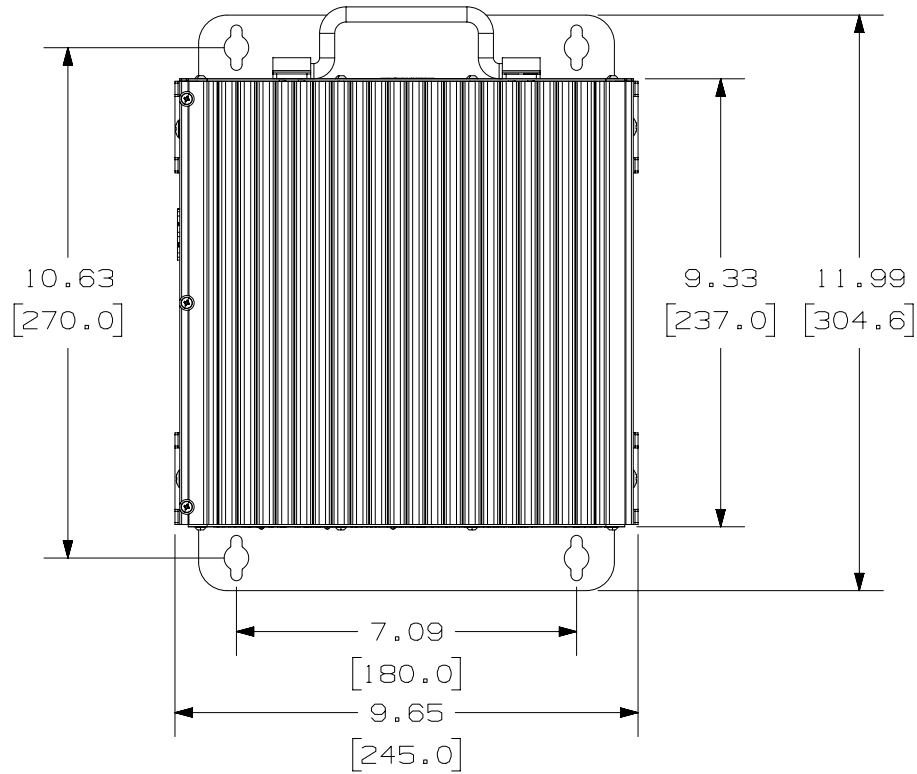


NOTES:

- VISIT OUR ON-LINE CATALOG AT WWW.PANDUIT.COM FOR A LIST OF CURRENT PARTS APPLICABLE FOR USE WITH THIS PRODUCT.
- DIMENSIONS IN [] ARE METRIC.
- ALL MATERIALS AND COMPONENTS USED MEET THE MATERIAL RESTRICTIONS OF RoHS (EUROPEAN DIRECTIVE 2011/65/EU ON THE RESTRICTION OF HAZARDOUS SUBSTANCES) AS PROPOSED BY THE RoHS TECHNICAL ADAPTATION COMMITTEE.
- WEIGHT: 13.4 lbs/6.08 kg
- PART INCLUDES:
 01959NEA RECEIVER (1)
 LCC6-14JAW-L PANDUIT COMPRESSION LUG (2)
 01959NEV MOUNTING BRACKET (1)
 01959NHS MOUNTING SCREW (4)
 01959NHI M5X8mm SCREW (4)
 20020002-G021B01LF 5mm TERMINAL INPUT CONNECTOR (3)
 1777833 7.62mm TERMINAL OUTPUT CONNECTOR (3)
 01959NHH M5 GROUNDING SCREW GREEN (4)
- THIS PRODUCT COMPLIES TO:
 UL 1400-1 FAULT-MANAGED POWER SYSTEMS



PART NUMBER		PXR1AJD		
TITLE		FMPS RECEIVER 1.6KW, 48VDC, 3 INPUT, 3 OUTPUT		
		CUSTOMER DRAWING		
ITEM REVISION NAME	01959NEA/01			
DATASET FILE NAME	01959NEA_DC/01			
		THIRD ANGLE PROJECTION		
MATERIAL	XXXXXXXXXXXX			DRAWING NUMBER
				01959NEA - DC
DRAWN BY	DATE	CHK	SCALE	SIZE
DFTR	XX/XX/XX	ENG	NONE	B
SHEET 1 OF 1				

REV	DATE	BY	CHK	APR	DESCRIPTION	ECN
01	09/18/23	FRCH	FRCH	PM	INITIAL RELEASE	