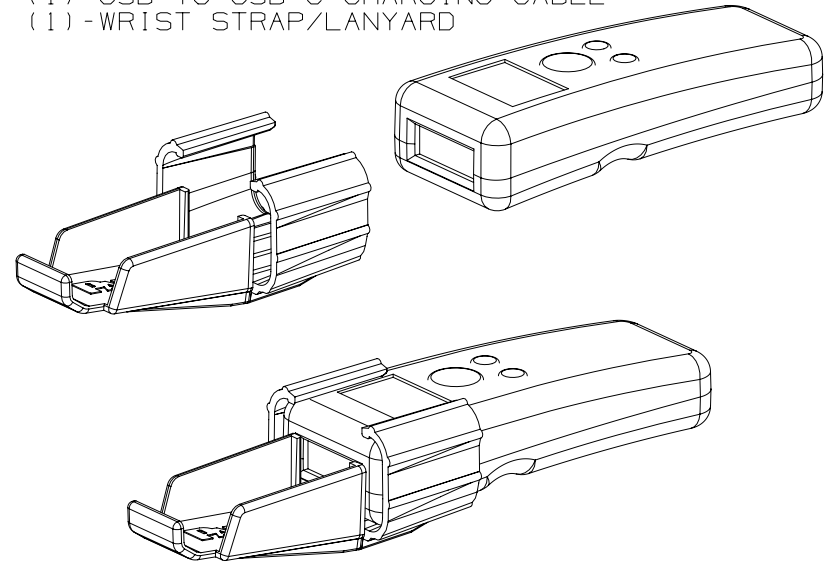
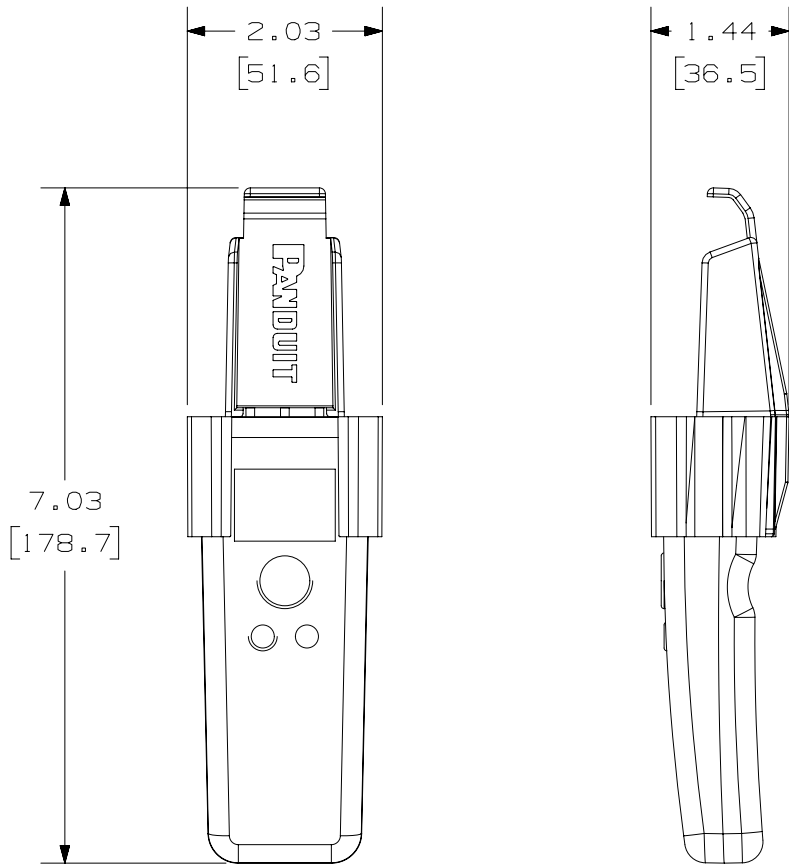
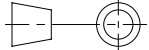


THIS COPY IS PROVIDED ON A RESTRICTED BASIS AND IS NOT TO BE USED IN ANY WAY DETRIMENTAL TO THE INTERESTS OF PANDUIT CORP.

NOTES:

1. VISIT OUR ON-LINE CATALOG AT WWW.PANDUIT.COM FOR A LIST OF CURRENT PARTS APPLICABLE FOR USE WITH THIS PRODUCT.
2. DIMENSIONS IN [] ARE METRIC.
3. ALL MATERIALS AND COMPONENTS USED MEET THE MATERIAL RESTRICTIONS OF RoHS (EUROPEAN DIRECTIVE 2011/65/EU ON THE RESTRICTION OF HAZARDOUS SUBSTANCES) AS PROPOSED BY THE RoHS TECHNICAL ADAPTATION COMMITTEE.
4. WEIGHT:
5. PART INCLUDES:
 - (1) -LASER SCANNER
 - (1) -SCANNER SHIELD
 - (1) -USB TO USB-C CHARGING CABLE
 - (1) -WRIST STRAP/LANYARD



PART NUMBER		RPDSCN		
TITLE		RAPID ID SCANNER AND SHIELD		
		CUSTOMER DRAWING		
ITEM REVISION NAME		01089EAA/01		
DATASET FILE NAME		01089EAA_DC/01A		
		THIRD ANGLE PROJECTION		
MATERIAL		N/A		
		DRAWING NUMBER		
		01089EAA-DC		
DRAWN BY	DATE	CHK	SCALE	SIZE
TWV	9-28-21	KZU	1:2	A

00A	9-28-21	TWV	KZU	JEFK	RELEASED TO PRODUCTION	M09000NX
REV	DATE	BY	CHK	APR	DESCRIPTION	ECN

A-SIZE CUSTOMER

2

1

2

1