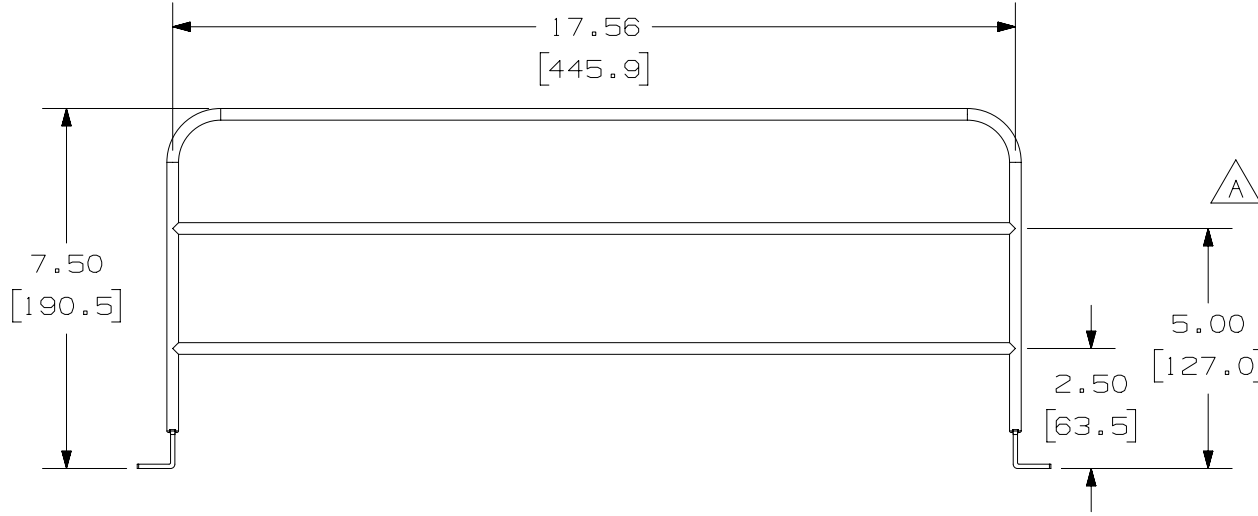
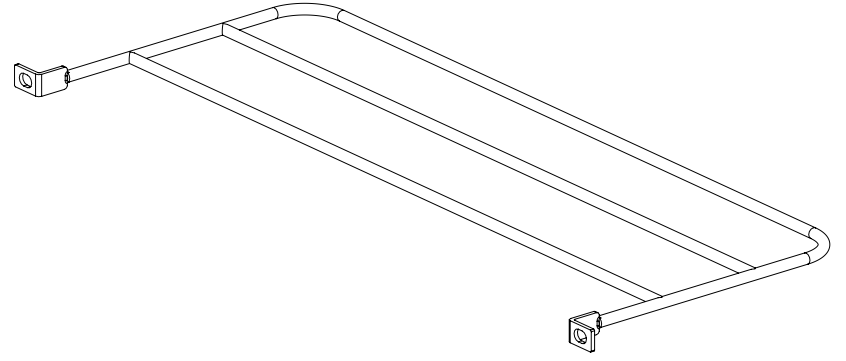
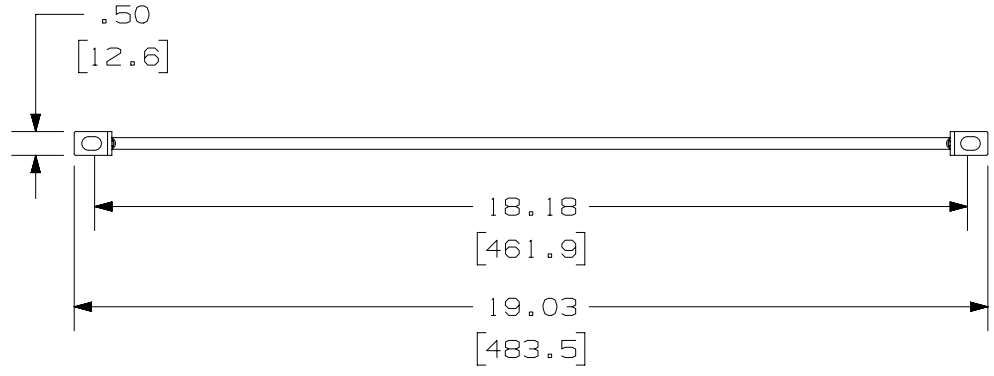


THIS COPY IS PROVIDED ON A RESTRICTED BASIS AND IS NOT TO BE USED IN ANY WAY DETRIMENTAL TO THE INTERESTS OF PANDUIT CORP.



PANDUIT P/N	WEIGHT
SRB19MDBL	.90 LB/EACH PC (407.1 g/EACH PC)

- NOTES:
- SEE WWW.PANDUIT.COM FOR ADDITIONAL PART NUMBER SUFFIXES TO INDICATE COLOR AND OR PACKAGE QUANTITY.
  - SEE WWW.PANDUIT.COM FOR COMPLETE LIST OF PARTS APPLICABLE FOR USE WITH THIS PART.
  - DIMENSIONS IN PARENTHESES ARE IN METRIC.
  - PART INCLUDES:  
1- EXTENDED STRAIN RELIEF BAR  
1- #12-24 SCREW KIT (INCLUDES 4 SCREWS)



PART NUMBER		SRB19MDBL	
TITLE		MULTI-DEPTH STRAIN RELIEF BAR	
ITEM REVISION NAME		CUSTOMER DRAWING	
DATASET FILE NAME		M03137AA/05 <sup>△</sup>	
MATERIAL		SEE NOTE 4	
DRAWING NUMBER		03137-07 <sup>△</sup>	
DRAWN BY		JSP	
DATE		1-14-09	
CHK		MBVE	
SCALE		NONE	
SHEET 1 OF 1		A	

REV	DATE	BY	CHK	APR	DESCRIPTION	ECN
05A	07-12-22	MDJR	JCO	REFR	D. IR REVISED ONLY, NO DRAWING CHANGES MADE.	M09000QN
04A	4-8-22	BJN	MDJR	MMR	C. UPDATDE CAD MODEL TO REV 04 B. NOTE 4: REMVD M6 SCREW KIT A. UPDATED TITLE BLOCK, NOTES 1-2 REVISED & REDRAWN PREVIOUS REVS REMVD FOR CLARITY	03137-07

A-SIZE CUSTOMER

2

1

2

1