

Mini-Com™ Category 5e JIS Adapter Kits

Japan

PANDUIT[™]
SPECIFICATION SHEET

SPECIFICATIONS

Mini-Com JIS Adapter Kits shall be available empty and kitted. Adapter kits shall include a Category 5e mini leadframe style jack module and shall be compatible with standard JIS plates. Kits shall include a spring shuttered door and shall be available in five colors. JIS adapter kit shall include LAN/Category 5e print above the shuttered door. Empty adapters shall be available in various configurations to accommodate most needs.



TECHNICAL INFORMATION

Category 5e/Class D channel and component performance:	Exceeds channel requirements of ANSI/TIA-568.2-D Category 5e and ISO 11801 Class D standards at swept frequencies 1 to 100 MHz Exceeds component requirements of ANSI/TIA-568.2-D Category 5e and ISO 11801 Class D standards at swept frequencies 1 to 100 MHz
FCC and ANSI compliance:	Meets all applicable ANSI/TIA-1096-A requirements; contacts plated with 50 micro inches of gold for superior performance
IEC compliance:	Meets IEC 60603-7
RoHS compliance:	Compliant
Adapter material:	Milk White and Off White are ABS and Blue, Green, Red, and Yellow are Polycarbonate
PoE compliance:	Meets requirements of IEEE 802.3af and IEEE 802.3at for PoE applications
Conductor termination range:	Wire cap compatible with 22-24 AWG solid cable with conductor insulation diameters of 0.889mm (0.035 in.) and overall cable O.D. 5.08mm - 6.35mm (.200 in. - 0.250 in.)

KEY FEATURES AND BENEFITS

Packaging options:	Kits: One JIS adapter and one Category 5e mini jack leadframe style jack in IW (Off White)
Modular:	Empty adapters accept most Mini-Com Modules for easy moves, adds and changes
Low profile design:	Mounts flush with faceplate
Shuttered feature:	Protects connection from dust and debris when not in use
Color option:	Ability to color code installations
Mounting option:	Easy "snap-in" feature

APPLICATIONS

Mini-Com JIS Adapters are designed to snap into standard JIS faceplates which are typically mounted to any standard size single or double gang junction box or wallboard adapters. JIS adapters are offered with print or without print. The printed adapters offer a quick and easy way to identify the category installed.

The adapters without print are ideal when using a variety of Mini-Com Modules and can be easily identified with adhesive labeling. Spring shuttered doors will protect connections from dust and debris. Adapters without doors will accommodate modules such as Audio/Video or fiber modules which extend beyond the opening of the adapter.

Mini-Com Category 5e JIS Adapters kitted with Category 5e Mini Leadframe Style Jack

Clear door:	JASSP58IWY
Opaque door:	JAOSSP58 ^{^^Y}

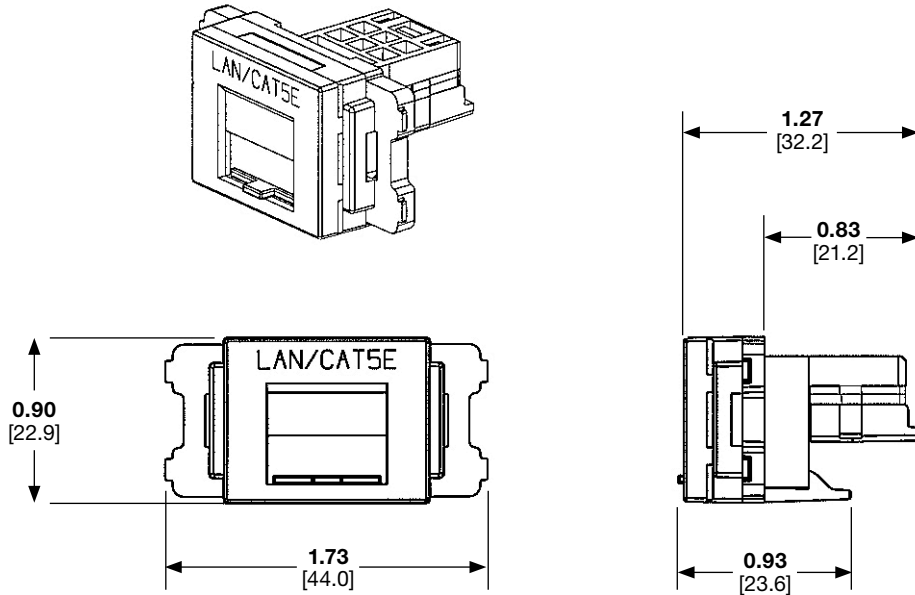
Empty adapters

Without doors or print:	CMAIW-X
With clear door and print:	CMASP5IW-X

^{^^}Colours: BU (Blue), GR (Green), MW (Milky White), RD (Red), and YL (Yellow)

Mini-Com™ Category 5e JIS Adapter Kits

ENGINEERING DRAWING



View shown with a CAT 5e
Short Jack Module installed

Dimensions are in inches. [Dimensions in brackets are metric].

WORLDWIDE SUBSIDIARIES AND SALES OFFICES

PANDUIT US/CANADA
Phone: 800.777.3300

PANDUIT EUROPE LTD.
London, UK
Phone: 44.20.8601.7200

PANDUIT SINGAPORE PTE. LTD.
Republic of Singapore
Phone: 65.6305.7575

PANDUIT JAPAN
Tokyo, Japan
Phone: 81.3.6863.6000

PANDUIT LATIN AMERICA
Guadalajara, Mexico
Phone: 52.33.3777.6000

PANDUIT AUSTRALIA PTY. LTD.
Victoria, Australia
Phone: 61.3.9794.9020

For a copy of Panduit product warranties, log on to www.panduit.com/warranty

PANDUIT™

For more information
Visit us at www.panduit.com
Contact Customer Service by email: cs@panduit.com
or by phone: 800.777.3300

©2024 Panduit Corp.
ALL RIGHTS RESERVED.
COSP538-WW-ENG
4/2024