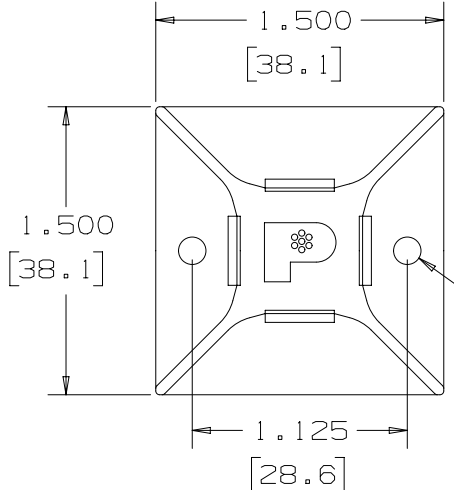


THIS COPY IS PROVIDED ON A RESTRICTED BASIS AND IS NOT TO BE USED IN ANY WAY DETRIMENTAL TO THE INTERESTS OF PANDUIT CORP.

NO WARRANTY, EXPRESSED OR IMPLIED, IS MADE BY PANDUIT WITH RESPECT TO ADHESIVE BOND PERFORMANCE. AMONG OTHER THINGS, THE CONDITIONS UNDER WHICH THESE MOUNTS MAY BE APPLIED AND/OR THE SURFACE TO WHICH THEY MAY BE APPLIED ARE BEYOND PANDUIT'S CONTROL.

PANDUIT PART NO.*	USE WITH THESE CABLE TIE ** CROSS SECTIONS	WEIGHT lbs /100 pcs. (g)
ABM3H-A	M, I, S, LH & H	0.61 (274)



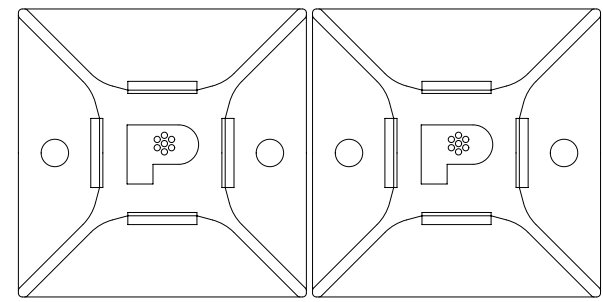
0.146 DIA. REF
(3.7)
2 HOLES

NOTES:

- * 1) SEE CURRENT PRICE SHEET FOR PART NUMBER SUFFIX DESIGNATIONS FOR PACKAGE SIZE.
- ** 2) CABLE TIE CROSS SECTION CODE: M=MINIATURE, I=INTERMEDIATE, S=STANDARD, LH=LIGHT HEAVY, H=HEAVY. MOUNT SHOULD NOT BE USED WITH M, I OR S CROSS SECTION CABLE TIES WITH LESS THAN A 2" BUNDLE DIAMETER.

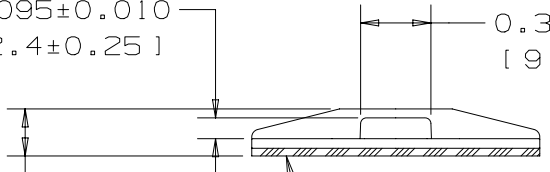
TO APPLY MOUNT

- 1) REMOVE PROTECTIVE LINER.
- 2) PLACE IN DESIRED LOCATION.
- 3) APPLY PRESSURE TO MOUNT.



0.095±0.010
[2.4±0.25]

0.365±0.010
[9.3±0.25]



0.250 REF
[6.4]

ADHESIVE TAPE: PRESSURE SENSITIVE FOAM 0.040(1.01) THICK WITH PROTECTIVE LINER. MOUNT IS DESIGNED TO SUPPORT 1.13 lbs. (513g) MAX. WEIGHT ON A CLEAN, DRY, SMOOTH, GREASE-FREE SURFACE.

REV	DATE	BY	CHK	APR	DESCRIPTION	ECN
3	6/8/17	RVU	DJW	JHAC	REMOVE "WHITE" FROM MATERIAL BOX.	GAECN04188
2	9/20/05	TMSA			REMOVE TOLERANCE FROM REF. HOLE DIAMETERS OF .146.	GB0239GW
1	11/2/04	JAD			ADD ABM40.	GB0239GW
R	10/20/00	CGSM			INITIAL RELEASE.	GB0239GW

TITLE ABM3H-A ADHESIVE BACKED MOUNT CUSTOMER DRAWING					
ITEM REVISION NAME 10B015BA/01			PANDUIT		
DATASET FILE NAME 10B015BA_DC_GB0239GW_03/01B					
MATERIAL: NYLON 6/6					
DRAWING NUMBER: GB0239GW					
DRAWN BY CGSM	DATE 10/20/00	CHK JHAC	SCALE FULL	SHT 1 OF 1	
				SIZE A	