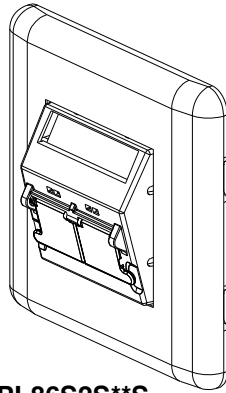


Contents:

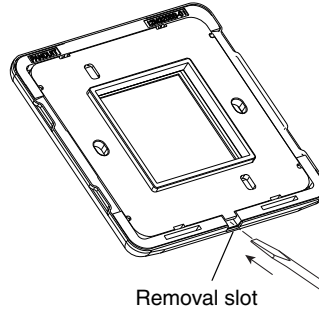
- 1 - Stainless Steel Faceplate Cover
- 1 - Mounting Frame
- 1 - 2-Position 45mm x 45mm Shuttered Adapter
- 2 - M3.5x0.5x30mm Mounting Screws



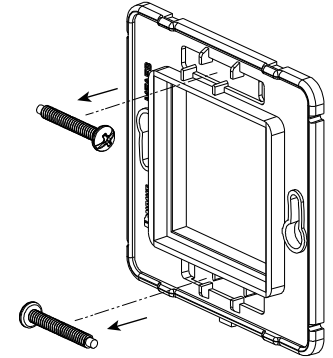
CFPL86S2S**S

** Denotes adapter color

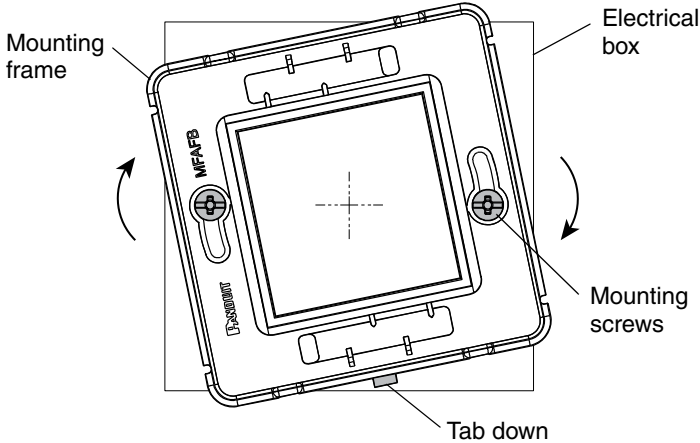
Separate faceplate cover from mounting frame



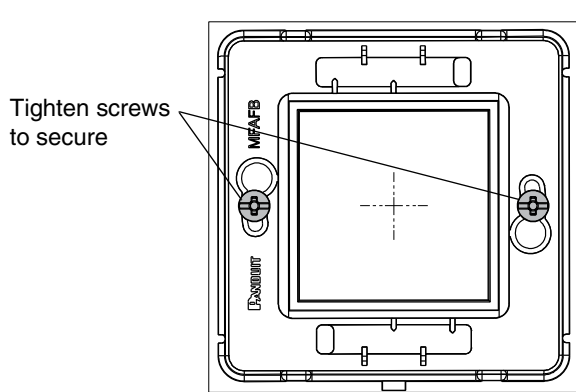
Remove mounting screws



1

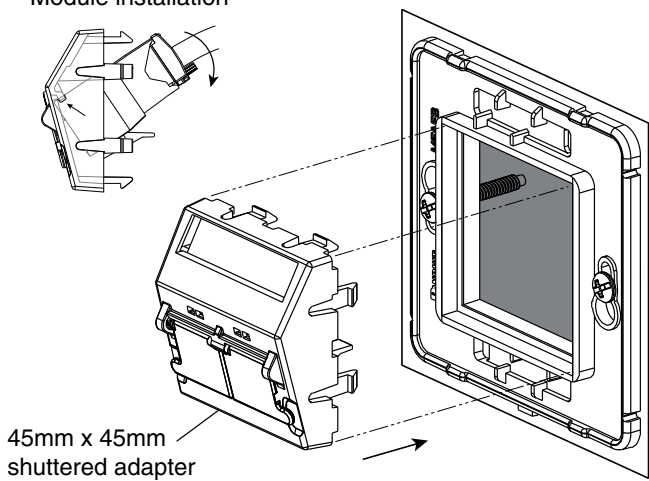


2

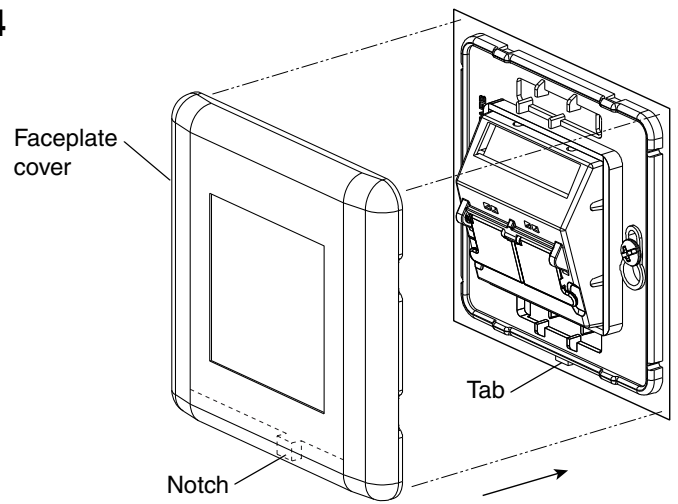


3

Module installation



4



For Instructions in Local Languages
and Technical Support:

www.panduit.com/resources/install_maintain.asp