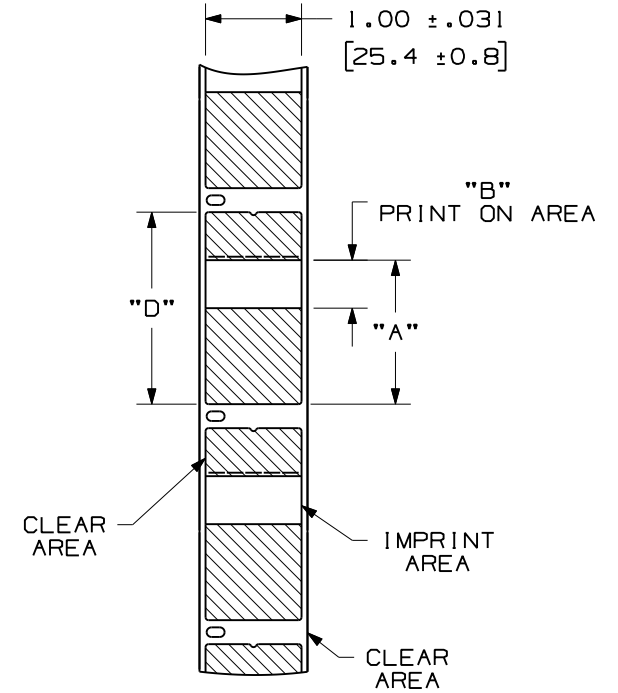
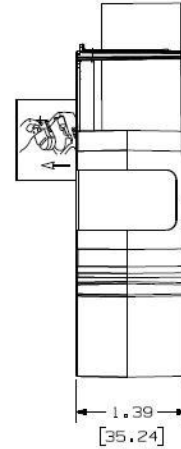
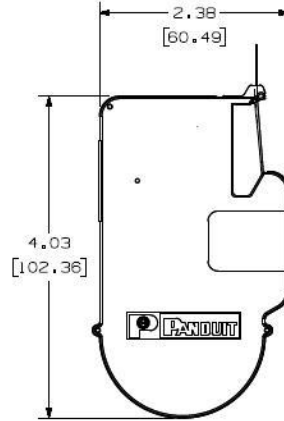


THIS COPY IS PROVIDED ON A RESTRICTED BASIS AND IS NOT TO BE USED IN ANY WAY DETRIMENTAL TO THE INTERESTS OF PANDUIT CORP.

PART NUMBER	PRINT ON AREA COLOR	APPLICATION DIAMETER RANGE	MATERIAL	"A" +/- .062 LENGTH	"B" +/- .062 PRINT ON AREA	"D" +/- .062 LENGTH	LABELS/CASSETTE
R100X075VIC	WHITE	.120"-.160"	GMH6	.75 [19.1]	.25 [6.4]	1.25 [31.8]	150
R100X125VIC		.160"-.220"		1.25 [31.8]	.38 [9.5]	1.75 [44.5]	100
R100X150VIC		.220"-.280"		1.50 [38.1]	.50 [12.7]	2.00 [50.8]	
R100X150V2C	BLUE						
R100X150V3C	GREEN						
R100X150V7C	RED						
R100X150V8C	YELLOW						
R100X225VIC	WHITE	.280"-.390"		2.25 [57.2]	.75 [19.1]	2.75 [69.9]	
R100X225V2C	BLUE						
R100X225V3C	GREEN						
R100X225V7C	RED						
R100X225V8C	YELLOW						

NOTES:

1. DIMENSION IN [ ] ARE IN MILLIMETERS.
2. SEE B20393 FOR INSTALLATION INSTRUCTIONS.



CAD FILENAME/LAYERS 100693GQ-DC-C10783/09C

PANDUIT CORP. TINLEY PARK, ILLINOIS

CUSTOMER DRAWING  
TURN TELL ROTATABLE SELF-LAMINATING LABEL  
PI CASSETTE, R\*\*\*X\*\*\*V\*C

UNLESS OTHERWISE SPECIFIED,  
DIMENSIONAL TOLERANCES ARE:  
(.X) ± .12 (.XXX) ± .025  
(.XX) ± .062 ANGLES ±

UNLESS OTHERWISE SPECIFIED,  
ALL DIMENSIONS ARE GIVEN  
IN INCHES, THIRD ANGLE PROJECTION.

REV	DATE	BY	CHK	DESCRIPTION	ECN	R	CUST	SUP
2	9/28/11	RVU		ADD NEW PN: R100X150V*C AND R100X225V*C. ADD PRINT ON AREA COLOR COLUMN.	6527	R		
1	9/24/09	RVU		DRAWING RELEASE.	5845	R		
0	9/10/09	RVU		VOID				

DRAWN BY  
RVU  
DATE  
09/1/09  
CHK'D

MAT'L:  
SEE TABLE

SCALE  
NTS  
DRAWING NO.  
C10783  
DWG  
A  
SIZE