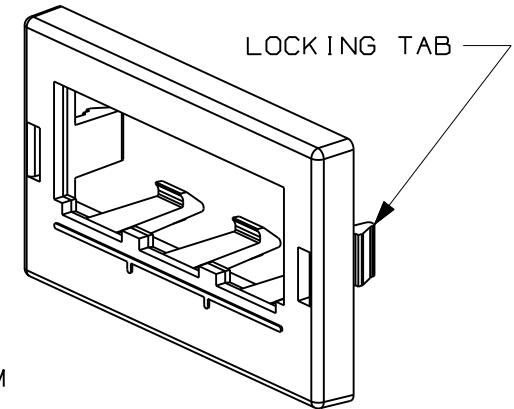
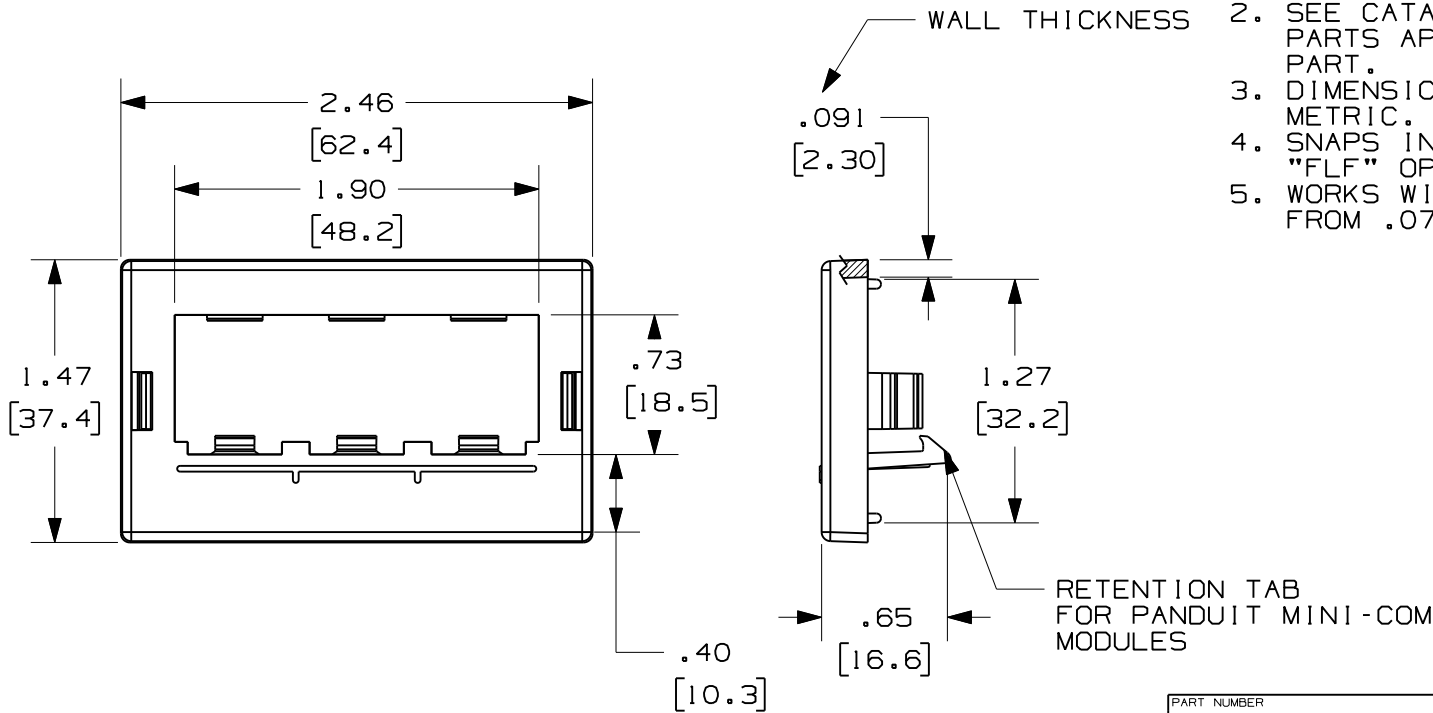


THIS COPY IS PROVIDED ON A RESTRICTED BASIS AND IS NOT TO BE USED IN ANY WAY DETRIMENTAL TO THE INTERESTS OF PANDUIT CORP.

PANDUIT P/N	WEIGHT
CFPCH3**	.14 LB/10 PCS (64 g/10 PCS)

- NOTES:
1. SEE CURRENT CATALOG FOR ADDITIONAL PART NUMBER SUFFIXES TO INDICATE COLOR AND OR PACKAGE QUANTITY.
 2. SEE CATALOG FOR COMPLETE LIST OF PARTS APPLICABLE FOR USE WITH THIS PART.
 3. DIMENSIONS IN PARENTHESES ARE IN METRIC.
 4. SNAPS INTO STANDARD SWITZERLAND "FLF" OPENINGS.
 5. WORKS WITH PANEL THICKNESSES RANGING FROM .07" (1.78mm) TO .12" (3.05mm).



PART NUMBER	CFPCH3**	PRODUCT SPEC/PKG SPEC	N/A
I.I. NUMBER	N/A	WORK INSTRUCTION	N/A

TITLE	MINI-COM 3 POSITION SWITZERLAND FACEPLATE
ITEM REVISION NAME	CUSTOMERL DRAWING

ITEM REVISION NAME	M00022BB/02.PRT	PANDUIT TM
DATASET FILE NAME	M00022BB_DC/02B.PRT	

UNLESS OTHERWISE SPECIFIED, DIMENSIONAL TOLERANCES ARE: IN (mm)	MATERIAL:
.x : .03 (.8) .xx : .03 (.8)	ABS
.xxx : .010 (.3) ANGLES :	DRAWING NUMBER:

THIRD ANGLE PROJECTION	00022-03
------------------------	----------

2	11-6-12	BJN	JSP	JSP	A. UPDATED DRAWING FORMAT TO REFLECT NEW LOGO REVISED & REDRAWN PREVIOUS REVS REMOVED FOR CLARITY	00022-03
---	---------	-----	-----	-----	--	----------

REV	DATE	BY	CHK	APR	DESCRIPTION	ECN	DRAWN BY	DATE	CHK	SCALE	SHT 1 OF 1	SIZE
							JBA	11-24-97	PBD	NONE		A