

Mini-Com™ 86mm x 86mm Stainless Steel Faceplates

specifications

86mm x 86mm stainless steel faceplates shall include an adapter in 2-port configuration with spring shuttered doors that protect connectors from dust and debris when not in use. Faceplate shall include label pockets and icon slots to enable proper identification. Two-piece design shall include a stainless steel cover to conceal mounting screws for added security. Faceplates shall accept Mini-Com™ Modules for copper, fiber, and audio/video installations.



technical information

Mounting options:	Screw holes with screw retention tabs
Number of ports:	2-port configuration
Packaging:	Includes back plate, stainless steel cover, 2-port 45mm x 45mm shuttered adapter, label, label cover and two panhead mounting screws
Material:	Cover is 304 grade stainless steel with brushed finish; back plate and adapter are made of ABS material

key features and benefits

Modular	Mini-Com™ Modules snap in and out for easy moves, adds and changes
Stainless steel	Durable impact-resistant material; easy to clean
Concealed screws	Utilizes two-piece construction that allows a cover to snap over the base to hide the mounting screws for added security
Labeling capability	Includes label pocket and icons slots that allow ports to be properly identified

applications

Panduit Mini-Com™ Faceplates offer an aesthetic solution that complements work areas, while offering various features that enhance functionality by offering modularity and flexibility. Will support copper, fiber and audio/video applications.

As part of a global workstation outlet solution offered by Panduit, Mini-Com™ 86mm x 86mm Stainless Steel Faceplates mount to select industry-standard wall boxes as a two-piece design that snaps together to conceal mounting screws. The 45mm x 45mm included adapter features spring-shuttered doors that remain closed when connections are not in use to protect them from dust and debris. Built-in label pocket and icon slots enable easier identification for lower cost maintenance.

86mm x 86mm Faceplates

Black:	CFPL86S2SBLS
Gray:	CFPL86S2SIGS

Snap-in Icons

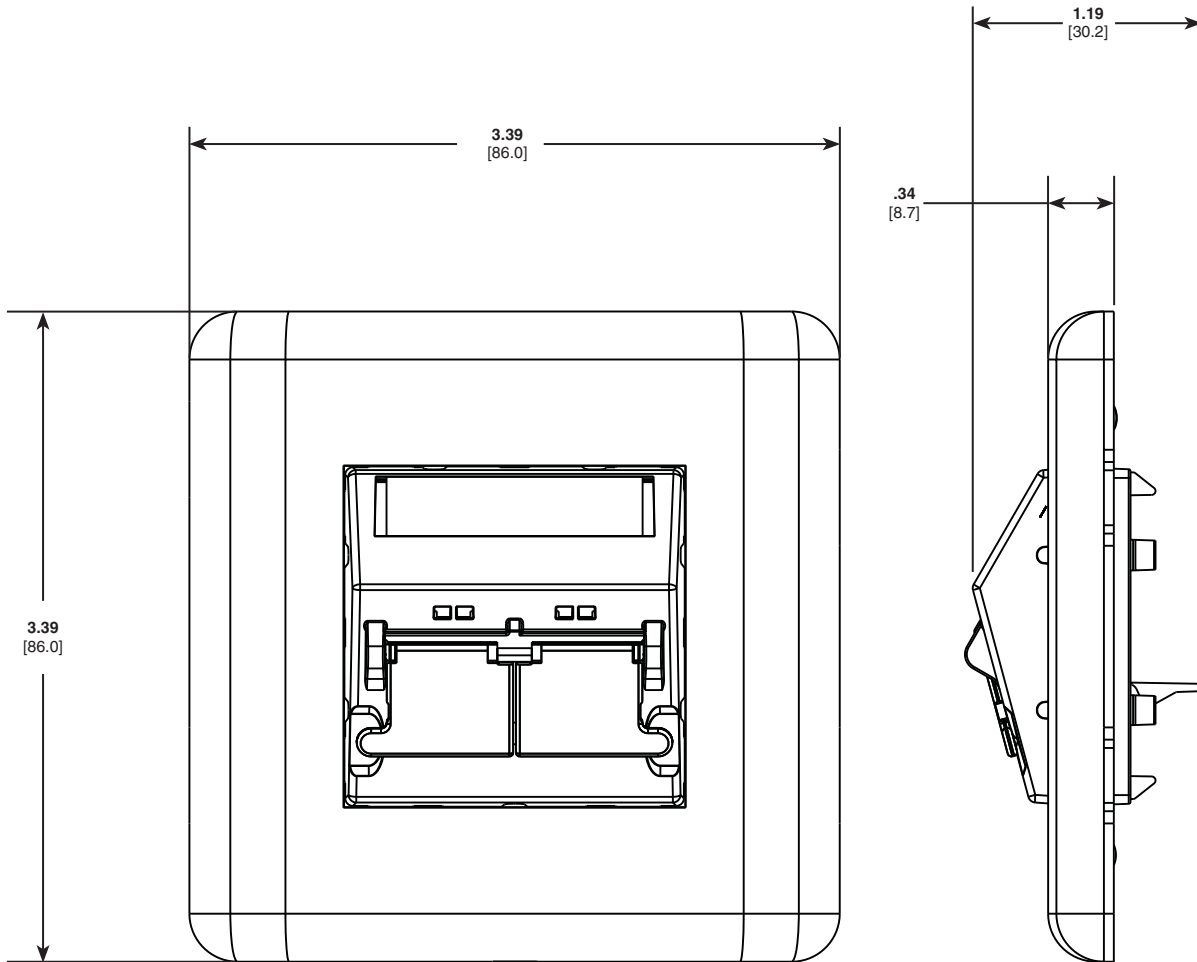
Data:	CID*-C
Phone:	CIP*-C

Label Options

Laser/ink jet:	C150X030Y1J
PanTher™ LS8E:	C150X030Y1C

*Replace * in part number with suffix to indicate color: IW (Off White), EI (Electric Ivory), WH (White), IG (International Gray), BL (Black), OR (Orange), RD (Red), BU (Blue), GR (Green), YL (Yellow) or VL (Violet).

Mini-Com™ 86mm x 86mm Stainless Steel Faceplates



Dimensions are in inches. [Dimensions in brackets are metric].

WORLDWIDE SUBSIDIARIES AND SALES OFFICES

PANDUIT CANADA
Markham, Ontario
cs-cdn@panduit.com
Phone: 800.777.3300

PANDUIT EUROPE LTD.
London, UK
cs-emea@panduit.com
Phone: 44.20.8601.7200

PANDUIT SINGAPORE PTE. LTD.
Republic of Singapore
cs-ap@panduit.com
Phone: 65.6305.7575

PANDUIT JAPAN
Tokyo, Japan
cs-japan@panduit.com
Phone: 81.3.6863.6000

PANDUIT LATIN AMERICA
Guadalajara, Mexico
cs-la@panduit.com
Phone: 52.33.3777.6000

PANDUIT AUSTRALIA PTY. LTD.
Victoria, Australia
cs-aus@panduit.com
Phone: 61.3.9794.9020

For a copy of Panduit product warranties, log on to www.panduit.com/warranty

For more information

Visit us at www.panduit.com

Contact Customer Service by email: cs@panduit.com
or by phone: 800.777.3300

PANDUIT™

©2013 Panduit Corp.
ALL RIGHTS RESERVED.
COSP318--WW-UKE
10/2013