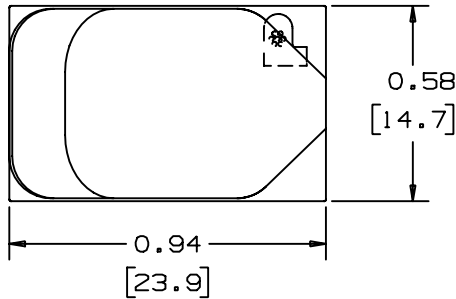
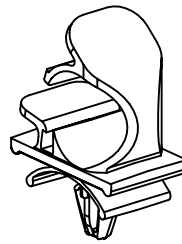
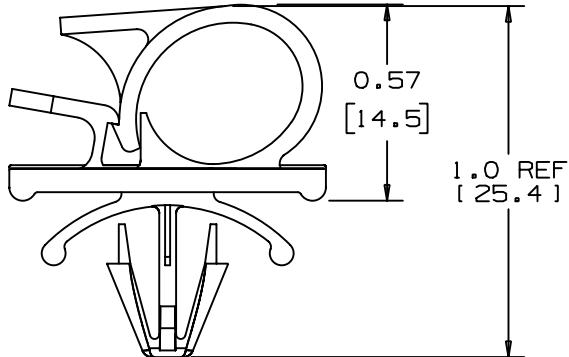


THIS COPY IS PROVIDED ON A RESTRICTED BASIS AND IS NOT TO BE USED IN ANY WAY DETRIMENTAL TO THE INTERESTS OF PANDUIT CORP.



PANDUIT PART NUMBER*	MAXIMUM CABLE DIA. in.(mm)	WEIGHT lbs.(g)/100pcs	HOLE SIZE DIA. RANGE	PANEL THK. RANGE
LWC38H25	0.38 (9.5)	0.49 (224)	3/16"-1/4" [5-6]	0.025-0.105 [0.5-3]

NOTES:
 * 1) SEE CURRENT PRICE SHEET FOR PART NUMBER SUFFIX DESIGNATION, FOR PACKAGE SIZE.



SCALE: FULL

DIMENSIONS IN BRACKETS ARE METRIC [mm]

CAD FILENAME/LAYERS G00166BA_DC_04

PANDUIT CORP. TINLEY PARK, ILLINOIS

LWC38H25 LATCHING WIRE CLIP

REV	DATE	BY	CHK	DESCRIPTION	ECN	R	CUST	SUP
4	2-4-99	CGSM		CHANGED DIM. TO REF. DIM. UPDATED FILE NAME	GB0166BA	4		
3	12-11-97	JAD		.57 (14.5) DIMENSION WAS .78 (19.8)	GB0166BA	3		
2	2/17/97	CGSM		REVISED DIMENSIONS	GB0166BA	2		
1	10/20/95	CBJ		REVISED HOLE SIZE & PANEL THICKNESS RANGE	GB0166BA	1		
R	7-26-93	JRL		INITIAL RELEASE	GB0166BA	R		

UNLESS OTHERWISE SPECIFIED, DIMENSIONAL TOLERANCES ARE:
 (.X) ±0.05 [1.3] (.XXX) ±0.010 [0.25]
 (.XX) ±0.02 [0.5] ANGLES ± 5°

UNLESS OTHERWISE SPECIFIED, ALL DIMENSIONS ARE GIVEN IN INCHES, THIRD ANGLE PROJECTION.

DRAWN BY JRL

MAT'L:

SCALE 2X

DATE 7-26-93

NYLON 6/6

DRAWING NO.

GB0166BA

DWG

A

CHK'D

SIZE