

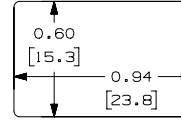
THIS COPY IS PROVIDED ON A RESTRICTED BASIS AND IS NOT TO BE USED IN ANY WAY DETRIMENTAL TO THE INTERESTS OF PANDUIT CORP.



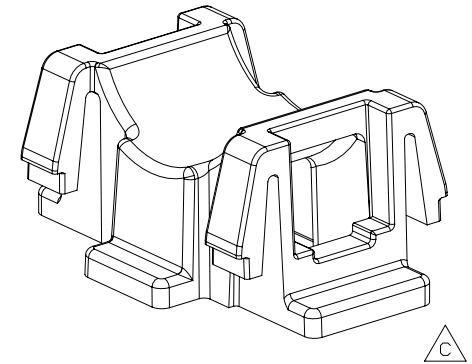
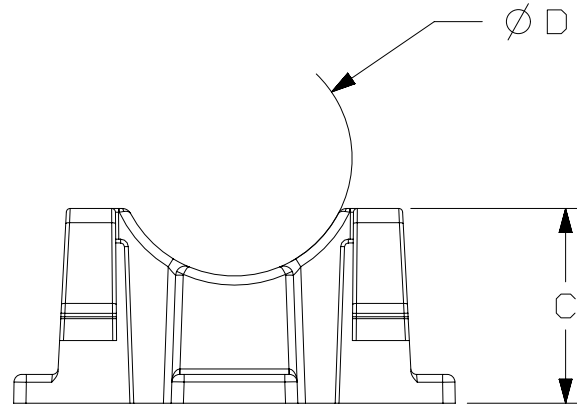
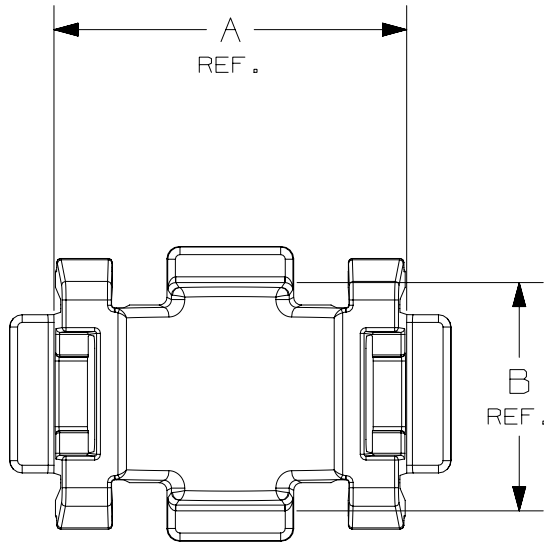
PART NUMBER	USE WITH CABLE TIES	DIMENSIONS				WEIGHT grams/100pcs
		A	B	C	D	
TCM1X63-D350	M, I, S, LH	0.94 (23.8)	0.60 (15.3)	0.48 (12.2)	0.63 (16.0)	185

NOTES:

- THIS MOUNT IS DESIGNED TO SEAT WITHIN A USER SUPPLIED BRACKET OR PANEL.  
APPLICATION SPECIFICATION:  
a. POCKET / CUTOUT DIMENSIONS: 0.94" X 0.60" (23.8mm X 15.3mm)  
b. BRACKET / PANEL THICKNESS: 0.08"-0.12" (2.0 mm - 3.0mm)



2. DIMENSIONAL VARIANCE IS POSSIBLE DUE TO MOLDING PROCESS RELATED SINK MARKS.



REV	DATE	BY	CHK	APR	DESCRIPTION	ECN
00D	4-24-23	MDS	DAEI	DJSL	F. MODIFIED NOTES & ADDED CUTOUT VIEW E. REMOVED "H" FROM USE WITH CABLE TIES COLUMN	1006739/00D
00C	2-24-21	DJSL	DAEI	ALP	D. UPDATED CABLE TIES, DIM C AND WEIGHT C. GEOMETRY UPDATE	
00B	2-11-21	DJSL		ALP	B. UPDATED DIMENSIONS FOR NOTE 2. A. UPDATED DIM A & B AND WEIGHT.	
00A	2-3-21	DJSL		ALP	DRAWING RELEASED	

TITLE <b>PUSH-IN CRADLE MOUNT</b>					
CUSTOMER DRAWING					
ITEM REVISION NAME <b>00887EAA/00</b>			<b>PANDUIT</b>		
DATASET FILE NAME <b>00887EAA_DC/00</b>					
UNLESS OTHERWISE SPECIFIED, DIMENSIONAL TOLERANCES ARE: IN (mm)			MATERIAL: <b>NYLON 6.6 HEAT STABLE WEATHER RESISTANT IMPACT MODIFIED</b>		
.x ± .1 [ 2.54 ]		.xxx ± .005 [ .127 ]		DRAWING NUMBER: <b>00887EAA_DC</b>	
.xx ± .01 [ .25 ]		ANGLES ± 1°		THIRD ANGLE PROJECTION	
DRAWN BY <b>DJSL</b>	DATE <b>2/3/21</b>	CHK	SCALE <b>2:1</b>	SHT 1 OF 1	SIZE <b>A</b>