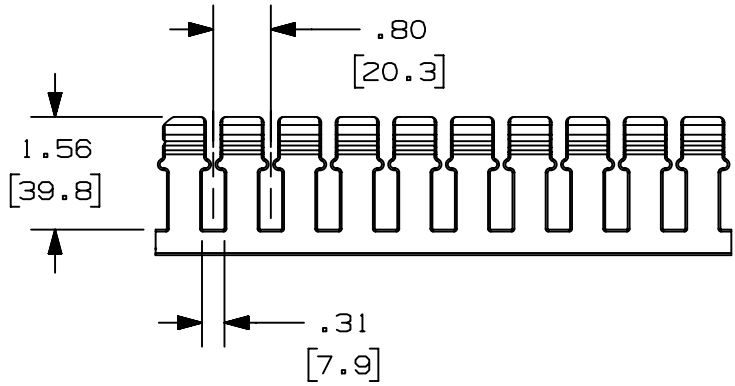


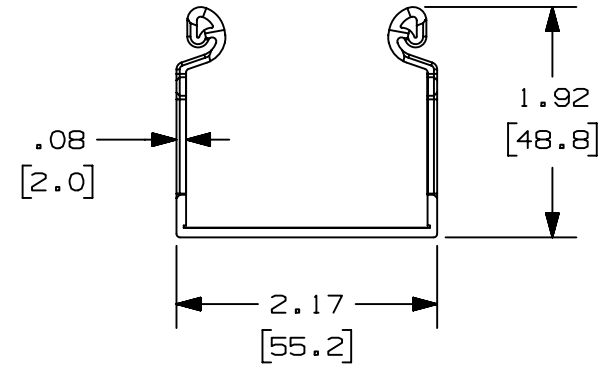
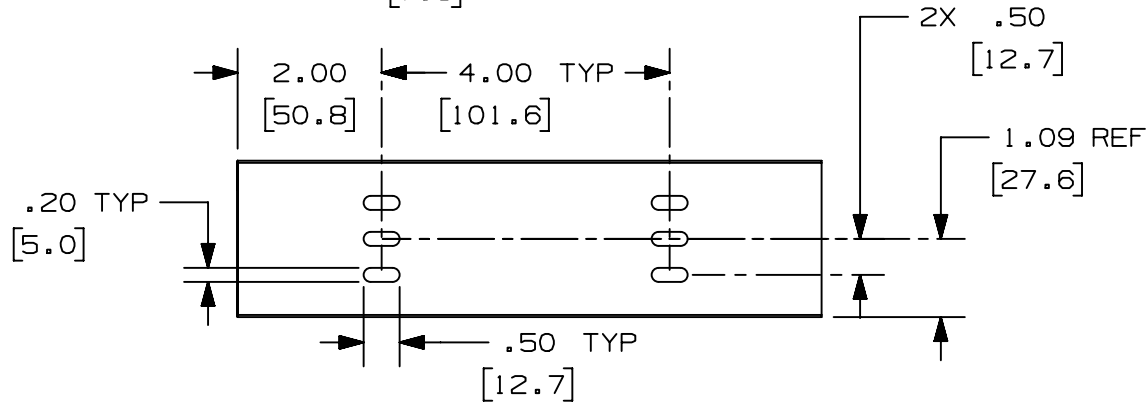
THIS COPY IS PROVIDED ON A RESTRICTED BASIS AND IS NOT TO BE USED IN ANY WAY DETRIMENTAL TO THE INTERESTS OF PANDUIT CORP.

PANDUIT PART NUMBER	LENGTH	WEIGHT	WEIGHT/LENGTH
H2X2L**2 (SEE NOTE 1)	78.74 IN ±.18 IN (2000.0mm ±4.6mm)	1.97 LB (894g)	0.30 LB/FT (4.5g/cm)
H2X2L**6 (SEE NOTE 1)	72.00 IN ±.18 IN (1828.8mm ±4.6mm)	1.80 LB (816g)	0.30 LB/FT (4.5g/cm)



NOTES:

1. SEE CURRENT CATALOG FOR ADDITIONAL PART SUFFIXES TO INDICATE COLOR AND/OR PACKAGE QUANTITY.
2. DIMENSIONS IN PARENTHESES ARE IN METRIC.



B

B

A

A

TITLE FIBERRUNNER 2X2 HINGED SLOTTED CHANNEL H2X2L**2, H2X2L**6	
CUSTOMER DRAWING	
ITEM REVISION NAME 00501EAC/00	PANDUIT
DATASET FILE NAME 00501EAC_DC/00A	
UNLESS OTHERWISE SPECIFIED, DIMENSIONAL TOLERANCES ARE: IN [mm] .x ± .xxx ± .xx ± .03 [.8] ANGLES ±	
MATERIAL: PC	
DRAWING NUMBER: 00501EAC-DC	
DRAWN BY MES	DATE 8/13/2020
CHK DWR	SCALE NONE
SHT 1 OF 1	
SIZE A	

00A	8/13/2020	MES	DWR	DWR	RELEASED TO PRODUCTION	V09002DZ/13
REV	DATE	BY	CHK	APR	DESCRIPTION	ECN

D101000DA/15