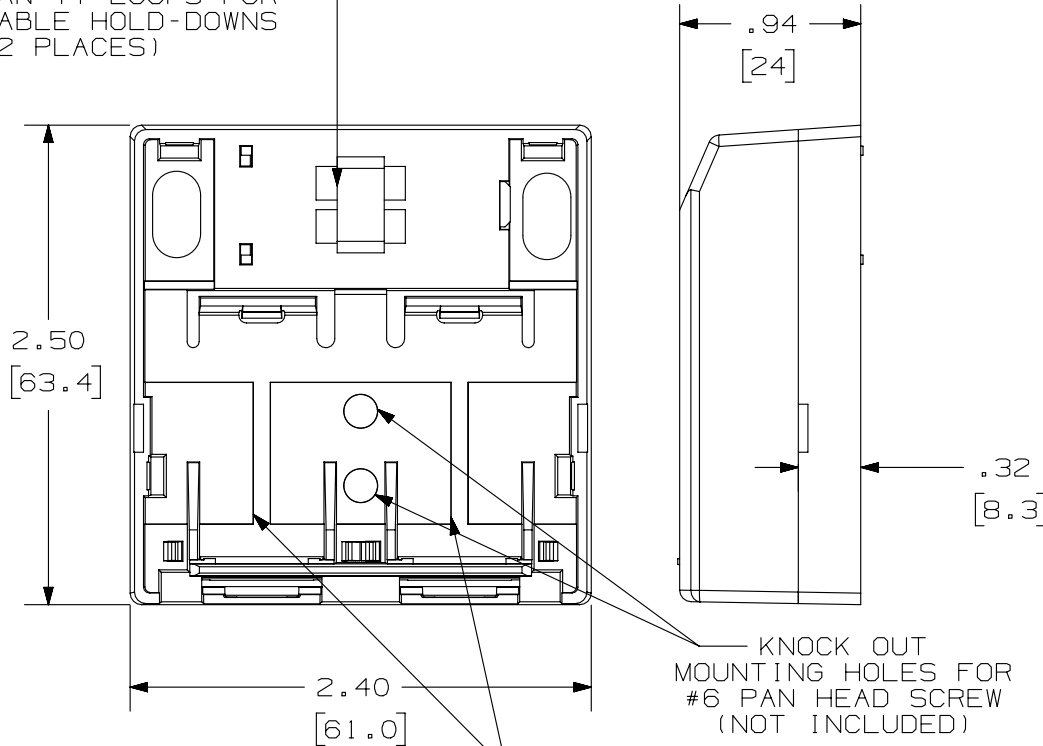


THIS COPY IS PROVIDED ON A RESTRICTED BASIS AND IS NOT TO BE USED IN ANY WAY DETRIMENTAL TO THE INTERESTS OF PANDUIT CORP.

PANDUIT P/N	WEIGHT
CBXS2**-A	.53 LB/10 PCS (242.5 g/10 PCS)

PAN-TY LOOPS FOR
CABLE HOLD-DOWNS
(2 PLACES)



NOTES:

1. SEE CURRENT CATALOG FOR ADDITIONAL PART NUMBER SUFFIXES TO INDICATE COLOR AND OR PACKAGE QUANTITY.
2. SEE CATALOG FOR A COMPLETE LIST OF PARTS APPLICABLE FOR USE WITH THIS PART.
3. DIMENSIONS IN [] ARE IN METRIC.
4. ALSO INCLUDED WITH BOX:
2- PLT1M-M PAN-TY
1- STRIP OF 1.00" X .75" FOAM TAPE FOR MOUNTING
5. BASE HAS 1 POCKET FOR OPTIONAL MAGNET (CSBM-X)
6. BREAKOUTS DESIGNED TO ACCEPT LD5/LDPH5 RACEWAY. (DOES NOT ENTER BOX.)

NO WARRANTY, EXPRESSED OR IMPLIED, IS MADE BY PANDUIT WITH RESPECT TO ADHESIVE BOND PERFORMANCE. AMONG OTHER THINGS, THE CONDITIONS UNDER WHICH THESE MOUNTS MAY BE APPLIED AND/OR THE SURFACE TO WHICH THEY MAY BE APPLIED ARE BEYOND PANDUIT'S CONTROL.

PART NUMBER		CBXS2**-A	
TITLE			
MINI-COM 2 POSITION SHUTTERED SURFACE MOUNT BOX			
CUSTOMER DRAWING			
ITEM REVISION NAME		M00800AA/06	
DATASET FILE NAME		M00800AA_DC/06A	
UNLESS OTHERWISE SPECIFIED, DIMENSIONAL TOLERANCES ARE: IN [mm]		MATERIAL:	
.x ± .xx ± .03 [.8]		ABS	
.xxx ± .010 [.3]		DRAWING NUMBER:	
ANGLES ±		00800-14	
THIRD ANGLE PROJECTION		SHT 1 OF 1	
DRAWN BY	DATE	CHK	SCALE
JSP	12-5-00	PBD	NONE
REV	DATE	BY	CHK
1	3/18/14	JSP	REFR
R	12-5-00	JSP	PBD
APR			
DESCRIPTION		ECN	
B. REVISED DRAWING FROM 2 PAGES TO 1. A. REVISED DRAWING TITLE BLOCK.		00800-14	
RELEASED TO PRODUCTION		00800-14	

REV	DATE	BY	CHK	APR	DESCRIPTION	ECN
1	3/18/14	JSP	REFR	MMR	B. REVISED DRAWING FROM 2 PAGES TO 1. A. REVISED DRAWING TITLE BLOCK.	00800-14
R	12-5-00	JSP	PBD	PBD	RELEASED TO PRODUCTION	00800-14

D101000DA/14