

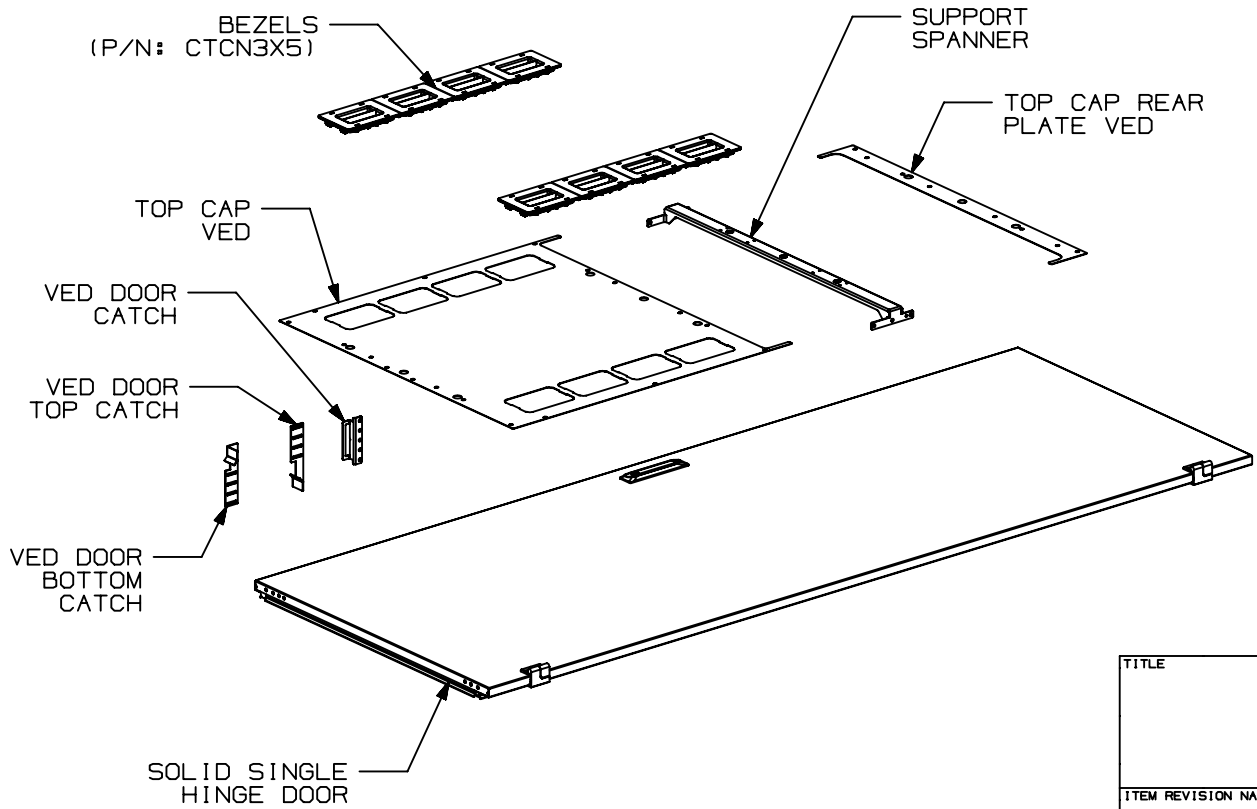
THIS COPY IS PROVIDED ON A RESTRICTED BASIS AND IS NOT TO BE USED IN ANY WAY DETRIMENTAL TO THE INTERESTS OF PANDUIT CORP.

PANDUIT PART NO.	DESCRIPTION	DIM "A"	WEIGHT
XG-TEKIT845*	FLEXFUSION 800 X 45RU THERMAL EXHAUST KIT	2083 [82.0]	25.3 Kg/EACH 55.8 LBS/EACH
XG-TEKIT848*	FLEXFUSION 800 X 48RU THERMAL EXHAUST KIT	2216 [87.2]	26.6 Kg/EACH 58.6 LBS/EACH

* DENOTES COLOR
ADD SUFFIX "B" FOR BLACK AND "W" FOR WHITE.

NOTES:

- VISIT OUR ON-LINE CATALOG AT WWW.PANDUIT.COM FOR A LIST OF CURRENT PARTS APPLICABLE FOR USE WITH THIS PRODUCT.
- PRIMARY DIMENSIONS ARE IN MILLIMETERS.
- PARTS SUPPLIED:
 - (1) SOLID SINGLE HINGE DOOR ASSEMBLY
 - (1) TOP CAP VED
 - (1) TOP CAP REAR PLATE VED
 - (1) SUPPORT SPANNER
 - (8) BEZELS (P/N: CTCN3X5)
 - (1) VED DOOR CATCH
 - (1) VED DOOR TOP CATCH
 - (1) VED DOOR BOTTOM CATCH
 - (1) TOP CAP VED TOP CAP HARDWARE KIT (NOT SHOWN)
 - (12) M5 X 12mm SCREWS (NOT SHOWN)
 - (8) M6 X 12mm SCREWS (NOT SHOWN)
 - (8) M6 TOOTH WASHER (NOT SHOWN)
 - (1) INSTALLATION INSTRUCTIONS (NOT SHOWN)



TITLE		FLEXFUSION™ THERMAL EXHAUST KIT (XG-TEKIT****) CUSTOMER DRAWING		
ITEM REVISION NAME		02732NAJ/00		PANDUIT
DATASET FILE NAME		02732NAJ_DC/00A		
				MATERIAL: N/A
				DRAWING NUMBER: 02732NAJ-DC
DRAWN BY MEX-JAGC		DATE 2/9/23	CHK MCIS	SCALE NONE
REV		DATE	BY	CHK
DESCRIPTION		ECN	SHT 1 OF 2	

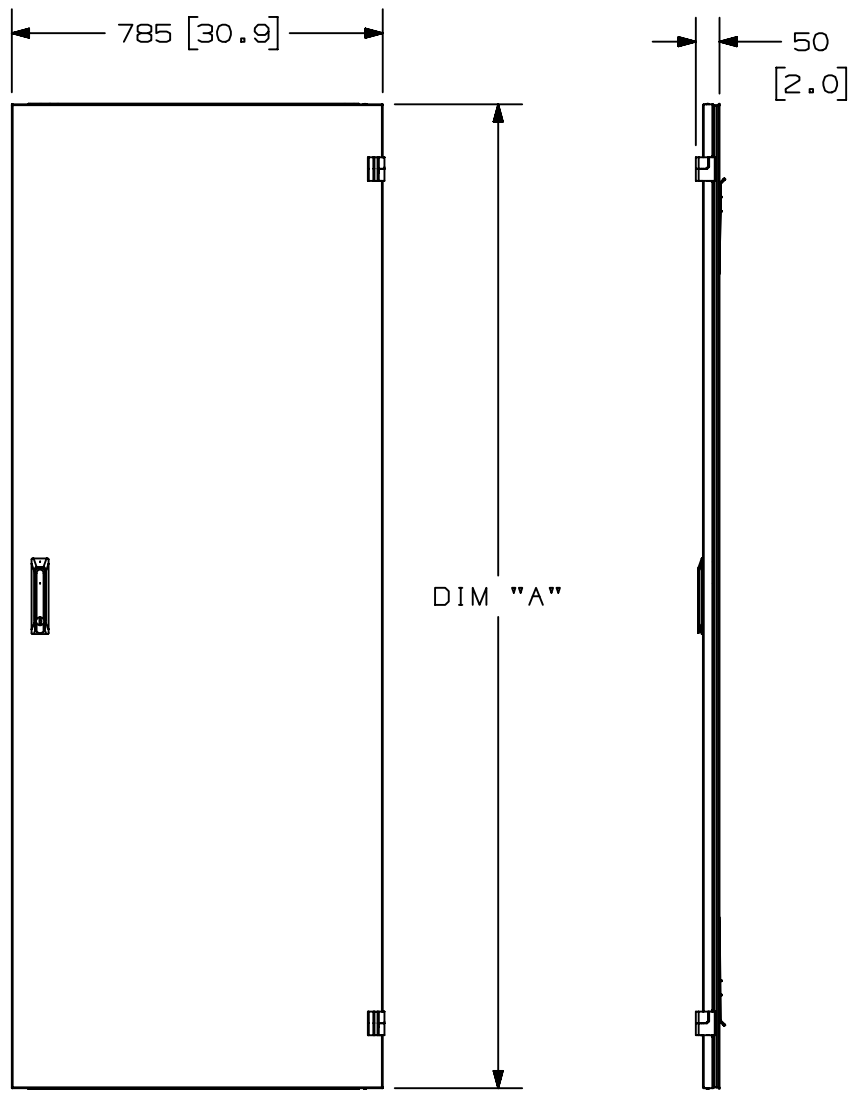
XGLOBAL_ASIZE

2

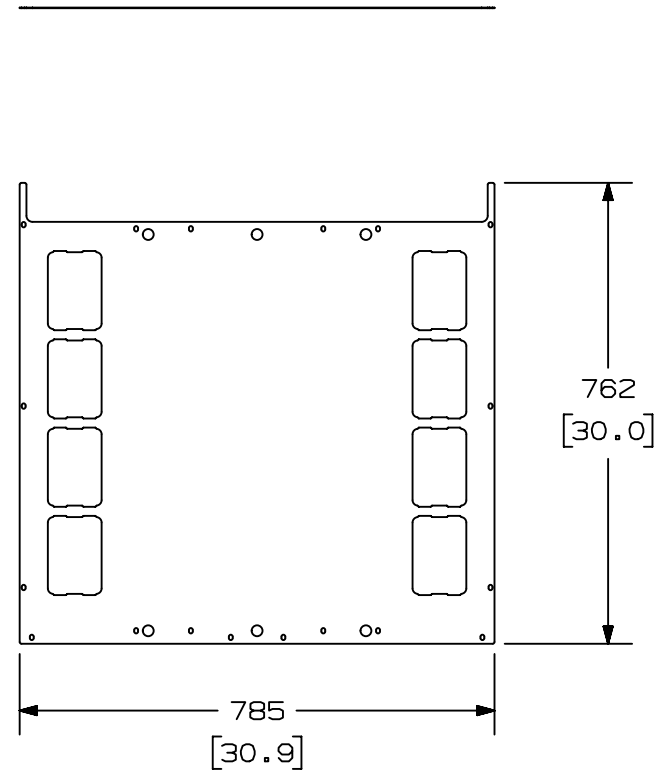
1

THIS COPY IS PROVIDED ON A RESTRICTED BASIS AND IS NOT TO BE USED IN ANY WAY DETRIMENTAL TO THE INTERESTS OF PANDUIT CORP.

SOLID HINGE DOOR ASSEMBLY



TOP CAP VED



TITLE		FLEXFUSION™ THERMAL EXHAUST KIT (XG-TEKIT****)			CUSTOMER DRAWING	
ITEM REVISION NAME		02732NAJ/00			PANDUIT	
DATASET FILE NAME		02732NAJ_DC/00A				
MATERIAL:		N/A				
DRAWING NUMBER:		02732NAJ-DC				
DRAWN BY		DATE	CHK	SCALE	SHT 2 OF 2	SIZE
MEX-JAGC		2/9/23	MCIS	NONE		A

GLOBAL-ASIZE

2

1