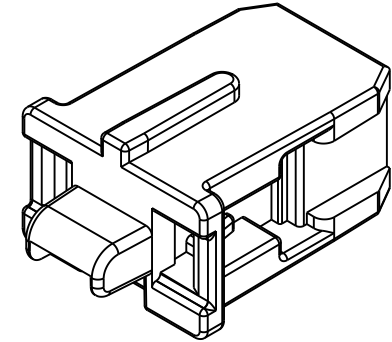
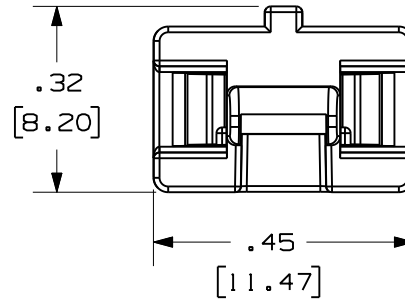
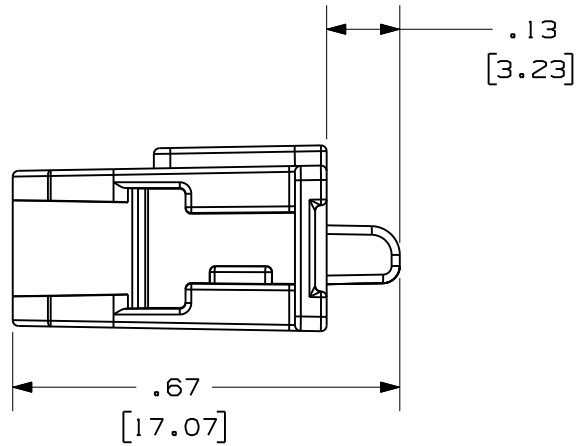


THIS COPY IS PROVIDED ON A RESTRICTED BASIS AND IS NOT TO BE USED IN ANY WAY DETRIMENTAL TO THE INTERESTS OF PANDUIT CORP.



NOTES

1. COMPATIBLE WITH MOST FOCIS-3 ADAPTERS
2. DIMENSIONS IN [ ] ARE MILLIMETERS
3. AVAILABLE IN THE FOLLOWING COLORS

PART NUMBER	COLOR
PSL-SCBD	RED
PSL-SCBD-BL	BLACK
PSL-SCBD-BU	BLUE
PSL-SCBD-EI	ELECTRIC IVORY
PSL-SCBD-AQ	AQUA
PSL-SCBD-AG	APC GREEN

4. STANDARD PACK CONSISTS OF 10 DEVICES AND 1 REMOVAL TOOL
5. ADD "-C" TO PART NUMBER FOR BULK PACKAGE (100 DEVICES AND 5 REMOVAL TOOLS)

CAD FILENAME/LAYERS 101214B0\_DC\_C10808/08B

PANDUIT CORP. TINLEY PARK, ILLINOIS

SC BLOCKOUT DEVICE  
CUSTOMER DRAWING

UNLESS OTHERWISE SPECIFIED,  
DIMENSIONAL TOLERANCES ARE:  
(.X) ± .1 (.XXX) ± .01  
(.XX) ± .02 ANGLES ± 5°

UNLESS OTHERWISE SPECIFIED,  
ALL DIMENSIONS ARE GIVEN  
IN INCHES, THIRD ANGLE PROJECTION.

REV	DATE	BY	CHK	DESCRIPTION	ECN	R	CUST	SUP
1	8/24/10	JHAC		DRAWING RELEASE	6059	R		
0	6/8/10	JHAC		NOT RELEASED BEFORE CHANGE WAS REQUESTED				

DRAWN BY JHAC	MAT'L: POLYCARBONATE	SCALE 3:1
DATE 06/08/10		DRAWING NO. C10808
CHK'D		DWG A SIZE