

PANDUIT P/N	WEIGHT
P12D13M	5.9kg

NOTES:

1. IDENTIFICATION:

UNIT TYPE:	MONITORED INPUT
ORIENTATION:	HORIZONTAL, 1U
OUTLET QTY&TYPE:	(12) C13
BREAKER QTY&TYPE:	N/A
INPUT VOLTAGE:	100-240VAC
INPUT CURRENT:	20A (16A DERETED)
INPUT PHASE:	SINGLE-PHASE
RATED POWER:	3.3kVA
INPUT PLUG:	NEMA L6-20P
INPUT CORD LENGTH:	3m [10']

2. ACCESSORIES:

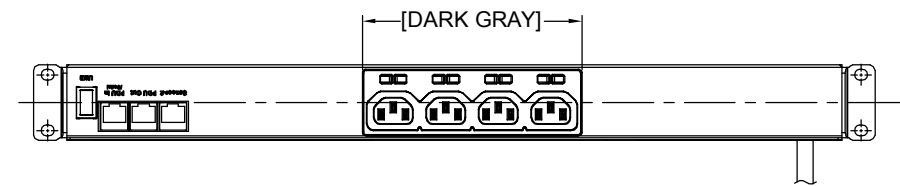
- POCKET GUIDE
- QTY: (4) M6 X 12 PAN HEAD MACHINE SCREWS
- QTY: (4) M6 CAGED NUT

3. RoHS COMPLIANT

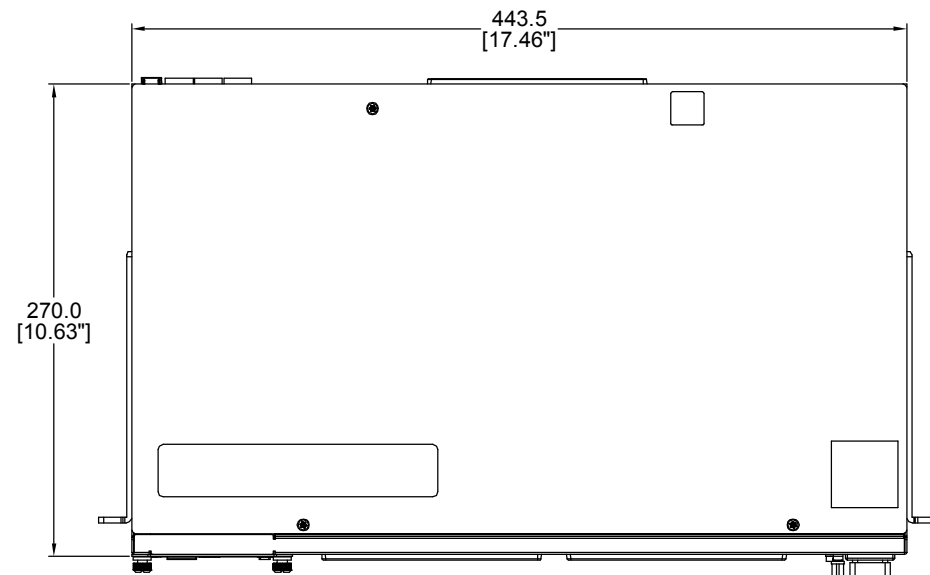
4. VISIT PANDUIT'S ON-LINE CATALOG AT WWW.PANDUIT.COM FOR ADDITIONAL PRODUCT INFORMATION CONTAINED IN THE SPECIFICATION SHEET AS WELL AS A CURRENT LIST OF PRODUCTS APPLICABLE FOR USE WITH THIS PART

5. MAXIMUM ALLOWABLE INPUT POWER = 3.3kW

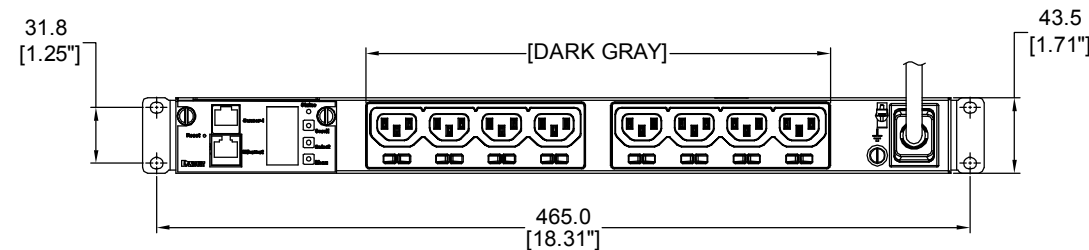
6. INSTALLATION SHALL COMPLY WITH ALL APPLICABLE NATIONAL, STATE, AND LOCAL CODES



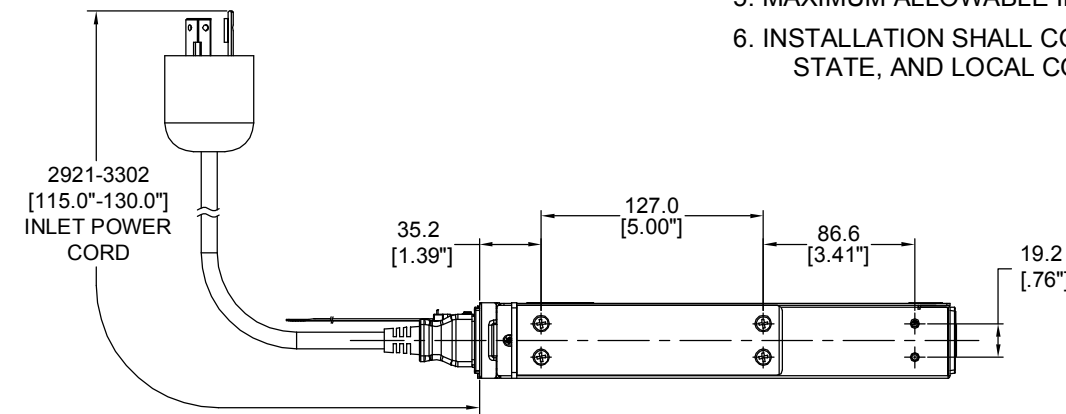
REAR VIEW



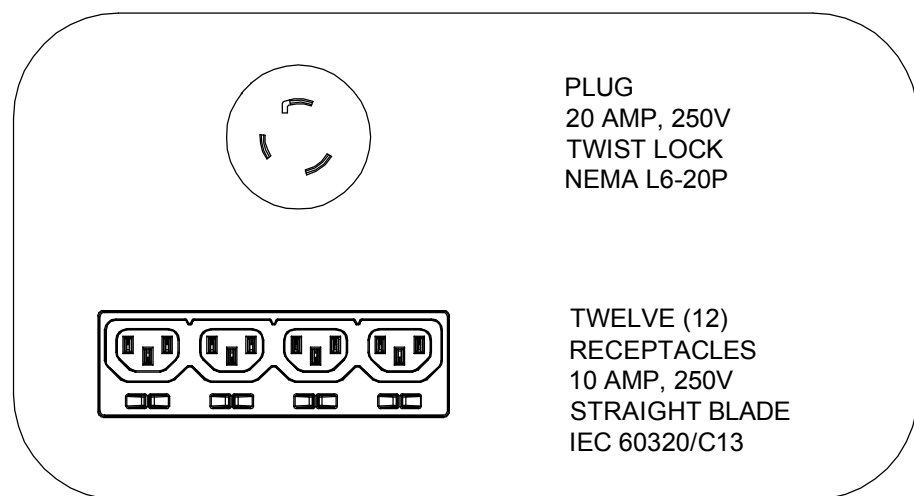
TOP VIEW



FRONT VIEW



SIDE VIEW



REV	DATE	BY	CHK	APR	DESCRIPTION	ECN
01A	07/19/2017	WSJ	MIM	EDM	INITIAL RELEASE	P12D13M

WE ASK THAT YOU CHECK FULLY THE DIMENSIONS, NOTES, AND SIGN THE CLIENT SIGNATURE BOX. THE JOB WILL NOT PROGRESS WITHOUT SIGNED APPROVAL. PLEASE DO NOT DELAY IN RETURNING PROOF AS IT WILL AFFECT DELIVERY		SIGN
		DATE
		PRINT
TITLE INTELLIGENT SERIES PDU P12D13M CUSTOMER DRAWING		
ITEM REVISION NAME		PANDUIT
DATASHEET FILE NAME:		
UNLESS OTHERWISE SPECIFIED DIMENSIONAL TOLERANCE ARE: mm [IN]		MATERIAL/COLOR: N/A
Tolerance(mm) 0<4<50 ±0.5 50<4<250 ±1.0 250<4<500 ±1.5 500<4<1000 ±2.5 1000<4<2000 ±4.0		DRAWING NUMBER: P12D13M_DC
THIRD ANGLE PROJECTION		
DRAWN BY: WSJ	DATE: 07/19/2017	CHK: SEAN
SCALE: NONE		SHT 1 OF 1
		SCALE: B