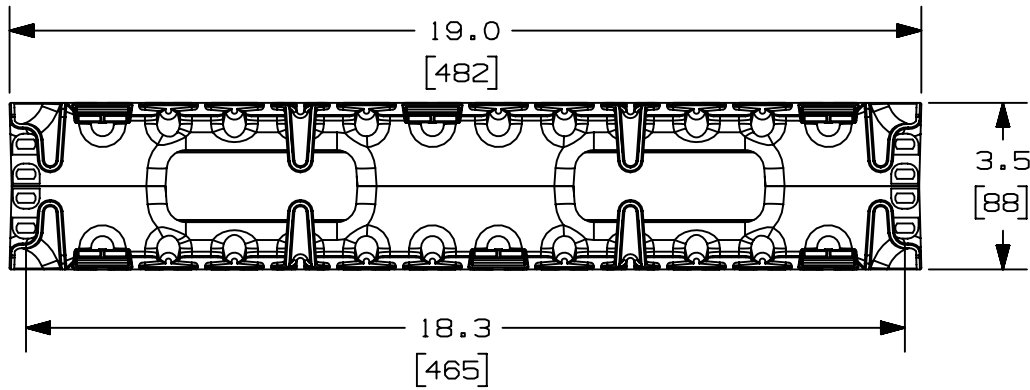


2

1

THIS COPY IS PROVIDED ON A RESTRICTED BASIS AND IS NOT TO BE USED IN ANY WAY DETRIMENTAL TO THE INTERESTS OF PANDUIT CORP.

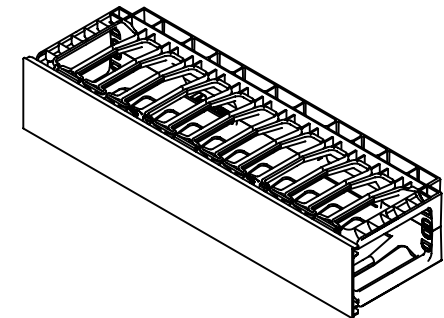
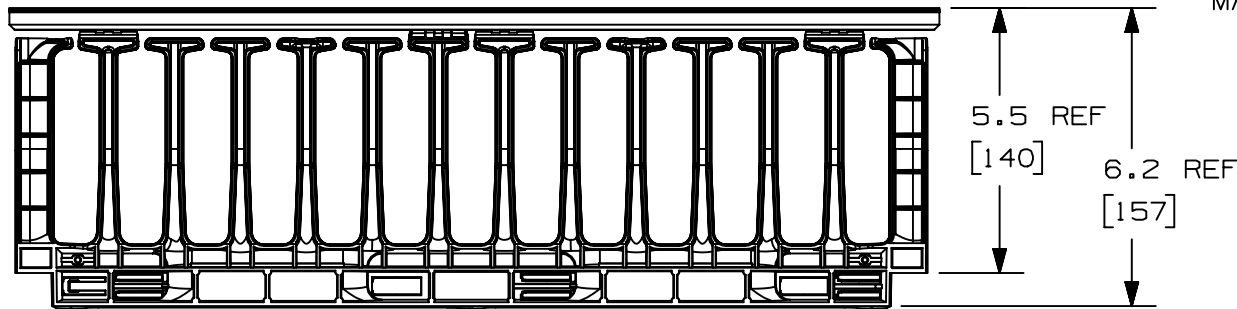


PANDUIT P/N	WEIGHT
NMF2 NMF2WH	1.6 LBS/EACH 730 g/EACH

NOTES:

- VISIT OUR ON-LINE CATALOG AT [WWW.PANDUIT.COM](http://WWW.PANDUIT.COM) FOR A CURRENT LIST OF PRODUCTS APPLICABLE FOR USE WITH THIS PART.
- COMPONENTS:  
1- 2RU MANAGER (FRONT ONLY)  
1- 2RU 19" COVER
- DIMENSIONS IN PARENTHESIS ARE METRIC.

MAX STORAGE TEMPERATURE 65°C (149°F)  
MAX OPERATING TEMPERATURE 60°C (140°F)



B

B

A

A

TITLE												
<b>NMF2 CABLE MANAGER</b>												
CUSTOMER DRAWING												
ITEM REVISION NAME					V10404AF/02							
DATASET FILE NAME					V10404AF_DC/02B							
					THIRD ANGLE PROJECTION							
MATERIAL					DRAWING NUMBER							
MANAGER: ABS 2RU COVER: PVC					10404-16							
REV	DATE	BY	CHK	APR	DESCRIPTION	ECN	DRAWN BY	DATE	CHK	SCALE	SHEET	SIZE
02B	4/29/20	JBO	JCO	JEFK	ADDED TEMPERATURE NOTE	M09000LT	BAME	3/6/07	TCK	NONE	1 OF 1	A

2

1

A-SIZE CUSTOMER