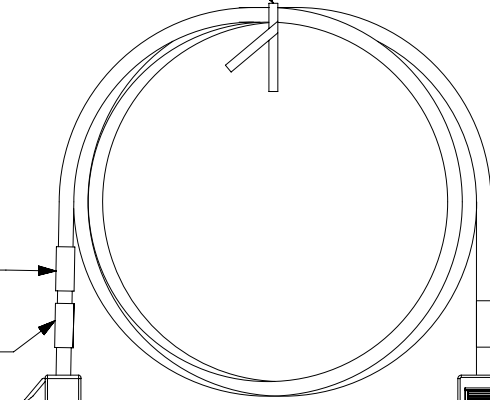


THIS COPY IS PROVIDED ON A RESTRICTED BASIS AND IS NOT TO BE USED IN ANY WAY DETRIMENTAL TO THE INTERESTS OF PANDUIT CORP.

TWIST TIE



NOTES:

1. VISIT OUR ON-LINE CATALOG AT WWW.PANDUIT.COM FOR A LIST OF CURRENT PARTS APPLICABLE FOR USE WITH THIS PRODUCT.
2. TERMINATED WITH (8 POSITION) MODULAR PLUGS AT BOTH ENDS PER T568A.
3. CONSTRUCTED WITH 24AWG STRANDED CAT5e UTP CM PATCH CABLE
4. MATERIALS:
PLUG: POLYCARBONATE
5. NOMINAL CABLE DIAMETER IS 0.215 IN (5.46MM).

IDENTIFICATION LABEL

RapidID LABEL 1

TANGLE-FREE LATCH

MODULAR PLUG

LENGTH ≥ 0.5M

PLUG POSITION ONE

RapidID LABEL 2

| CABLE COLORS | ** = COLOR |
|--------------|------------|
| OFF WHITE | -- |
| BLACK | BL |
| BLUE | BU |
| RED | RD |
| YELLOW | YL |
| GREEN | GR |
| ORANGE | OR |
| VIOLET | VL |
| GRAY | GY |

SEE SHEET 3 FOR PATCH CORD LENGTHS AND PART NUMBERS

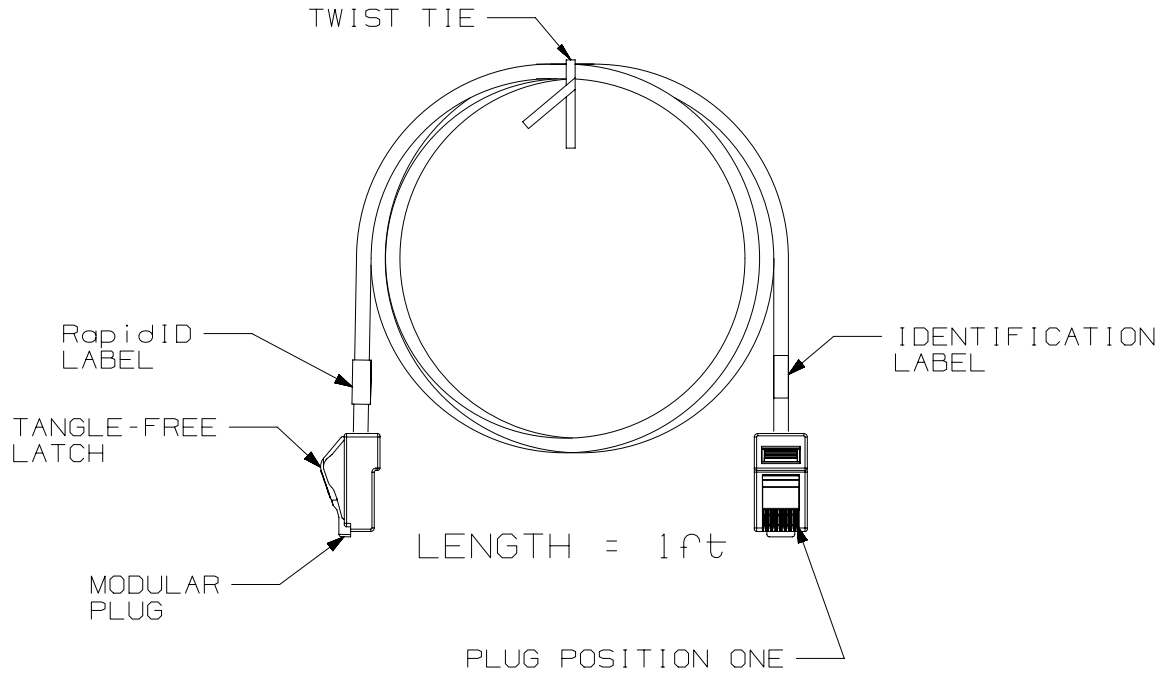
T568A WIRING SCHEME

| PLUG POSITION | CABLE WIRE |
|---------------|--------------|
| 1 | WHITE GREEN |
| 2 | GREEN |
| 3 | WHITE ORANGE |
| 4 | BLUE |
| 5 | WHITE BLUE |
| 6 | ORANGE |
| 7 | WHITE BROWN |
| 8 | BROWN |

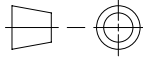
| | | | |
|---|---------|------------------------|-------|
| PART NUMBER | | UTPCHXX**Y | |
| TITLE | | | |
| TX5e UTP COPPER PATCH CORDS (CM) | | CUSTOMER DRAWING | |
| ITEM REVISION NAME | | M02479KU/06 | |
| DATASET FILE NAME | | M02479KU_DC282/06A | |
| | | THIRD ANGLE PROJECTION | |
| MATERIAL | | SEE NOTE 4 | |
| DRAWING NUMBER | | 02479-282 | |
| REV | DATE | BY | CHK |
| 06A | 5-20-21 | BJN | REFTR |
| APR | | | |
| DESCRIPTION | | ECN | |
| ADDED NEW SHEET 2 REVISED & REDRAWN PREVIOUS REVISIONS REMVD FOR CLARITY | | 02479-282 | |
| NER | 3-16-06 | WJC | NONE |
| SHEET 1 OF 3 | | A | |

| | | | | | | |
|-----|---------|-----|-------|-----|---|-----------|
| REV | DATE | BY | CHK | APR | DESCRIPTION | ECN |
| 06A | 5-20-21 | BJN | REFTR | RWI | ADDED NEW SHEET 2 REVISED & REDRAWN PREVIOUS REVISIONS REMVD FOR CLARITY | 02479-282 |

THIS COPY IS PROVIDED ON A RESTRICTED BASIS AND IS NOT TO BE USED IN ANY WAY DETRIMENTAL TO THE INTERESTS OF PANDUIT CORP.



SEE SHEET 3 FOR PATCH CORD LENGTHS AND PART NUMBERS

| | | | |
|---|---------|----------------------------------|-------|
| PART NUMBER | | UTPCHXX**Y | |
| TITLE | | TX5e UTP COPPER PATCH CORDS (CM) | |
| | | CUSTOMER DRAWING | |
| ITEM REVISION NAME | | M02479KU/06 | |
| DATASET FILE NAME | | M02479KU_DC282/06A | |
|  | | THIRD ANGLE PROJECTION | |
| MATERIAL | | SEE NOTE 4 | |
| | | DRAWING NUMBER | |
| | | 02479-282 | |
| DRAWN BY | DATE | CHK | SCALE |
| NER | 3-16-06 | WJC | NONE |
| REV | | SIZE | |
| SHEET 2 OF 3 | | A | |

| | | | | | | |
|-----|---------|-----|------|-----|----------------------------------|-----------|
| 06A | 5-20-21 | BJN | REFR | RWI | SEE SHEET 1 FOR REVISION HISTORY | 02479-282 |
| REV | DATE | BY | CHK | APR | DESCRIPTION | ECN |

A-SIZE CUSTOMER

2

1

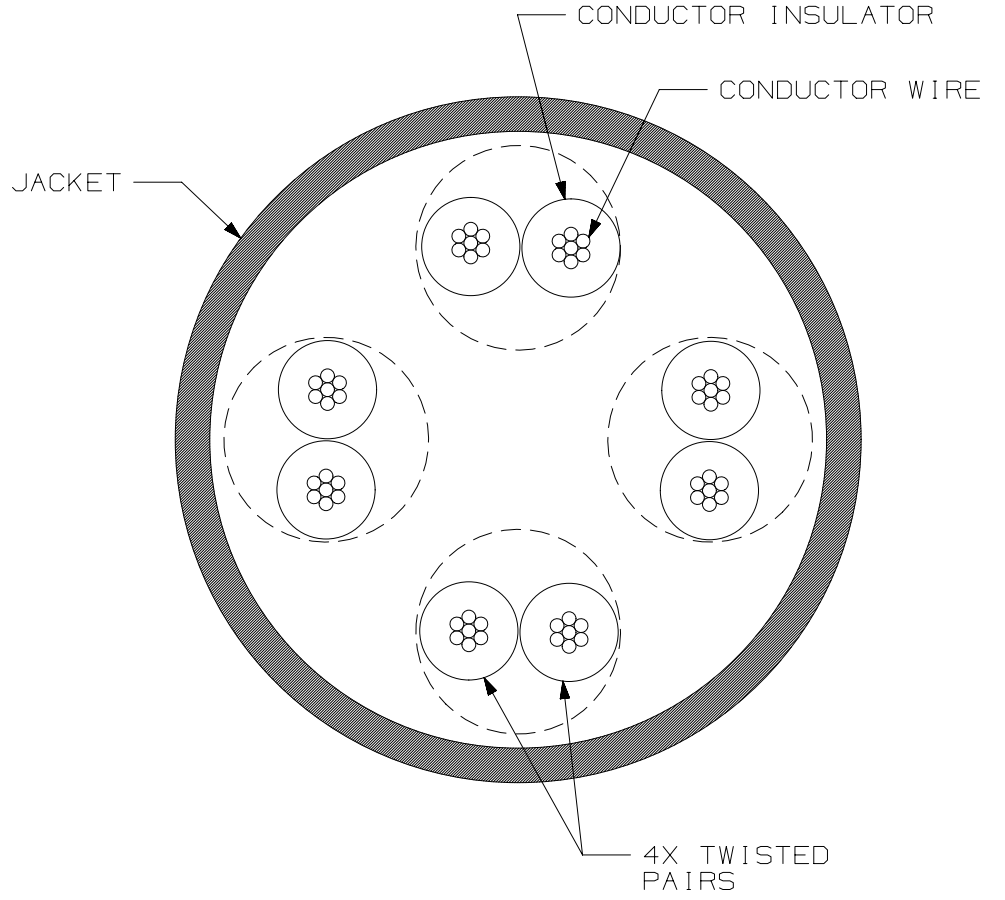
2

1

THIS COPY IS PROVIDED ON A RESTRICTED BASIS AND IS NOT TO BE USED IN ANY WAY DETRIMENTAL TO THE INTERESTS OF PANDUIT CORP.

TX5e UTP PATCH CORDS

| PANDUIT PART NUMBER | MIN. CABLE LENGTH | PANDUIT PART NUMBER | MIN. CABLE LENGTH |
|---------------------|-------------------|---------------------|-------------------|
| UTPCH1**Y | 1 FT. | UTPCH0.5M**Y | 0.5 m |
| UTPCH2**Y | 2 FT. | UTPCH1M**Y | 1 m |
| UTPCH3**Y | 3 FT. | UTPCH1.5M**Y | 1.5 m |
| UTPCH4**Y | 4 FT. | UTPCH2M**Y | 2 m |
| UTPCH5**Y | 5 FT. | UTPCH2.5M**Y | 2.5 m |
| UTPCH6**Y | 6 FT. | UTPCH3M**Y | 3 m |
| UTPCH7**Y | 7 FT. | UTPCH4M**Y | 4 m |
| UTPCH8**Y | 8 FT. | UTPCH5M**Y | 5 m |
| UTPCH9**Y | 9 FT. | UTPCH6M**Y | 6 m |
| UTPCH10**Y | 10 FT. | UTPCH7M**Y | 7 m |
| UTPCH11**Y | 11 FT. | UTPCH8M**Y | 8 m |
| UTPCH12**Y | 12 FT. | UTPCH9M**Y | 9 m |
| UTPCH13**Y | 13 FT. | UTPCH10M**Y | 10 m |
| UTPCH14**Y | 14 FT. | UTPCH15M**Y | 15 m |
| UTPCH15**Y | 15 FT. | UTPCH20M**Y | 20 m |
| UTPCH16**Y | 16 FT. | UTPCH25M**Y | 25 m |
| UTPCH17**Y | 17 FT. | UTPCH30M**Y | 30 m |
| UTPCH18**Y | 18 FT. | UTPCH35M**Y | 35 m |
| UTPCH19**Y | 19 FT. | UTPCH40M**Y | 40 m |
| UTPCH20**Y | 20 FT. | | |
| UTPCH25**Y | 25 FT. | | |
| UTPCH30**Y | 30 FT. | | |
| UTPCH35**Y | 35 FT. | | |
| UTPCH40**Y | 40 FT. | | |



| | | | |
|----------------------------------|---------|------------------------|-------|
| PART NUMBER | | UTPCHXX**Y | |
| TITLE | | | |
| TX5e UTP COPPER PATCH CORDS (CM) | | CUSTOMER DRAWING | |
| ITEM REVISION NAME | | M02479KU/06 | |
| DATASET FILE NAME | | M02479KU_DC282/06A | |
| | | THIRD ANGLE PROJECTION | |
| MATERIAL | | SEE NOTE 4 | |
| DRAWING NUMBER | | 02479-282 | |
| DRAWN BY | DATE | CHK | SCALE |
| NER | 3-16-06 | WJC | NONE |
| SHEET 3 OF 3 | | | SIZE |
| | | | A |

| 06A | 5-20-21 | BJN | REFR | RWI | SEE SHEET 1 FOR REVISION HISTORY | 02479-282 |
|-----|---------|-----|------|-----|----------------------------------|-----------|
| REV | DATE | BY | CHK | APR | DESCRIPTION | ECN |

B

B

A

A

A-SIZE CUSTOMER