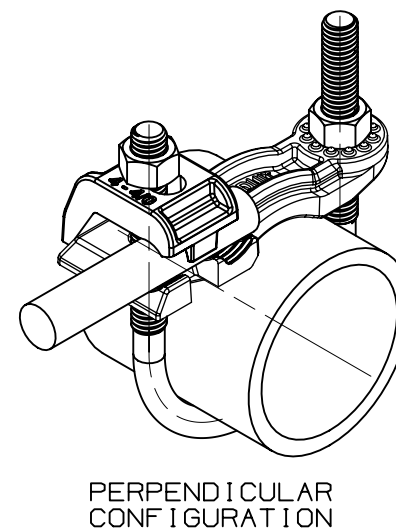
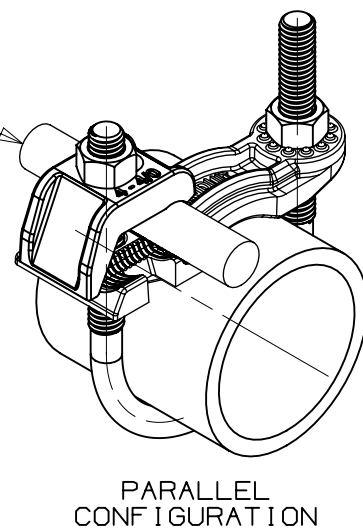
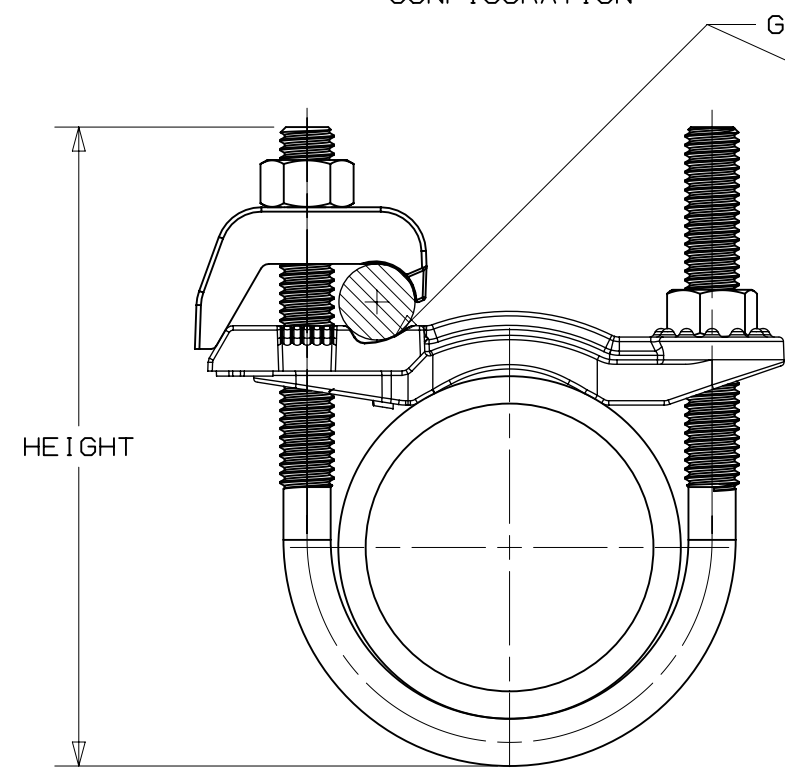
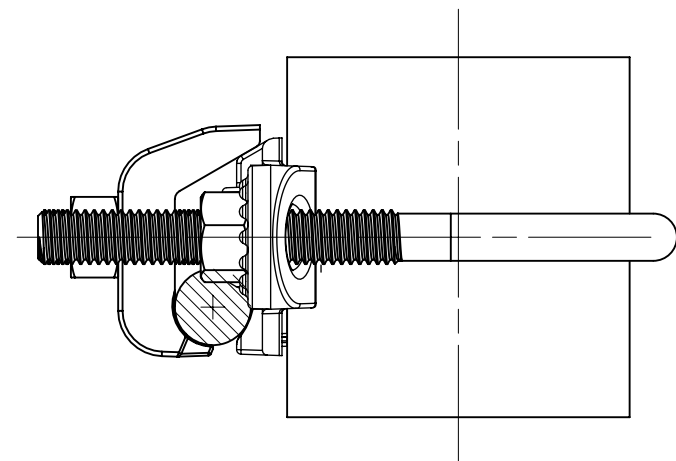
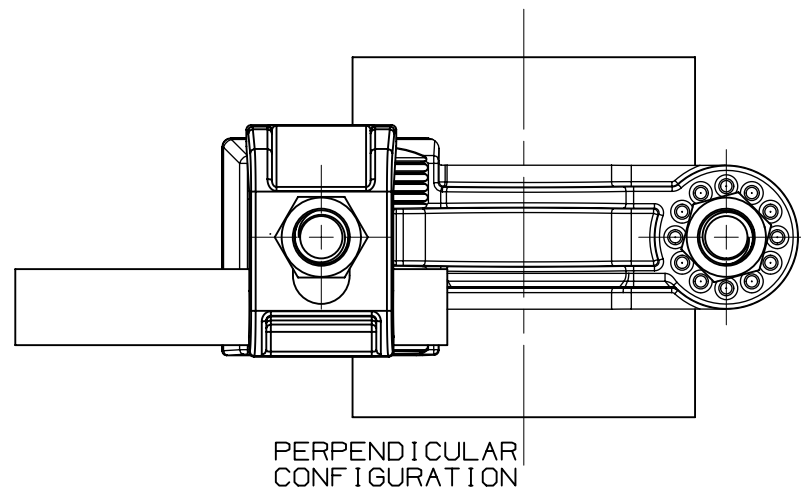
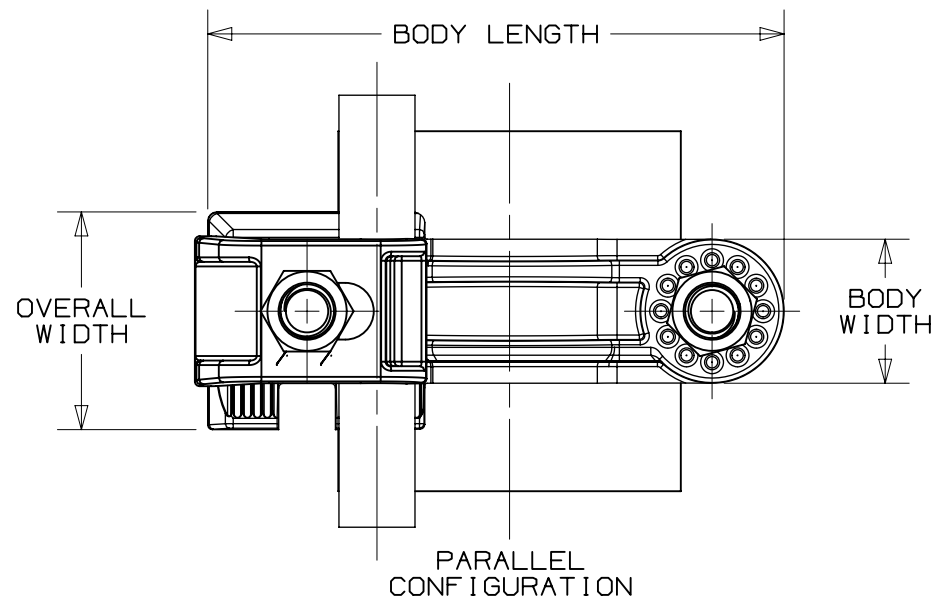


THIS COPY IS PROVIDED ON A RESTRICTED BASIS AND IS NOT TO BE USED IN ANY WAY DETRIMENTAL TO THE INTERESTS OF PANDUIT CORP.



NOTES:

1. IDENTIFICATION: GROUND BAR CLAMP
2. BODY MATERIAL: HIGH COPPER CONTENT ALLOY (NOT LESS THAN 80% COPPER)
3. HARDWARE MATERIAL: GALVANIZED STEEL



DB RATED

PART NO.	IPS PIPE SIZE / O.D. RANGE	CONDUCTOR SIZE	BODY LENGTH	OVERALL WIDTH	BODY WIDTH	HEIGHT	U-BOLT THREAD	HEX NUT SIZE	TORQUE (LB-IN)
GAR440-2-X	1/2" - 1" / 0.84 - 1.32	4 AWG - 4/0 AWG	2.94 [ 75 ]	1.50 [ 38 ]	1.00 [ 25 ]	3.38 [ 86 ]	3/8"-16	9/16"	180
GAR440-3-3	1-1/4" - 2" / 1.66 - 2.38	4 AWG - 4/0 AWG	4.00 [ 102 ]			4.41 [ 112 ]			
GAR440-5-2	4" - 5" / 4.50 - 5.56	4 AWG - 4/0 AWG	7.19 [ 183 ]			7.88 [ 200 ]			

REV	DATE	BY	CHK	APR	DESCRIPTION	ECN
00	3-06-19	RWK	-	RGB	INITIAL RELEASE	00182EAG-DC

TITLE <b>GAR440-SERIES CABLE TO PIPE GROUNDING CLAMPS</b> CUSTOMER DRAWING	
ITEM REVISION NAME 00182EAG/00	<b>PANDUIT</b>
DATASET FILE NAME 00182EAG-GAR440-SERIES PIPE CLAMPS-DC/00A	
UNLESS OTHERWISE SPECIFIED, DIMENSIONAL TOLERANCES ARE: IN [ mm ]	
.x ± 0.10 [ 2.5 ]	.xxx ±
.xx ± 0.06 [ 1.5 ]	ANGLES ±
DRAWING NUMBER: <b>00182EAG-DC</b>	
DRAWN BY RWK	DATE 1/03/2019
CHK -	SCALE N/A
SHT 1 OF 1	
SIZE B	

D10100DB/17