



PAN-WAY T702 TRANSITION FITTING

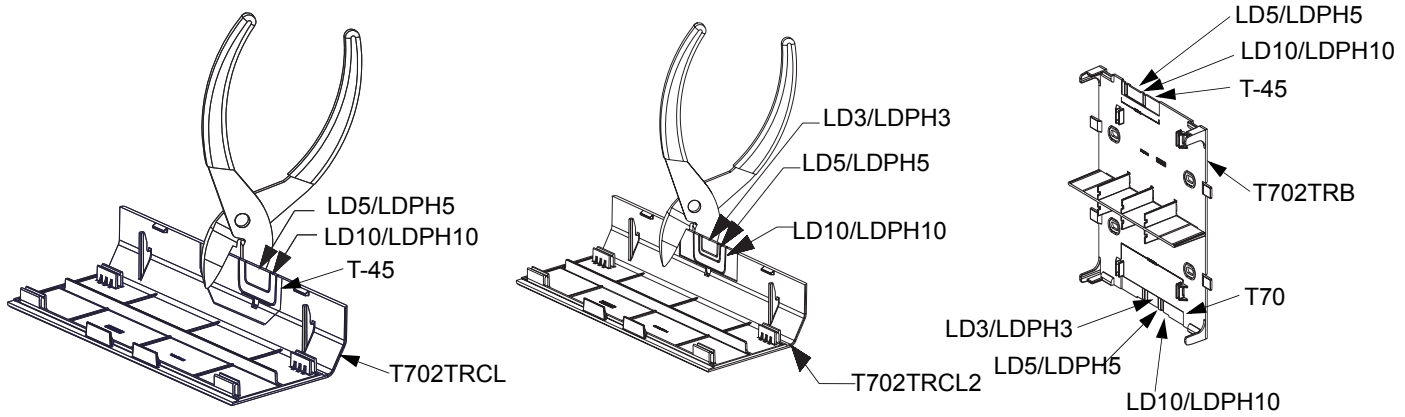
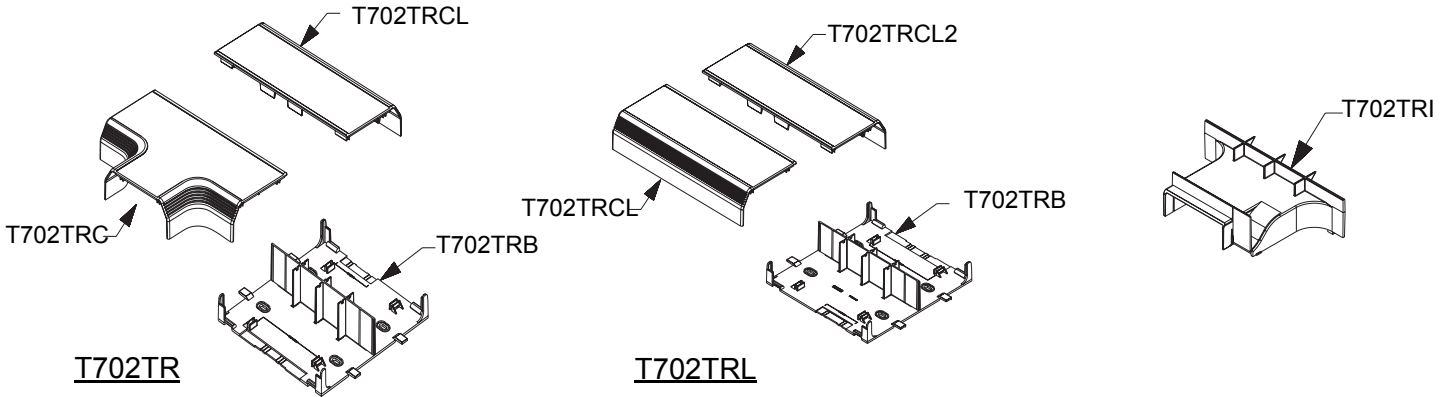
FOR USE WITH PANDUIT T702 SURFACE RACEWAY ROUTING SYSTEM

PART NUMBERS: T702TRL, T702TR, T702TRI

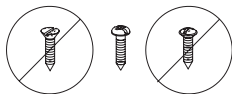
INSTALLATION INSTRUCTIONS

©Panduit Corp. 2006

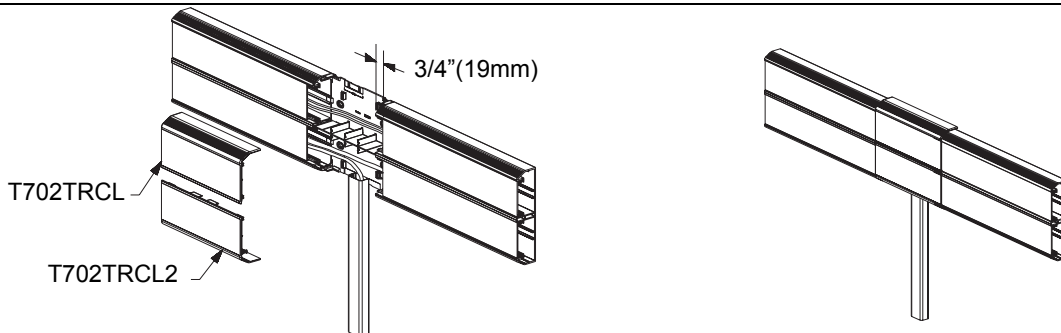
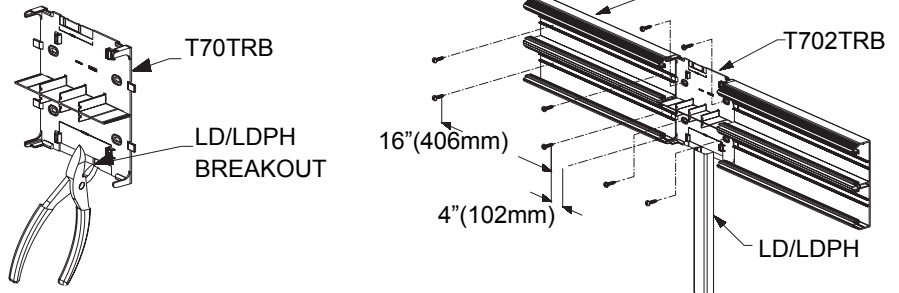
Printed in U.S.A.



POWER OR DATA (TRANSITION TO LD)



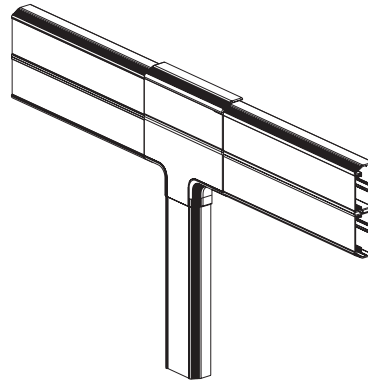
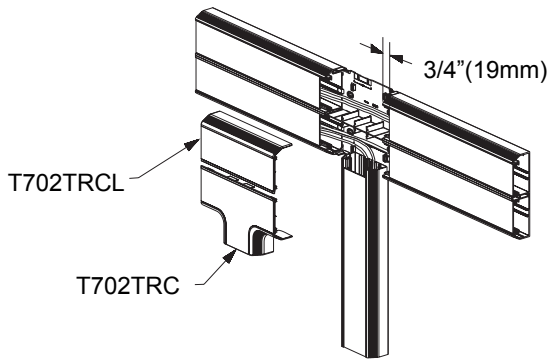
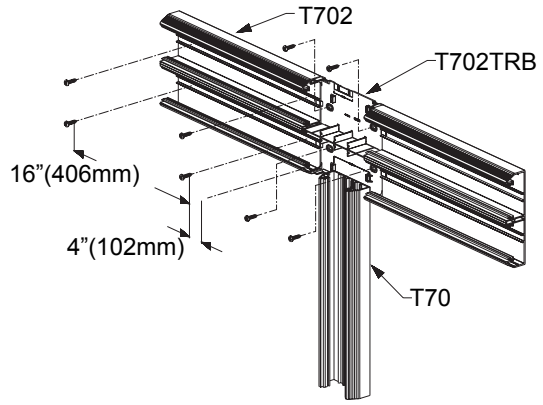
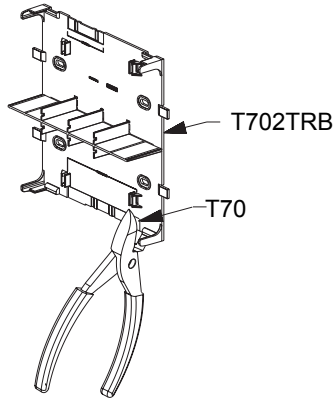
The mounting hardware used to secure the raceway shall be appropriate for the mounting surface.



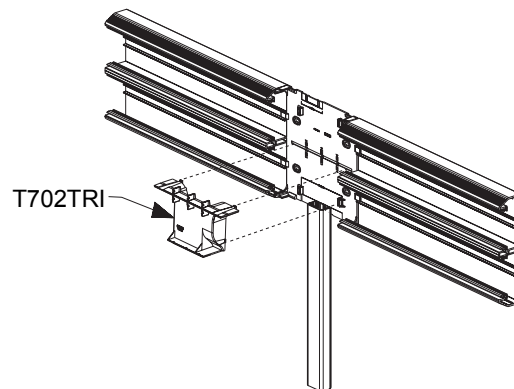
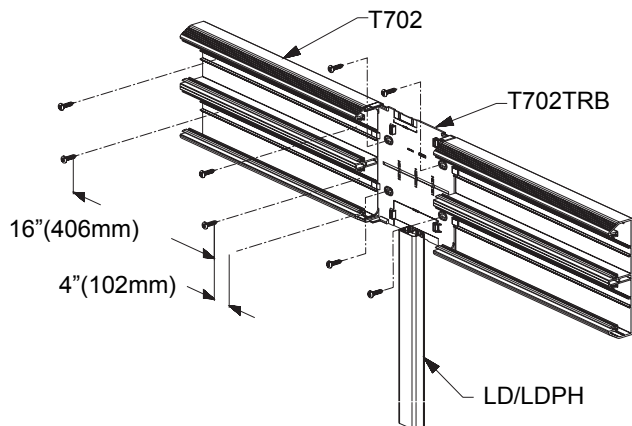
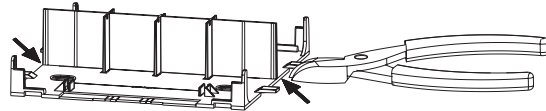
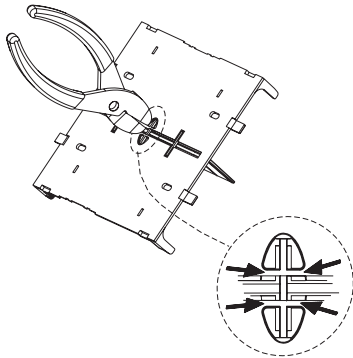
For Technical Assistance call: 866-405-6656

T702 TRANSITION FITTING INSTALLATION INSTRUCTIONS

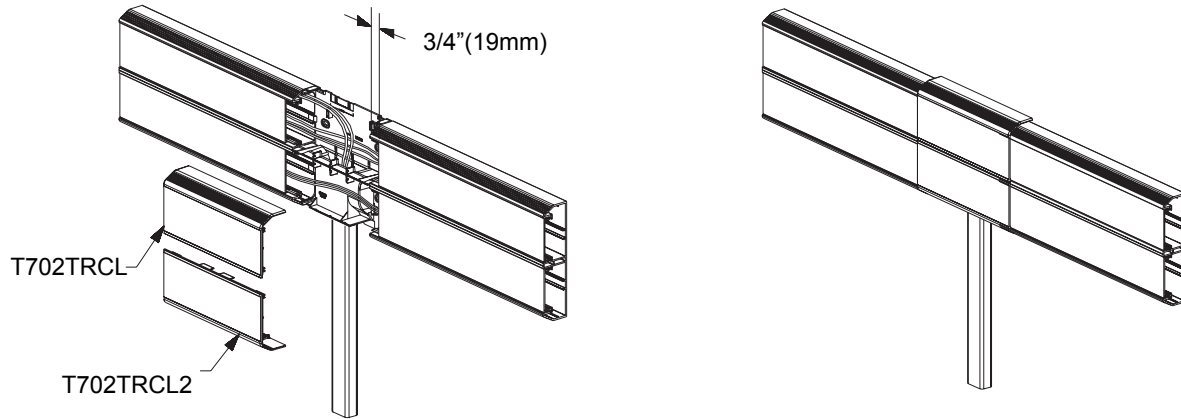
POWER OR DATA(TRANSITION TO T70)



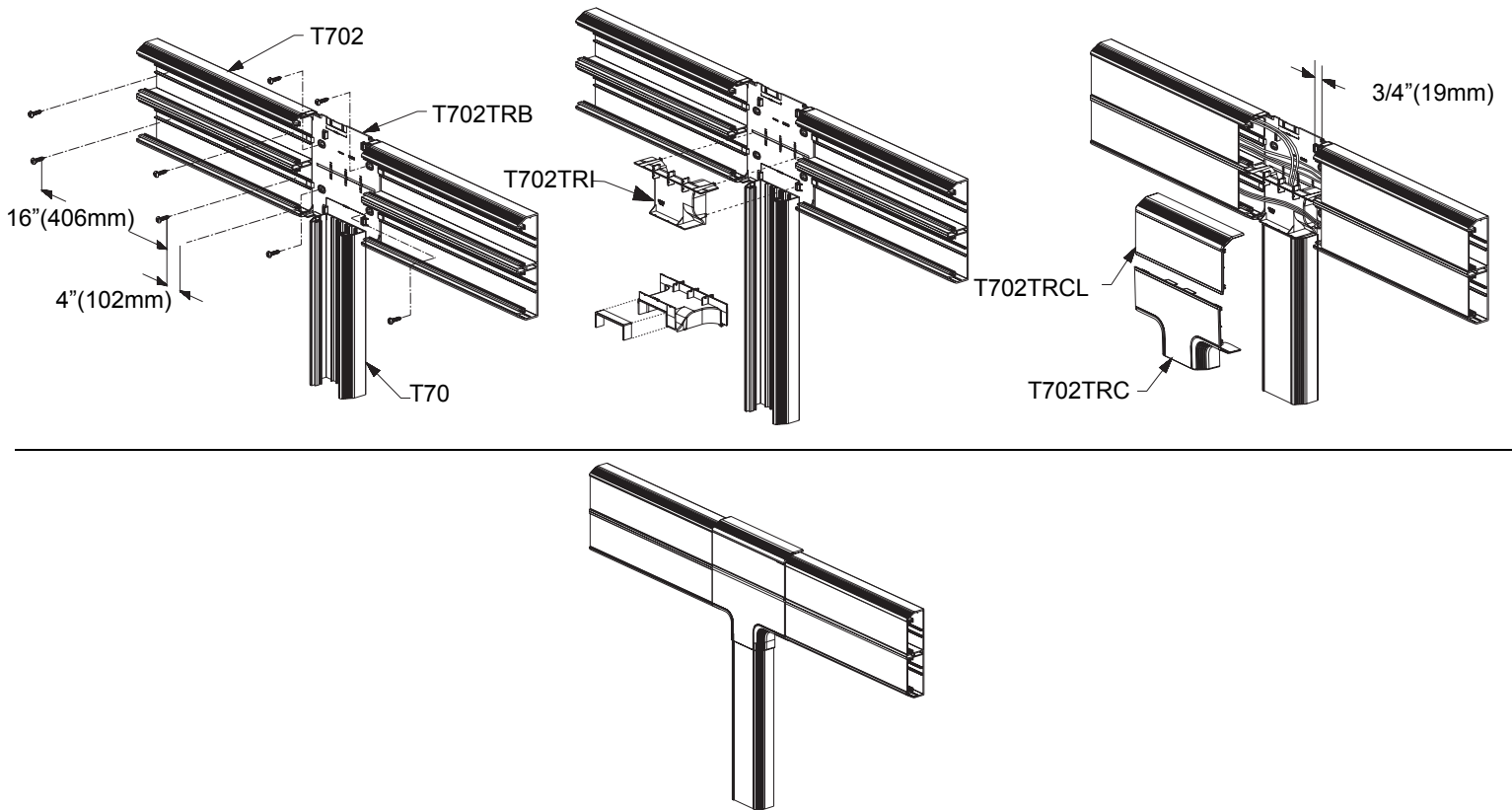
UNDIVIDED TRANSITION W/CROSSOVER



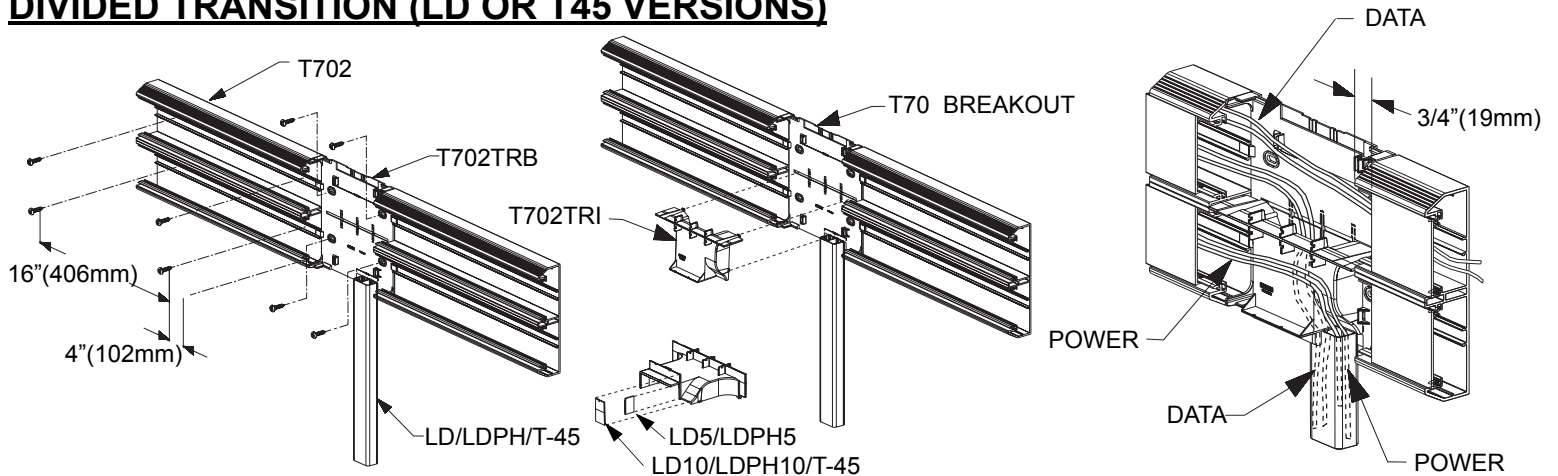
T702 TRANSITION FITTING INSTALLATION INSTRUCTIONS
UNDIVIDED TRANSITION W/CROSSOVER (LD VERSION) CONTINUED



UNDIVIDED TRANSITION W/CROSSOVER (T70 VERSION)

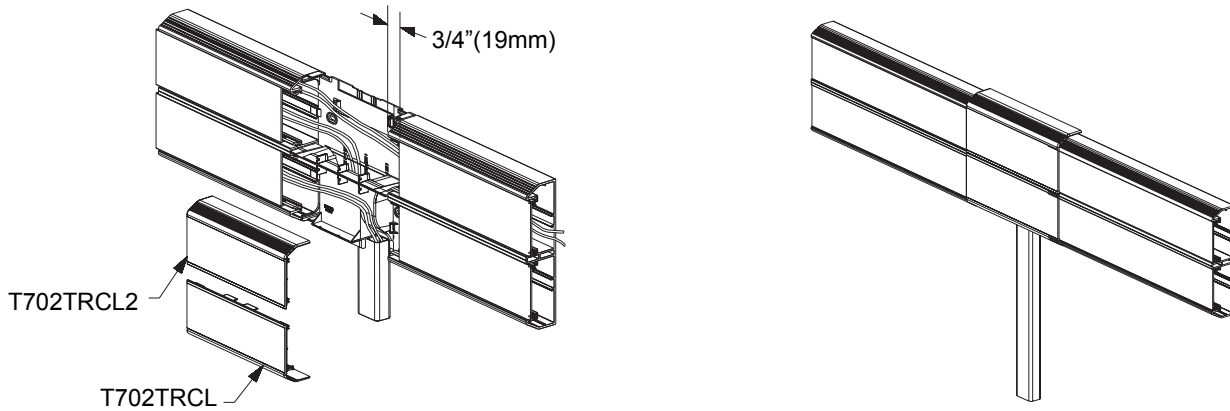


DIVIDED TRANSITION (LD OR T45 VERSIONS)

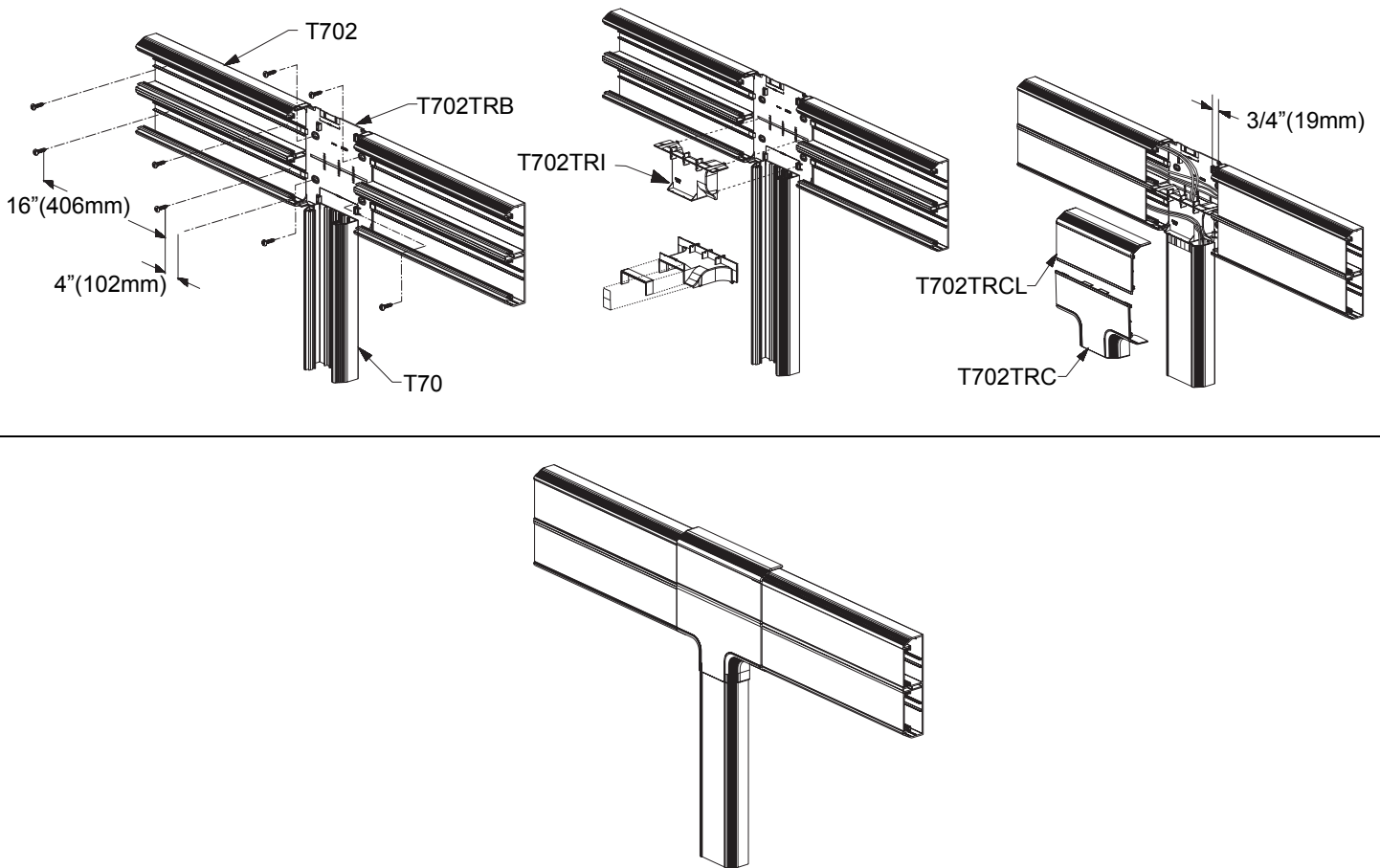


T702 TRANSITION FITTING INSTALLATION INSTRUCTIONS

DIVIDED TRANSITION (LD VERSION)



DIVIDED TRANSITION (T70)



INSTRUCTION SHEET RW12C

WORLDWIDE SUBSIDIARIES AND SALES OFFICES

17301 Ridgeland Avenue
Tinley Park, IL 60477-3091
Web Site: www.panduit.com



Technical Support: 866-405-6656
Fax: 866-449-1702
Email: netconnsupport@panduit.com