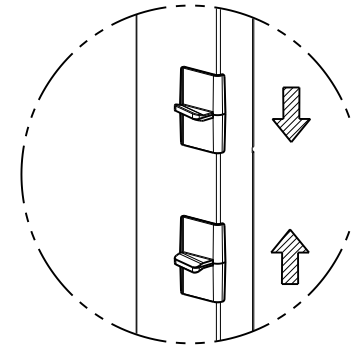
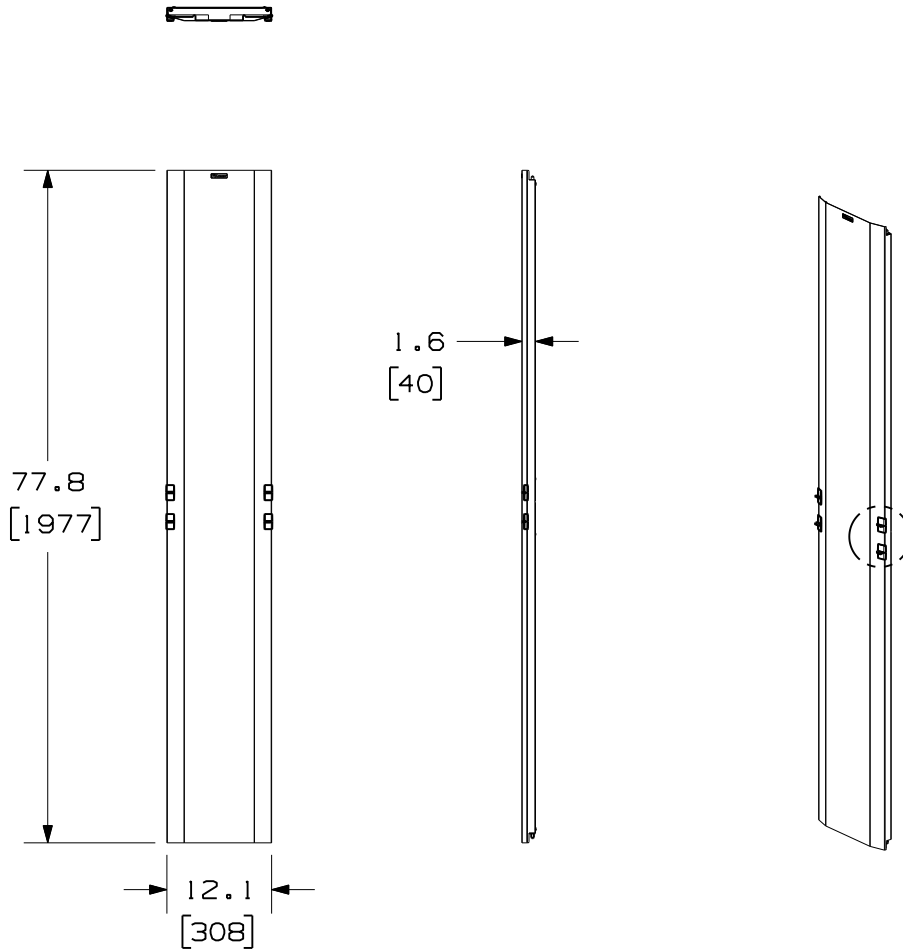


THIS COPY IS PROVIDED ON A RESTRICTED BASIS AND IS NOT TO BE USED IN ANY WAY DETRIMENTAL TO THE INTERESTS OF PANDUIT CORP.

PANDUIT P/N	WEIGHT
PRD1279	8.7 LBS/ EACH (4.0 kg/ EACH)

NOTES:

- VISIT OUR ON-LINE CATALOG AT WWW.PANDUIT.COM FOR A CURRENT LIST OF PRODUCTS APPLICABLE FOR USE WITH THIS PART.
- DOORS OPEN TO THE LEFT OR THE RIGHT.
- DIMENSIONS IN PARENTHESIS ARE METRIC.
- ALL DIMENSIONS ARE REFERENCE ONLY.
- ALUMINUM WITH BLACK POWDER COAT FINISH.
- COMPONENTS:
 - 1- 12" DOOR
 - 2- DOOR STOP BRACKETS
 - 4- #10-32 X 1/2" MOUNTING SCREWS



DOOR LATCH ACTIVATION

MODEL FILENAME	V10687AD/01
CAD FILENAME/LAYERS	V10687AD_DC/01A

PANDUIT CORP. TINLEY PARK, ILLINOIS
 12" 6.5FT PATCHRUNNER DOOR
 (PRD1279)
 CUSTOMER DRAWING

UNLESS OTHERWISE SPECIFIED,
 DIMENSIONAL TOLERANCES ARE:
 (.X) ± (.XXX) ±
 (.XX) ± ANGLES ±

UNLESS OTHERWISE SPECIFIED,
 ALL DIMENSIONS ARE GIVEN
 IN INCHES, THIRD ANGLE PROJECTION.

DRAWN BY BAME	MAT'L: ALUMINUM	SCALE NONE
DATE 1-19-10		DRAWING NO. V10687AD-DC
CHK'D NABL		DWG A SIZE

REV	DATE	BY	CHK	DESCRIPTION	ECN	R	CUST	SUP	OTH
O1A	1-19-10	BAME	NABL	RELEASED TO PRODUCTION	V10687AD-DC				