

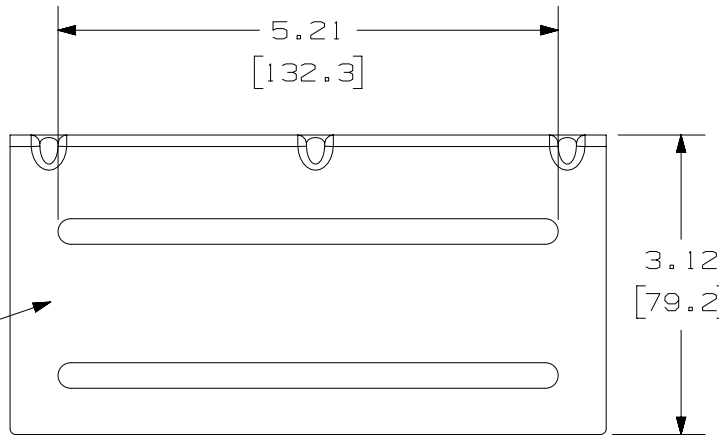
THIS COPY IS PROVIDED ON A RESTRICTED BASIS AND IS NOT TO BE USED IN ANY WAY DETRIMENTAL TO THE INTERESTS OF PANDUIT CORP.

PANDUIT P/N	WEIGHT
PWBWMW**	1.32 LBS/SET (600.1g)/SET

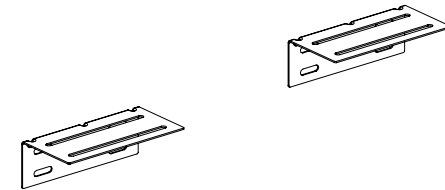
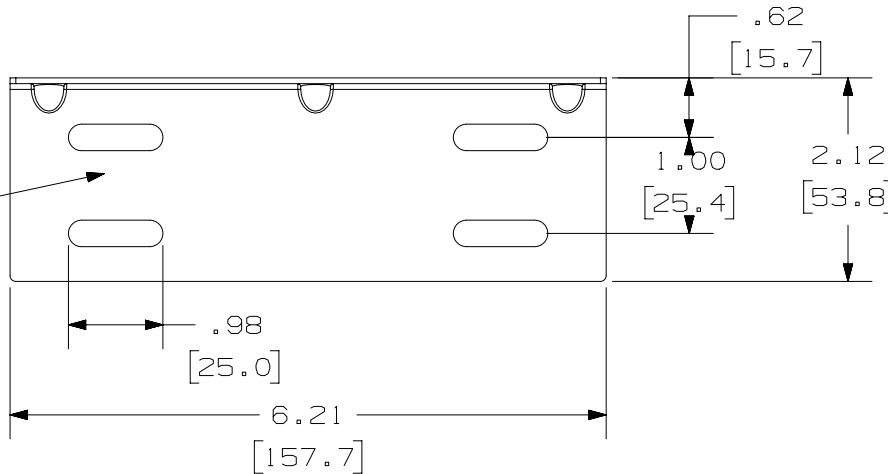
NOTES:

- VISIT OUR ON-LINE CATALOG AT WWW.PANDUIT.COM FOR A LIST OF CURRENT PARTS APPLICABLE FOR USE WITH THIS PRODUCT.
- DIMENSIONS IN [] ARE METRIC.
- PART NUMBER INCLUDES 2 BRACKETS.
- USE (4) PWBHK** FOR FASTENING TO BASKET. PWBHK** SOLD SEPARATELY.
- USE CUSTOMER SUPPLIED 1/4" OR 6mm HARDWARE TO FASTEN TO WALL.
- **= BL (BLACK POWDER COAT), WH (WHITE POWDER COAT), OR EZ (CLEAR ZINC)
- ALL MATERIALS AND COMPONENTS USED MEET THE MATERIAL RESTRICTIONS OF RoHS (EUROPEAN DIRECTIVE 2011/65/EC ON THE RESTRICTION OF HAZARDOUS SUBSTANCES) AS PROPOSED BY THE RoHS TECHNICAL ADAPTATION COMMITTEE.

LONG SLOTS ARE USED TO MOUNT BASKET TO BRACKET.



SHORT SLOTS ARE USED TO MOUNT BRACKET TO WALL.



TITLE										
WIRE BASKET WALL TERMINATION BRACKET, WIDE										
CUSTOMER DRAWING										
ITEM REVISION NAME					00510JAF/00					
DATASET FILE NAME					00510JAF_DC/00C					
MATERIAL					C.R.S.					
DRAWN BY					DATE		CHK		SCALE	
JSP					12/15/20		DWW		NONE	
DRAWING NUMBER					00510JAF-DC					
SHEET 1 OF 1					A					

REV	DATE	BY	CHK	APR	DESCRIPTION	ECN
00C	12-14-23	SAT	DWR	EB	B. UPDATED TITLE. C. REMOVED P/N FROM TITLEBLOCK.	00510JAF-DC
00B	3/18/22	JSP	DWR	ML	A. UPDATED NOTES.	00510JAF-DC
00A	12/15/20	JSP	DWW	ML	INITIAL RELEASE	00510JAF-DC

A-SIZE CUSTOMER