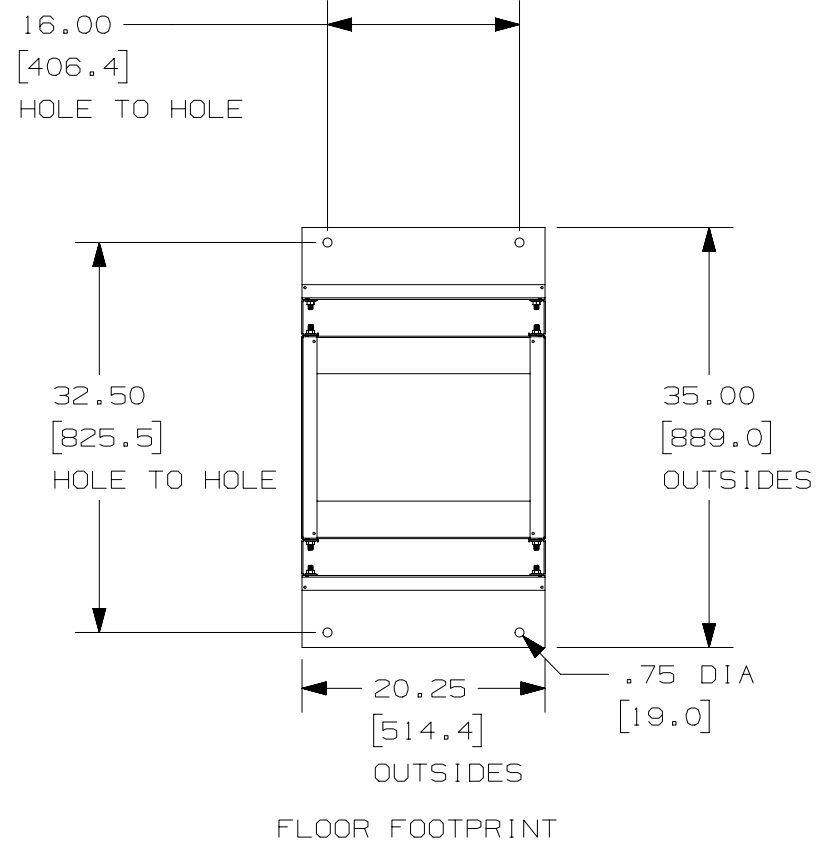


THIS COPY IS PROVIDED ON A RESTRICTED BASIS AND IS NOT TO BE USED IN ANY WAY DETRIMENTAL TO THE INTERESTS OF PANDUIT CORP.

PANDUIT PART NO.	WEIGHT
ER4P23	36.8 Kg/EACH 81 LB/EACH

NOTES:

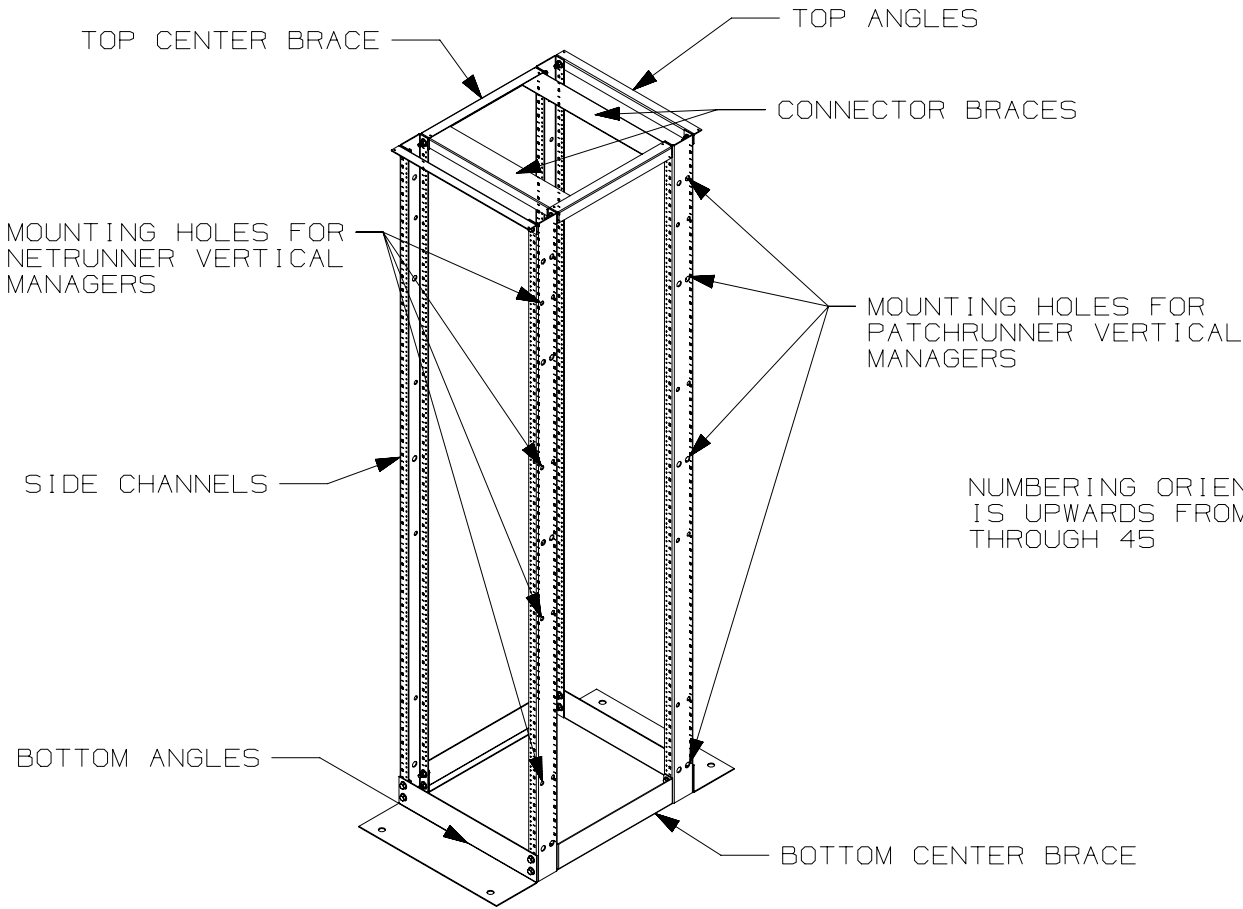
- SEE OUR ON-LINE CATALOG AT WWW.PANDUIT.COM FOR A LIST OF CURRENT PARTS APPLICABLE FOR USE WITH THIS PRODUCT.
- PRIMARY DIMENSIONS ARE IN METRIC.
- CAN BE USED WITH ANY EIA STANDARD COMPONENT IN ADDITION TO ALL PANDUIT HORIZONTAL CABLE MANAGEMENT AND PATCH PANEL PRODUCTS.
- 45 AVAILABLE RACK SPACES.
- EIA UNIVERSAL STANDARD HOLE PROGRESSION ON CHANNELS
.625", .625", .500", .625", .625", .500",
... ETC.
- PART INCLUDES:
2- TOP ANGLES
2- BOTTOM ANGLES
4- 7' CHANNELS
2- BOTTOM CENTER BRACES
2- TOP CENTER BRACES
2- CONNECTOR BRACES)
2- GROUNDING KITS - EACH KIT INCLUDES
- (12) 3/8-16 X 1" BLACK HEX HEAD CAP SCREW
- (24) 3/8" PAINT PIERCING GROUNDING WASHER
- (1) TUBE OF ANTI-OXIDIZING PASTE
- (12) 3/8-16 BLACK HEX NUTS
- LOAD RATING IS 2000 LBS.



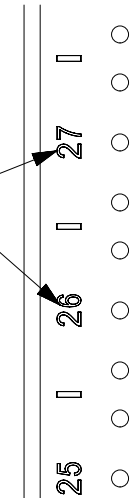
REV	DATE	BY	CHK	APR	DESCRIPTION	ECN
01A	1-10-18	BAME	JCO	JEFK	ADDED HOLES FOR MOUNTING PATCHRUNNER 2 VCM ADDED RU NUMBERING	12V346AA-DC
00B	4-10-15	TWV	NAGL	KRKE	ADDED MATERIAL: STEEL	M09000AM
00A	2-6-13	BAME	PM	CMK	DRAWING RELEASED	12V346AA-DC

TITLE TELECOMMUNICATIONS ROOM 4 POST RACK (ER4P23)					
CUSTOMER DRAWING					
ITEM REVISION NAME 12V346AA/01			PANDUIT		
DATASET FILE NAME 12V346AA_DC/01A					
MATERIAL: STEEL			DRAWING NUMBER: 12V346AA-DC		
DRAWN BY BAME	DATE 2-6-13	CHK PM	SCALE NONE	THIRD ANGLE PROJECTION	
SHT 1 OF 3			SIZE A		

THIS COPY IS PROVIDED ON A RESTRICTED BASIS AND IS NOT TO BE USED IN ANY WAY DETRIMENTAL TO THE INTERESTS OF PANDUIT CORP.



PANDUIT PART NO.	WEIGHT
ER4P23	36.8 Kg/EACH 81 LB/EACH



01A	1-10-18	BAME	JCO	JEFK	SEE SHEET ONE FOR REVISIONS	12V346AA-DC
00B	4-10-15	TWV	NAGL	KRKE	SEE SHEET ONE FOR REVISIONS	M09000AM
00A	2-6-13	BAME	PM	CMK	DRAWING RELEASED	12V346AA-DC
REV	DATE	BY	CHK	APR	DESCRIPTION	ECN

TITLE TELECOMMUNICATIONS ROOM 4 POST RACK (ER4P23)					
CUSTOMER DRAWING					
ITEM REVISION NAME 12V346AA/01			PANDUIT		
DATASET FILE NAME 12V346AA_DC/01A					
MATERIAL: STEEL			DRAWING NUMBER: 12V346AA-DC		
DRAWN BY BAME		DATE 2-6-13	CHK PM	SCALE NONE	SHT 3 OF 3
		THIRD ANGLE PROJECTION		SIZE A	