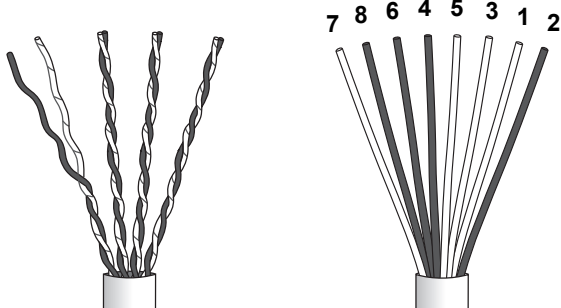




TERMINATION

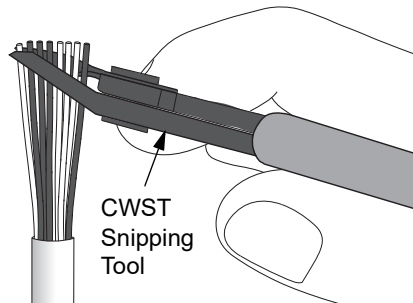
1 Remove all but one twist per pair, smooth conductors and arrange in proper color sequence.



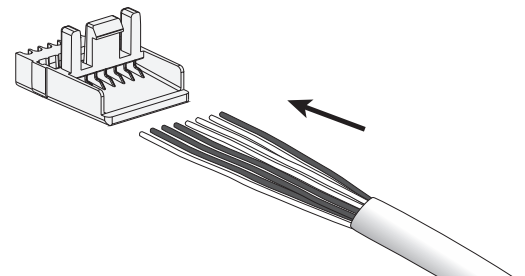
Mini-Com Mini-Jack Color-Coded Wire Positions

Part Numbers - CJ588**Y, CJ5E88**Y, CJD588**Y					
T568A			T568B		
2	GREEN	R3	2	ORANGE	R2
1	WHITE/GREEN	T3	1	WHITE/ORANGE	T2
3	WHITE/ORANGE	T2	3	WHITE/GREEN	T3
5	WHITE/BLUE	T1	5	WHITE/BLUE	T1
4	BLUE	R1	4	BLUE	R1
6	ORANGE	R2	6	GREEN	R3
8	BROWN	R4	8	BROWN	R4
7	WHITE/BROWN	T4	7	WHITE/BROWN	T4

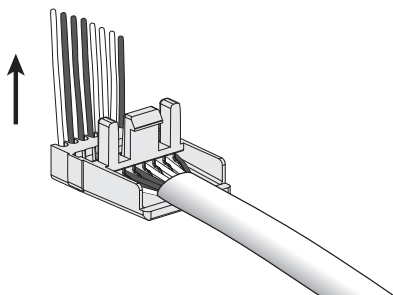
2



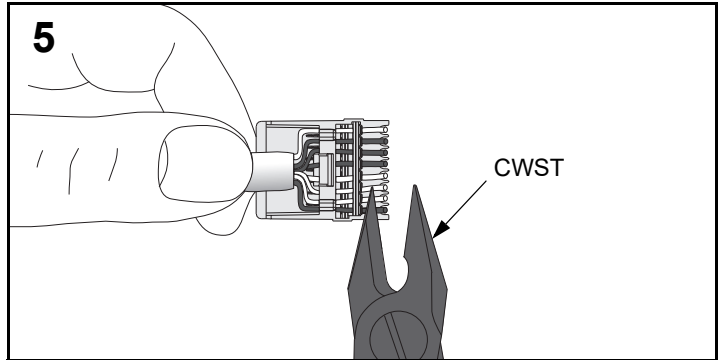
3



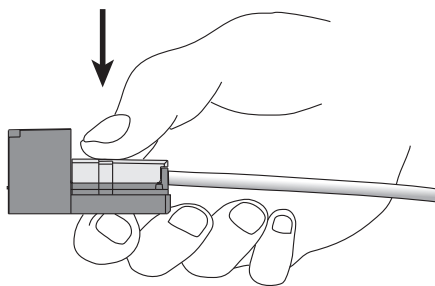
4



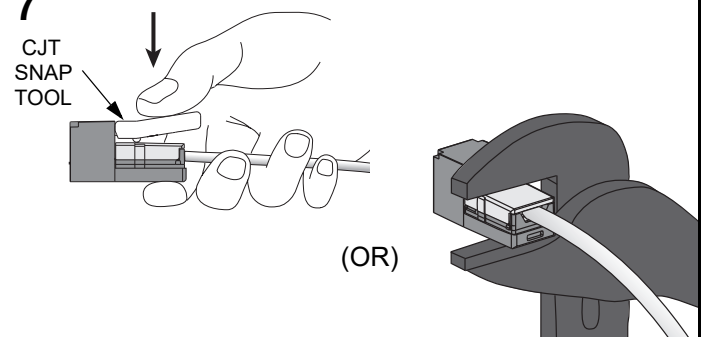
5



6

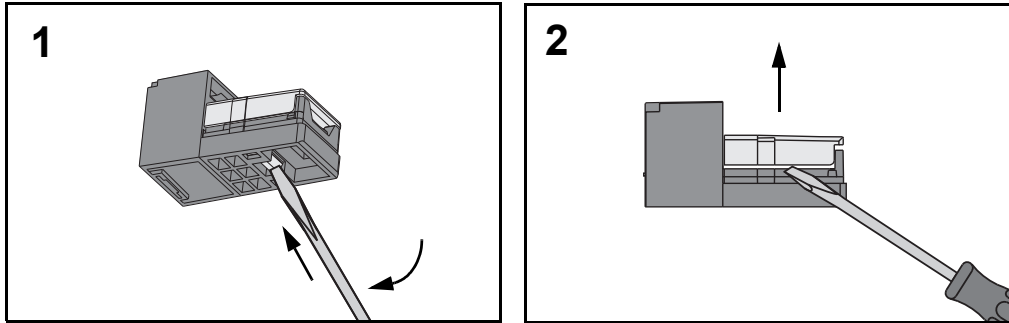


7

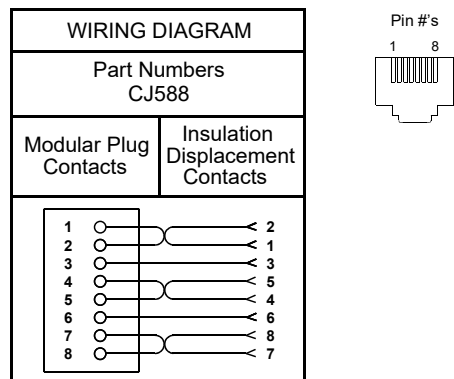


** Denotes color.

TERMINATION CAP REMOVAL



WIRING DIAGRAMS FOR CJ588



Notes:

- For specified performance, follow TIA/EIA 568-B installation guidelines.
- Jack Modules can terminate PVC or Plenum rated 22-24 AWG solid or stranded IWC cable with insulated conductor outside diameter ranging between 0.035 inch (0.88mm) and 0.048 inch (1.2mm).
- Jack Modules may be re-terminated a minimum of 10 times.
- For technical and performance information, consult Panduit Technical Support.

As with all Wiring Accessories, the following statements apply:

- Never install communications wiring during a lightning storm.
- Never install communications wiring in wet locations unless the jack is specifically designed for use in wet locations.
- Never touch uninsulated communications wiring or terminals unless the communication line has been disconnected at the network interface.
- Use caution when installing or modifying communication wiring.