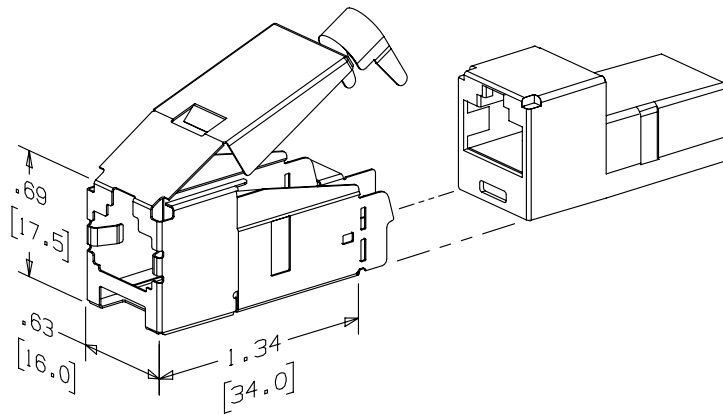


THIS COPY IS PROVIDED ON A RESTRICTED BASIS AND IS NOT TO BE USED IN ANY WAY DETRIMENTAL TO THE INTERESTS OF PANDUIT CORP.

PANDUIT PART NO.	EIA/TIA	WIRE APPLICATION	WEIGHT
CJS588Y	----	TERMINATES 24 AWG UNSHIELDED TWISTED PAIR TO A MODULAR JACK.	1.34 LB/50 PCS (610 g/50 PCS)
CJS588AY	568A		
CJS588BY	568B		
CJS58822Y	----	TERMINATES 22 AWG UNSHIELDED TWISTED PAIR TO A MODULAR JACK.	
CJS58822AY	568A		
CJS58822BY	568B		

NOTES:

- SEE CURRENT CATALOG FOR ADDITIONAL PART NUMBER SUFFIXES TO INDICATE COLOR AND OR PACKAGE QUANTITY.
- ONE SHIELDED MINI-JACK INCLUDES:
 JACK HOUSING -ABS
 TERMINATION CAP -POLYCARBONATE
 EMI SHIELD -TIN PLATED PHOSPHOR BRONZE
 CRIMP FERRULE -CARTRIDGE BRASS
 INSULATOR LABEL -POLYESTER FILM
 NOTE: INSULATOR LABEL (P/N CJSGL) IS AVAILABLE AS AN OPTION.
- ALL MINI-JACK 8 POSITION, 8 WIRE CONNECTOR MODULES ARE UNIVERSAL IN DESIGN. THEY WILL ACCEPT TWO, THREE, OR FOUR PAIR MODULAR PLUGS WITHOUT DAMAGE.
- U.L. VERIFIED CATEGORY 5 PERFORMANCE.
- 8 POSITION, 8 WIRE TERMINATION CAP IS COLOR CODED FOR EIA/TIA 568A AND/OR 568B WIRING.
- DIMENSIONS IN PARENTHESES ARE IN METRIC.



PART NUMBER		CJS588****	
TITLE		8 POSITION CATEGORY 5 SHIELDED MINI-JACK	
		CUSTOMER DRAWING	
ITEM REVISION NAME		M02479MX/00	
DATASET FILE NAME		M02479MX_DC337/00B	
UNLESS OTHERWISE SPECIFIED, DIMENSIONAL TOLERANCES ARE: IN (mm)		MATERIAL:	
.x ± .xx ± .03 (.8)		SEE NOTE 2	
.xxx ± .010 (.3)		DRAWING NUMBER:	
ANGLES ±		02479-337	
THIRD ANGLE PROJECTION		SHT 1 OF 1	
DRAWN BY	DATE	CHK	SCALE
NER	3-24-06	WJC	NONE
REV	DATE	BY	CHK
1	5-29-14	MDJR	REFR
R	3-24-06	NER	WJC
DESCRIPTION		APR	ECN

REV	DATE	BY	CHK	APR	DESCRIPTION	ECN
1	5-29-14	MDJR	REFR	EJH	A. UPDATED TITLE BLOCK.	02479-337
R	3-24-06	NER	WJC	RMD	RELEASED TO PRODUCTION	02479-337

D10100DA/14