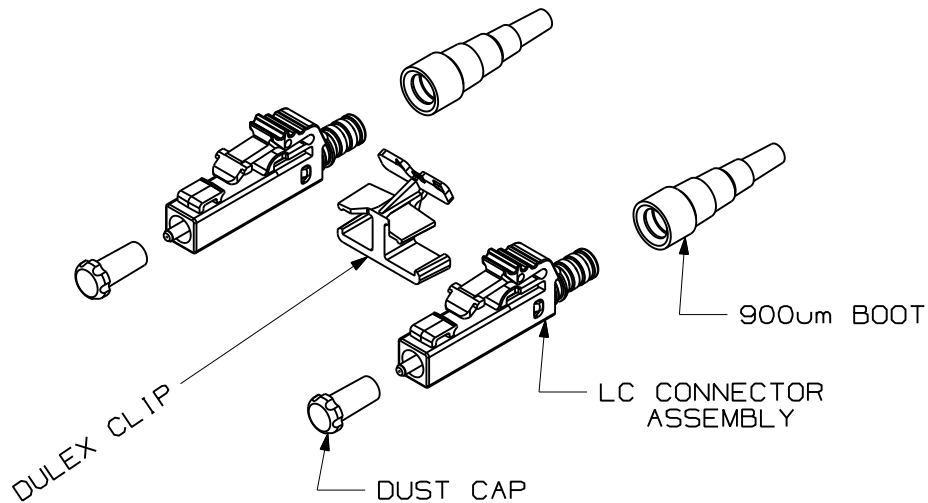


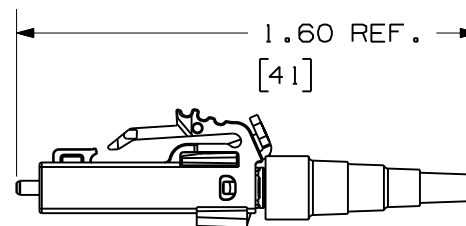
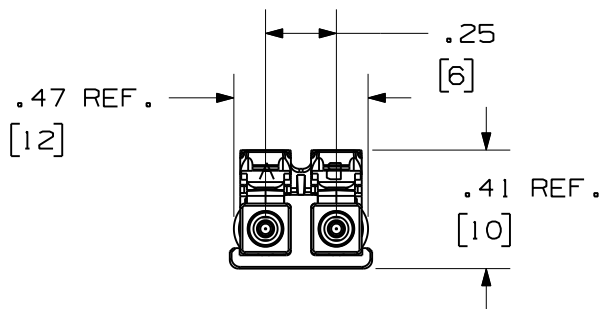
THIS COPY IS PROVIDED ON A RESTRICTED BASIS AND IS NOT TO BE USED IN ANY WAY DETRIMENTAL TO THE INTERESTS OF PANDUIT CORP.

PANDUIT PART NUMBER	TYPE	FOR USE WITH
FLCDS900BUY	SINGLEMODE	9/125 μ m FIBER
FLCDM900BLY	MULTIMODE	50/125 μ m FIBER
FLCDM900E1Y	MULTIMODE	62.5/125 μ m FIBER




NOTES:

1. SEE CATALOG FOR ADDITIONAL PART NUMBER SUFFIXES TO INDICATE COLOR AND/OR PACKAGE QUANTITY.
2. ACCEPTS 9/125 μ m SINGLEMODE, 50/125 μ m MULTIMODE OR 62.5/125 μ m MULTIMODE, 900 μ m BUFFERED GLASS OPTICAL FIBER.
3. FULLY COMPLIES WITH THE FIBER OPTIC CONNECTOR PERFORMANCE REQUIREMENTS AS SPECIFIED BY TIA/EIA-568-B.3.
4. MATERIAL:
 BODY/HARDWARE: PLASTIC
 BOOT: THERMOPLASTIC RUBBER
 FERRULE: ZIRCONIA CERAMIC
5. DIMENSIONS IN BRACKETS ARE METRIC [mm].
6. WEIGHT PER 10 PIECES: .069 lb [31.3g]



REV	DATE	BY	CHK	DESCRIPTION	ECN	R	CUST	SUP	OTH
2	09-01-11	MC	MTV	RELEASED TO PRODUCTION	01371-46	MTV	RWB		

FIBER OPTIC SINGLEMODE/MULTIMODE
 DUPLEX LC CONNECTOR WITH 900 μ m BOOT
 CUSTOMER DRAWING



PANDUITTM
CORP.
TINLEY PARK, ILL 60477

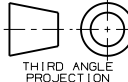
DRAWING FILENAME
M01371AA_DC-Y_900/O8A

SCALE
NONE

PART NO. FLCDS900BUY
FLCDM900BLY/FLCDM900E1Y

DRAWING NO.
01371-46

SIZE
A



THIRD ANGLE
PROJECTION

ALL DIMENSIONS ARE GIVEN IN INCHES
UNLESS OTHERWISE SPECIFIED.

DIMENSIONAL TOLERANCES ARE:
 (.X) ±.010 (0.3)
 (.XX) ±.03 (0.8) ANGLES

DRAWN BY
MC

DATE
03-07-07

CHK'D
PJI

REVIEW DRAWING NUMBERS