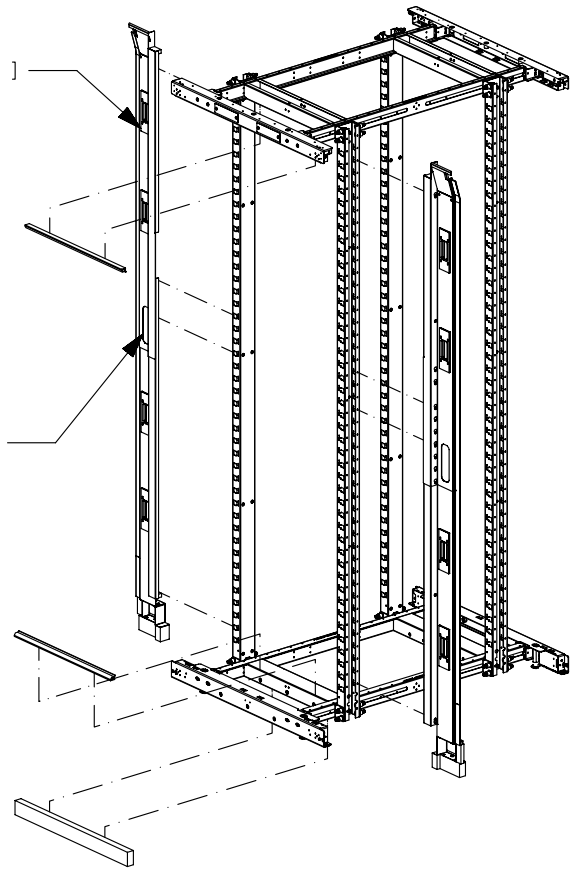


THIS COPY IS PROVIDED ON A RESTRICTED BASIS AND IS NOT TO BE USED IN ANY WAY DETRIMENTAL TO THE INTERESTS OF PANDUIT CORP.

(4) 38 [1.5] X 127 [5]  
PASS THRU OPENINGS  
PER SIDE FOR 42-48RU  
APPLICATIONS

(5) 38 [1.5] X 127 [5]  
PASS THRU OPENINGS  
PER SIDE FOR 51RU  
APPLICATIONS



NOTE:  
(2) ADDITIONAL CABLE  
PROTECTION BEZELS,  
CTCN1X5, TO BE PURCHASED  
SEPARATELY WHEN NVBP IS  
EXPANDED TO 51RU.

APPLICATION VIEW -  
CABINET NOT INCLUDED

PANDUIT PART NO.	WEIGHT
NVBP	18.8 LBS/EACH 8.5 Kg/EACH

- VISIT OUR ON-LINE CATALOG AT [WWW.PANDUIT.COM](http://WWW.PANDUIT.COM) FOR A LIST OF CURRENT PARTS APPLICABLE FOR USE WITH THIS PRODUCT.
- DIMENSIONS IN PARENTHESSES ARE INCHES [in].
- VERTICAL BLANKING PANELS BLOCK BYPASS AIR AND DIRECT COLD AIRFLOW THROUGH EQUIPMENT.
- PARTS SUPPLIED:  
1- 42-51RU RIGHT VERTICAL BLANKING PANEL  
1- 42-51RU LEFT VERTICAL BLANKING PANEL  
1- HARDWARE AND SEAL KIT  
1- INSTRUCTION SHEET
- FULLY BONDED STRUCTURE WHEN ASSEMBLED PER INSTRUCTIONS.
- COMPATIBLE WITH CTGN1X5 COOL BOOT.

REV	DATE	BY	CHK	APR	DESCRIPTION	ECN
04A	10-10-14	ROJC	ROJC	TCN	UPDATED MODEL	12V343CT_DC

TITLE		VERTICAL BLANKING PANELS FOR N-TYPE CABINETS NVBP	
CUSTOMER DRAWING			
ITEM REVISION NAME		12V343CT/04	
DATASET FILE NAME		12V343CT_DC/04A	
UNLESS OTHERWISE SPECIFIED, DIMENSIONAL TOLERANCES ARE:		MATERIAL:	
		N/A	
DRAWING NUMBER:		12V343CT_DC	
DRAWN BY	DATE	CHK	SCALE
TWV	12-14-12	BSN	NONE
SHT 1 OF 2		A	

