

4

3

2

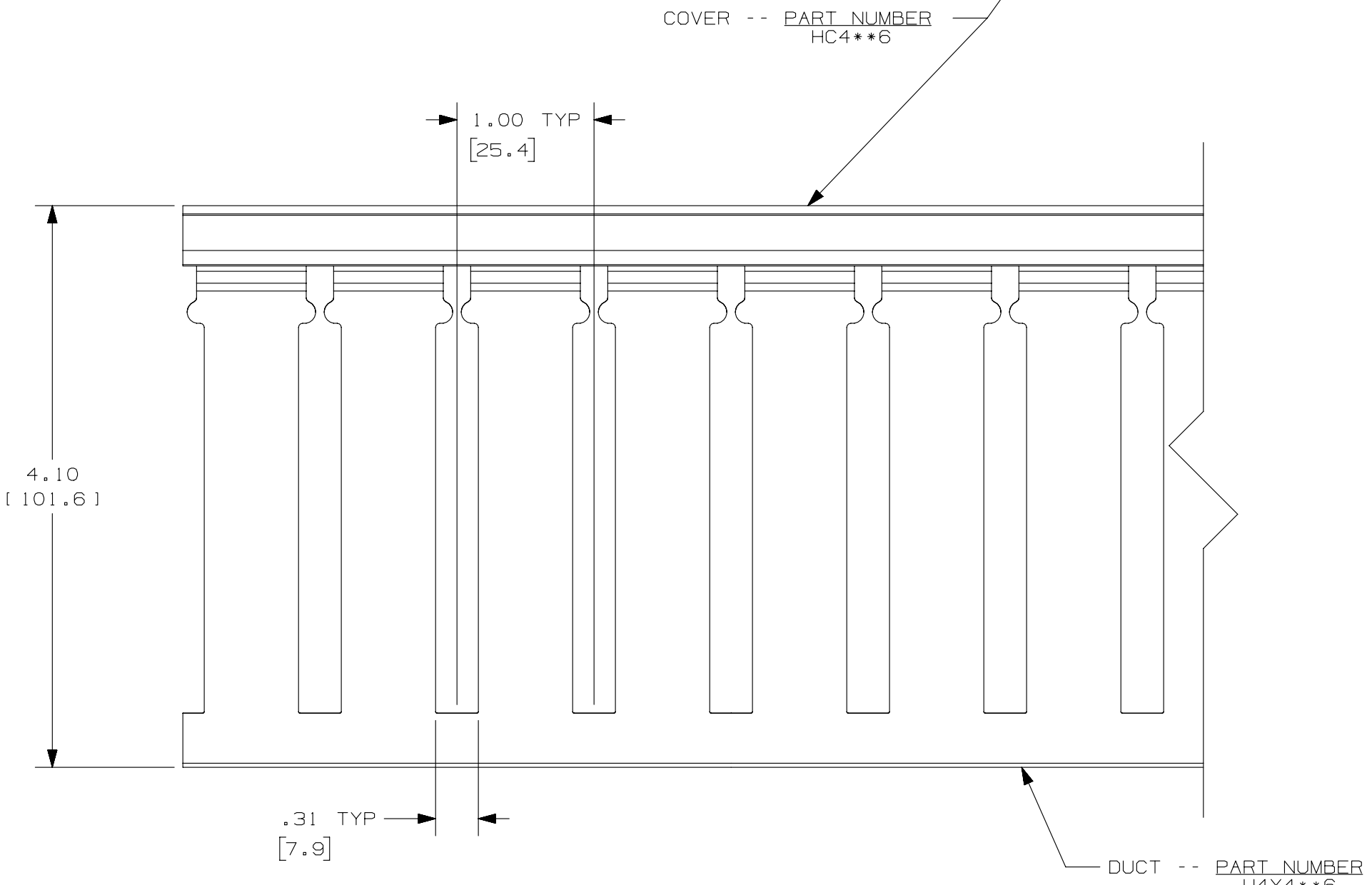
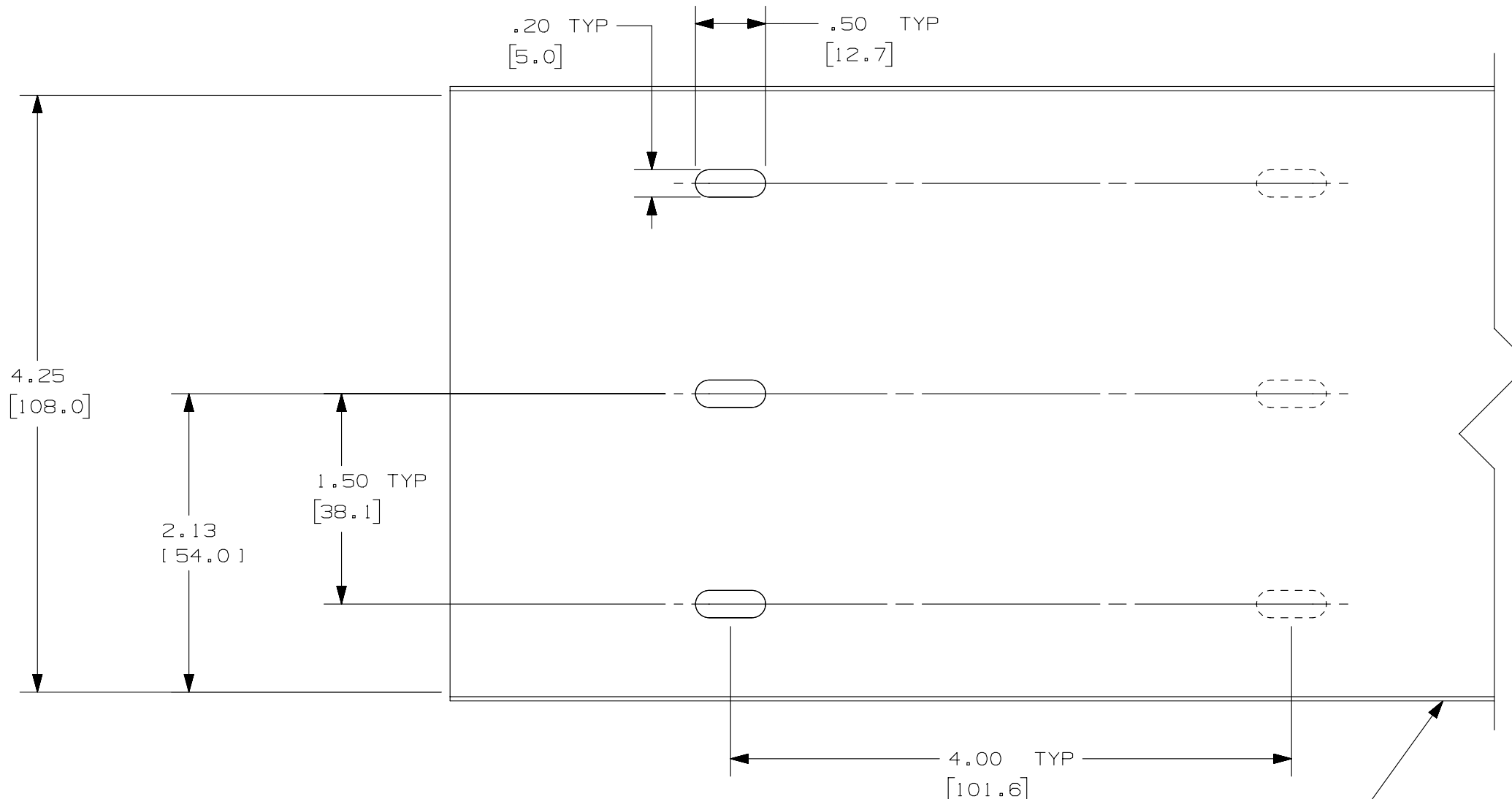
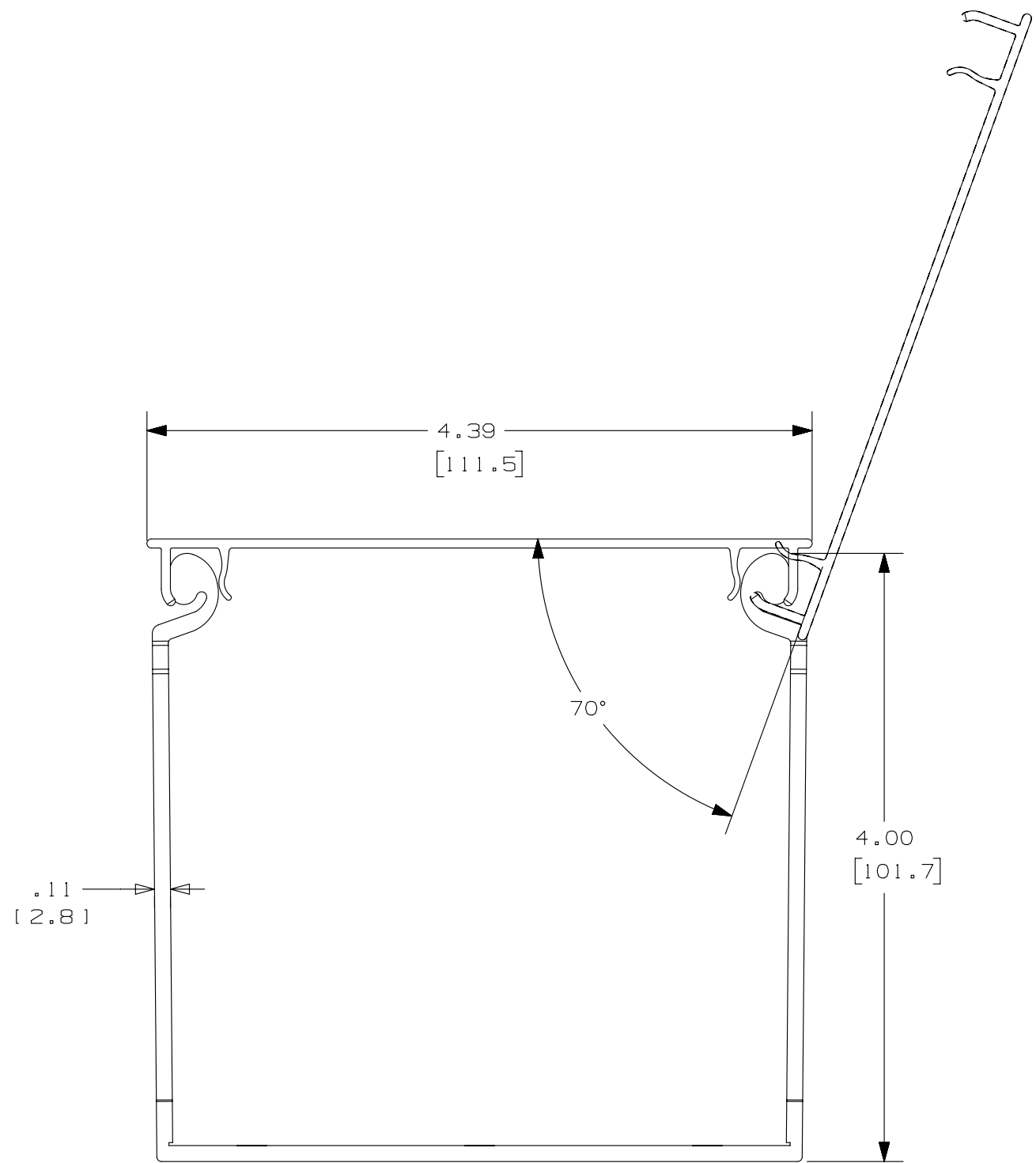
1

B

B

A

A



- NOTES:
1. ALL DIMENSIONS ARE REFERENCE ONLY.
 2. DIMENSIONS IN PARENTHESIS ARE METRIC.
 3. THE ** DENOTE COLOR.
 4. DUCT AND COVER ARE AVAILABLE IN 6 FT (1828.8) LENGTHS.

REV	DATE	BY	CHK	APR	DESCRIPTION	ECN
4	03-05-13	JBN	RTFI	RTFI	H. UPDATED DRWING BORDER & TITLE BLOCK	36897-722

TITLE WIRING DUCT -TYPE H DUCT WITH COVER 4 X 4						
MARKETING DRAWING						
ITEM REVISION NAME D11000T/01						
DATASET FILE NAME D11000T_DC/01D						
UNLESS OTHERWISE SPECIFIED, DIMENSIONAL TOLERANCES ARE: 1N (mm)					MATERIAL: PVC	
.X ± .XX ±					.XXX ± ANGLES ±	
DRAWN BY JCST					DATE 03-14-13	
CHK JGG					SCALE FULL	
THIRD ANGLE PROJECTION					DRAWING NUMBER: 36897-722	
SHT 1 OF 1					SIZE C	

4

3

2

1

D101000C/12