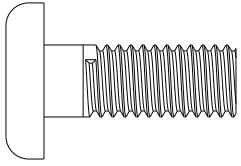
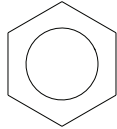


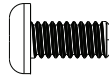
Hardware Required for Assembly (included):



**(12) 3/8-16
Carriage Bolts**



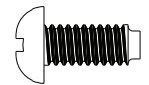
**(12) 3/8-16 Hex
Serrated Flange
Nuts**



**(4) #10-32
Screws**

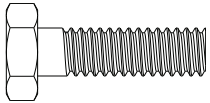


**(2) #10-32
Nuts**

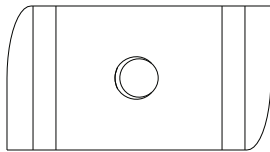


**(4) #12-24
Screws**

Hardware Required for Overhead Installation (not included):



(4) 1/4-20 Bolts



(4) 1/4-20 Strut Nuts



**(4) 1/4-20 Spring
Washer**

Tools required for rack assembly and overhead mounting:

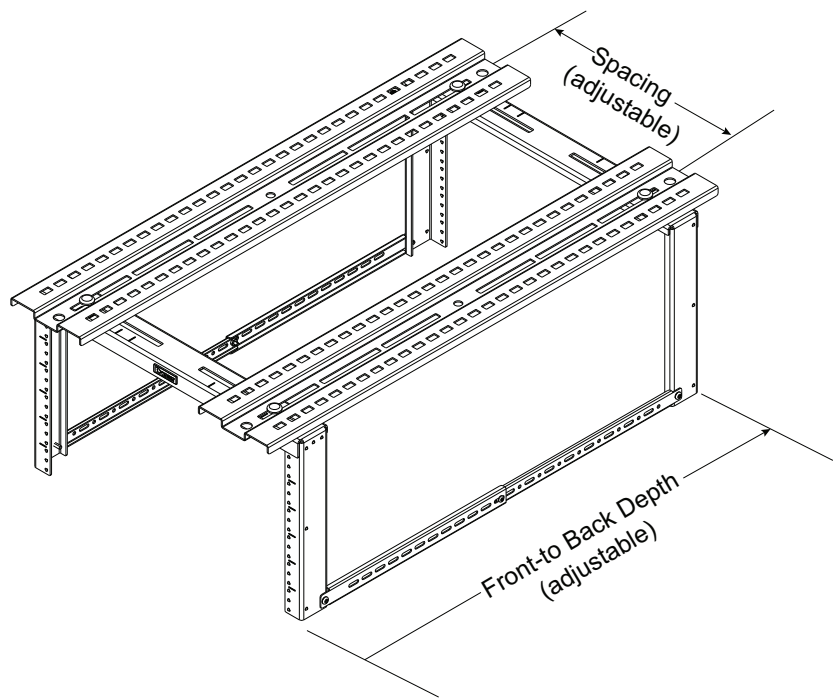
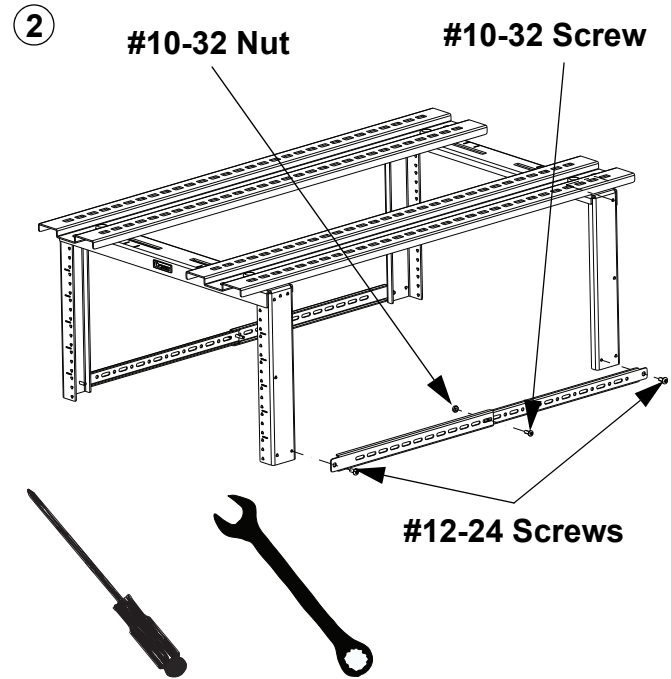
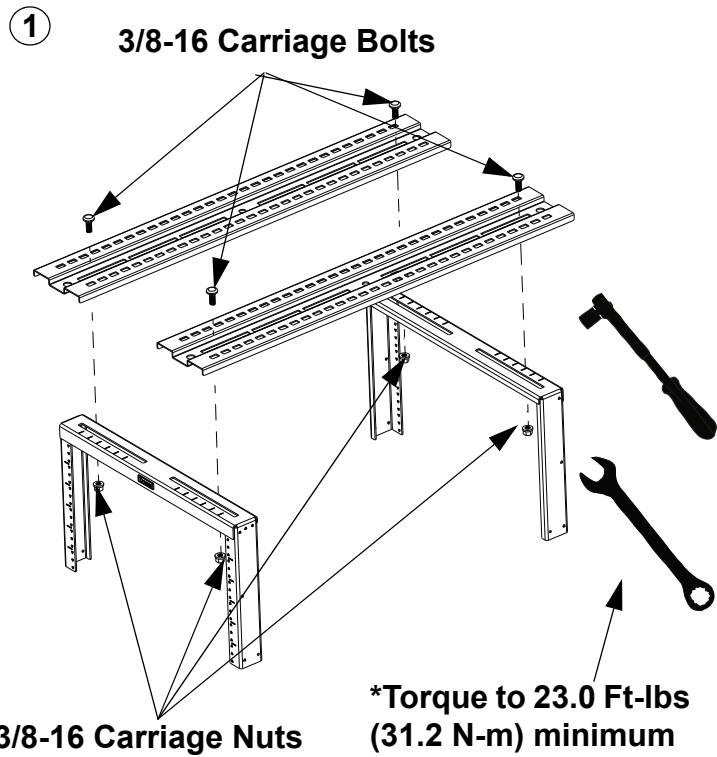


Rack Assembly

Part Number: PZLRB4P6

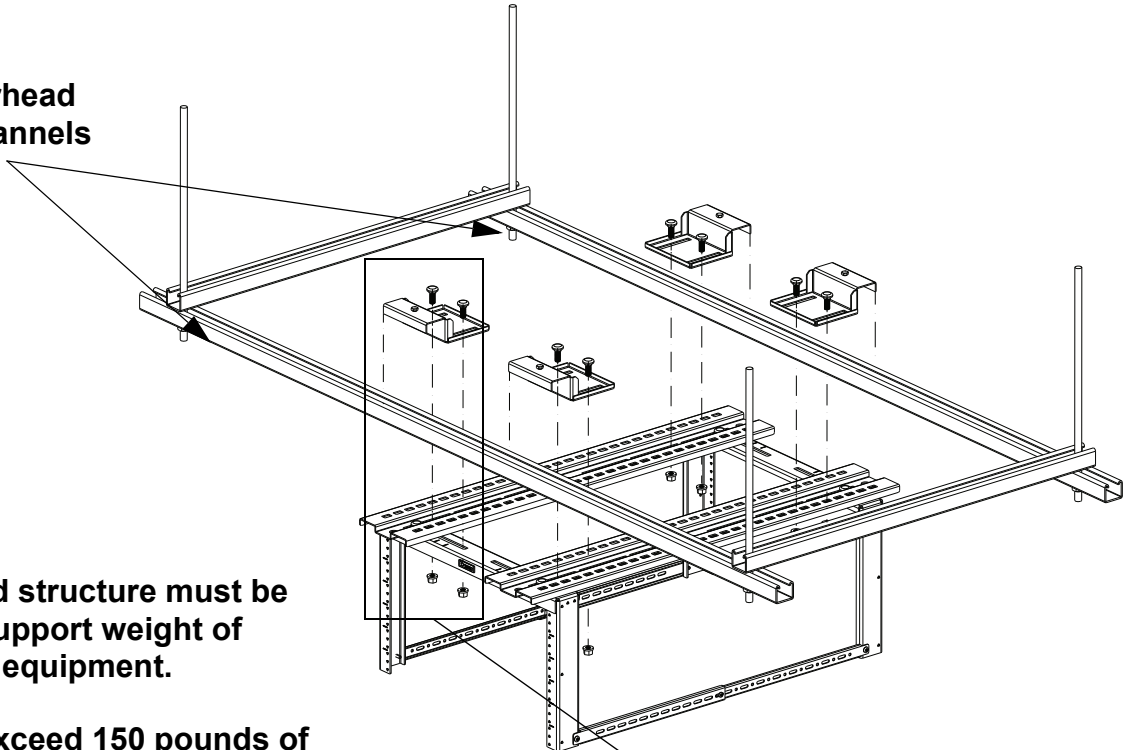
For maximum stability:

- Panduit recommends that the mount channels be installed centered on the main brackets.
- Panduit recommends that the mount channels be installed at the widest possible spacing.



Installation of Rack to Unistrut Overhead Structure

Unistrut Overhead Structure Channels

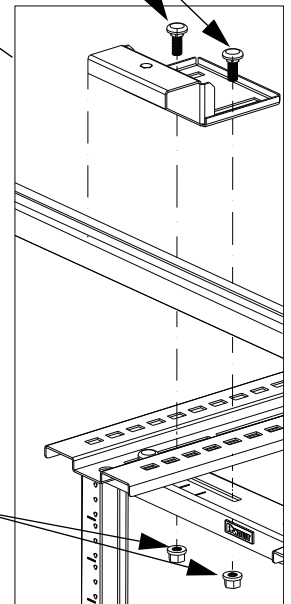


Overhead structure must be able to support weight of rack and equipment.



Do not exceed 150 pounds of equipment weight.

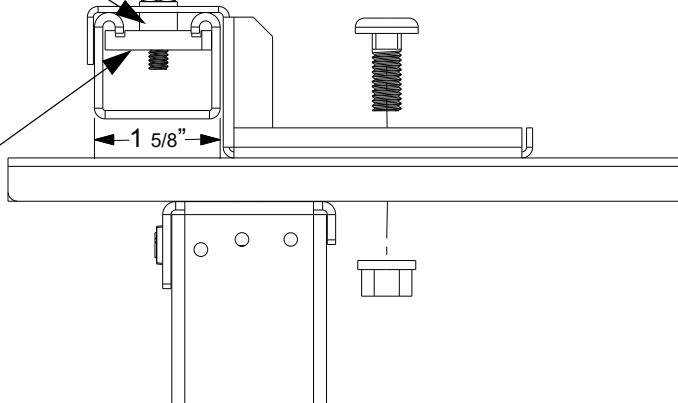
3/8-16 Carriage Bolts



1/4-20 Spring Washer

1/4-20 Bolt Torque to 6 ft-lbs. (8.1 N-m) minimum

1/4-20 Strut Nut



Side View-4X



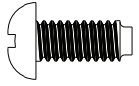
3/8-16 Carriage Nuts

*Torque to 23.0 ft-lbs (31.2 N-m) minimum

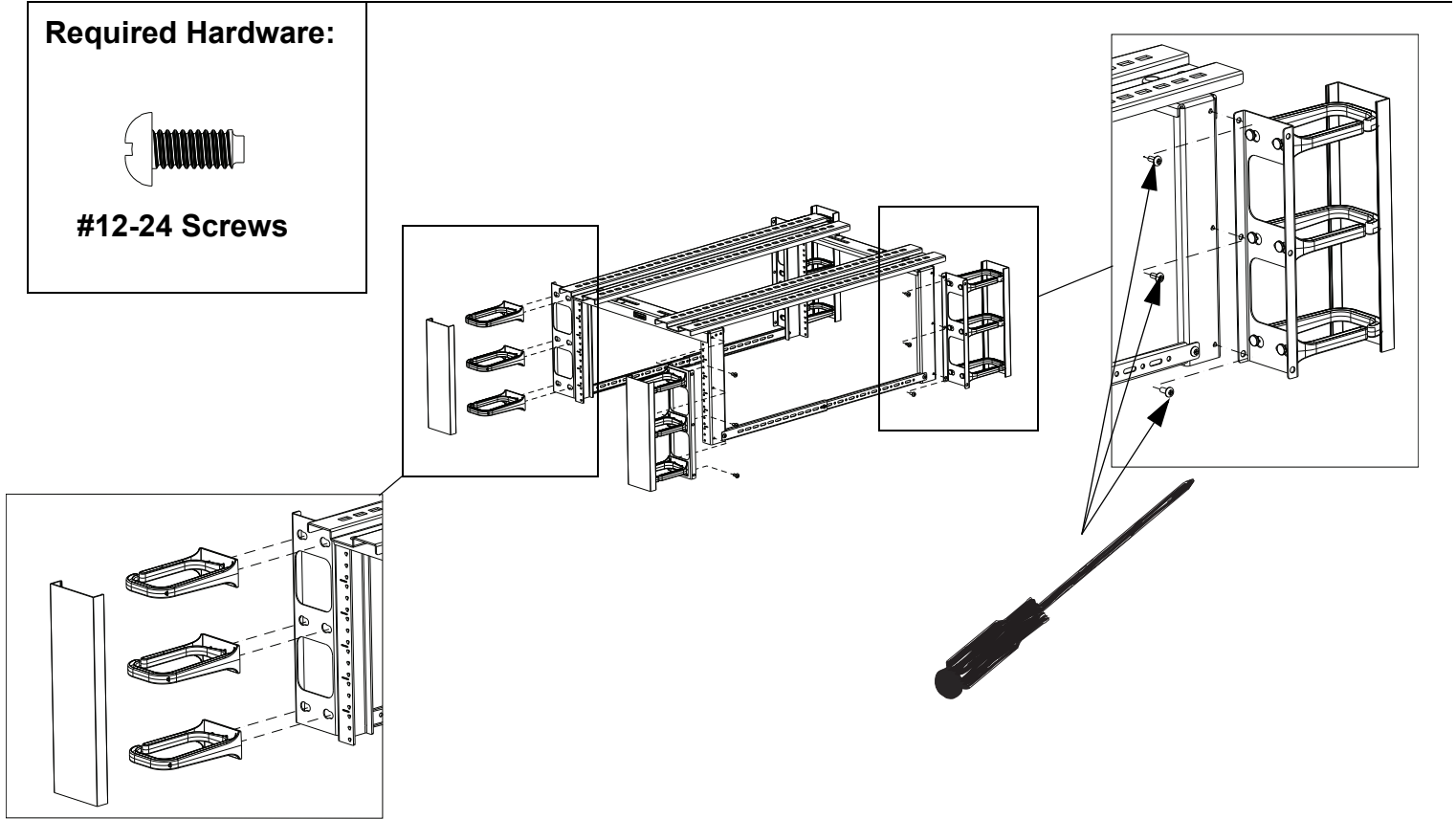
Assembly of D-Ring Panels

Part Number: PZLRB4P6LR

Required Hardware:



#12-24 Screws



For Instructions in Local Languages
and Technical Support:
www.panduit.com

PANDUIT
www.panduit.com

E-mail:
cs@panduit.com
Fax:
(708) 444-6448