

THIS COPY IS PROVIDED ON A RESTRICTED BASIS AND IS NOT TO BE USED IN ANY WAY DETRIMENTAL TO THE INTERESTS OF PANDUIT CORP.

PANDUIT P/N	WEIGHT
P36G##M-XXYZ	SEE SHEET 2

SPECIFICATION:

- | | |
|---|---|
| <p>1. STANDARD
UNIT TYPE:
ORIENTATION:
OUTLET QTY & TYPE:
INPUT VOLTAGE:
INPUT CURRENT:
BREAKER QTY & TYPE:
INPUT PHASE:
RATED POWER:
INPUT PLUG:
INPUT POWER CORD:</p> | <p>MONITORED & SWITCHED PER OUTLET
VERTICAL, 0U FULL, WIDE
SEE SHEET 2 FOR CONFIGURATIONS
200-240/346-415VAC
30A (24A DERATED)
(6) 20A, SINGLE POLE
THREE-PHASE WYE
17.3 kVA
SEE SHEET 2 FOR CONFIGURATIONS
SEE SHEET 2 FOR PART NUMBER
TABLE</p> |
|---|---|

REGULATORY STANDARD: RoHS COMPLIANT

2. ADDITIONAL:
CIRCUIT BREAKERS RATED AT 10KAIC

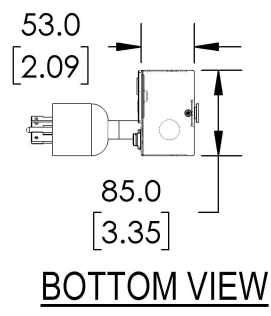
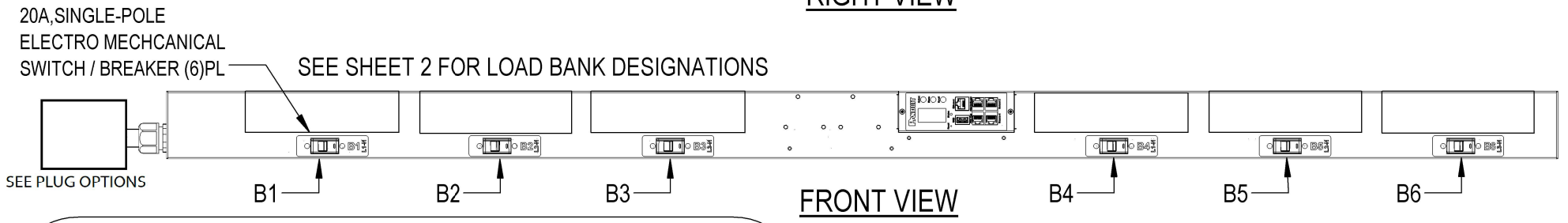
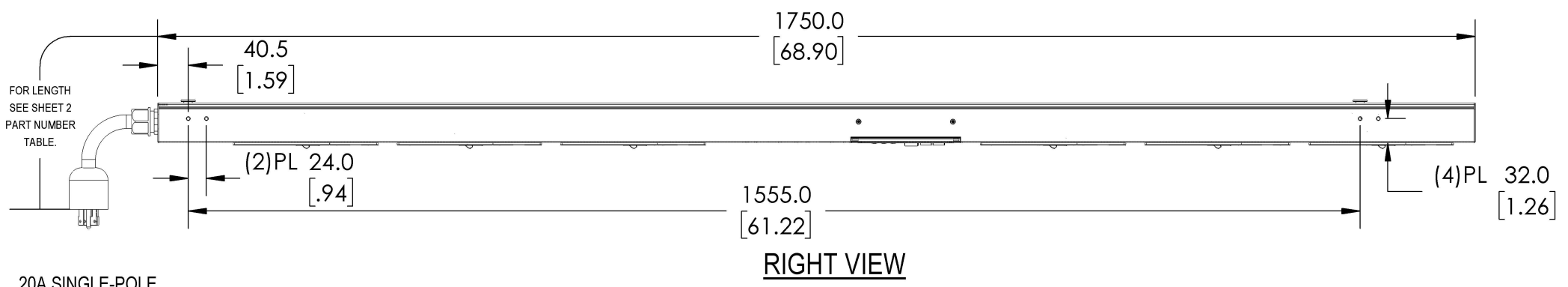
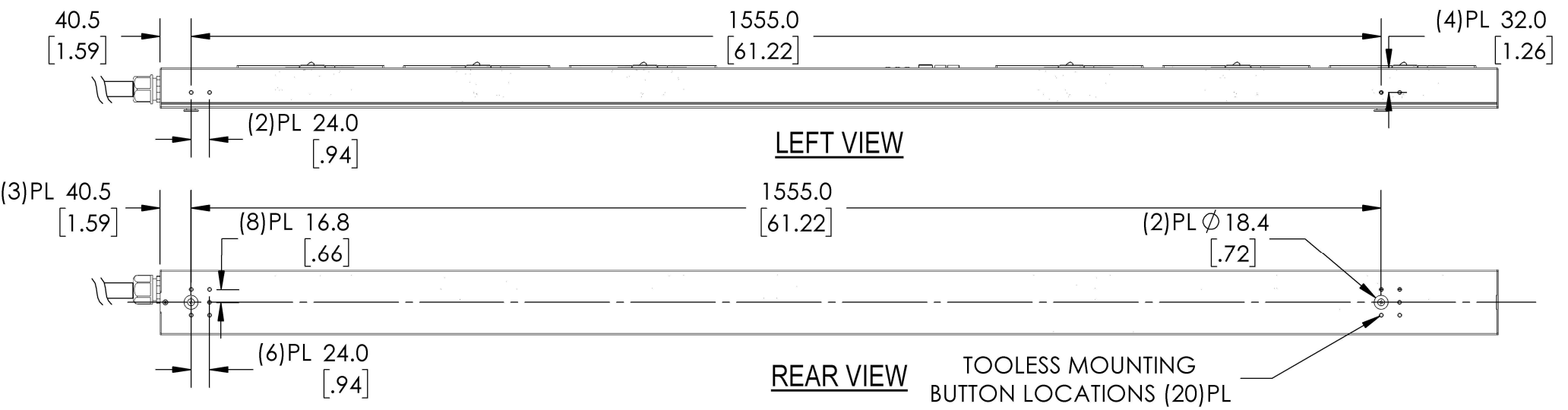
3. ACCESSORIES:
(1) QUICK-START GUIDE

NOTES:

- PRIMARY DIMENSIONS ARE IN MILLIMETERS. SECONDARY DIMENSIONS ARE IN [INCHES]
- INSTALLATION SHALL COMPLY WITH ALL APPLICABLE NATIONAL, STATE, AND LOCAL CODES
- VISIT OUR ON-LINE CATALOG AT WWW.PANDUIT.COM FOR A CURRENT LIST OF PRODUCTS APPLICABLE FOR USE WITH THIS PRODUCT
- FOR FULL PRODUCT FUNCTIONALITY REFER TO USER MANUAL
- DRAWING VIEWS SHOW THE INPUT CORD IN THE "TOP END FED" CONFIGURATION

IDENTIFICATION

FOR FINISHED GOOD PART NUMBER & DESCRIPTION TABLE SEE SHEET 2 CONFIGURABLE PART NUMBERS: **P36G##M - XXYZ**



XX: FINISHED GOOD COLOR BL = BLACK YL = YELLOW RD = RED BU = BLUE WH = WHITE GN = GREEN	Y: INPUT FEED TYPE 1 = TOP-END FED 2 = BOTTOM-END FED	Z: INPUT CORD LENGTH A = 1 METER B = 2 METER C = 3 METER
--	---	---

FOUR CHARACTER SUFFIX FOR ALTERNATE PRODUCT CONFIGURATIONS

PLUG/ RECEPTACLE BLOCK

	IEC 60309, 4P 5W, 6H IP67 (WATERTIGHT) 30A, 346-415V MAX RATED INPUT 24A DERATED		IEC 60320/C19 16A, 250V MAX RATED OUTPUT
	IEC 60309, 4P 5W, 6H IP44 (SPASHPROOF) 30A, 346-415V MAX RATED INPUT 24A DERATED		IEC 60320/C13 10A, 250V MAX RATED OUTPUT
	NEMA L22-30P, 4P 5W 30A, 277-480V MAX RATED INPUT 24A DERATED		

WE ASK THAT YOU CHECK FULLY THE DIMENSIONS, NOTES, AND SIGN THE CLIENT SIGNATURE BOX. THE JOB WILL NOT PROGRESS WITHOUT SIGNED APPROVAL. PLEASE DO NOT DELAY IN RETURNING PROOF AS IT WILL AFFECT DELIVERY.

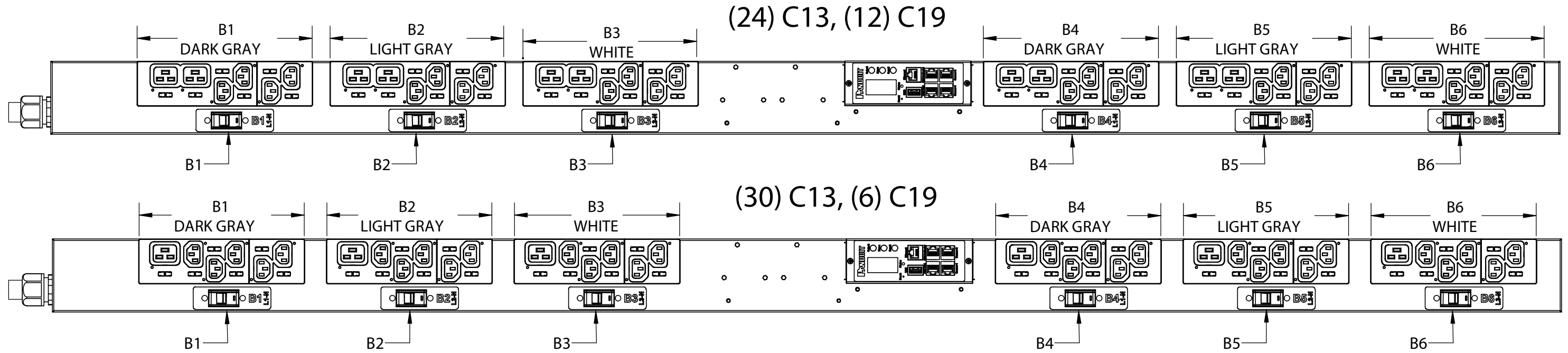
SIGN	
DATE	
PRINT	

TITLE		INTELLIGENT SERIES PDU P36G##M-XXYZ CUSTOMER DRAWING											
ITEM REVISION NAME													
DATASET FILE NAME													
UNLESS OTHERWISE SPECIFIED, DIMENSIONAL TOLERANCES ARE: mm [IN]		MATERIAL:											
Tolerance (mm)		DRAWING NUMBER: P36G_DC											
<table border="0"> <tr> <td>c<L≤50</td> <td>±0.5</td> </tr> <tr> <td>50<L≤250</td> <td>±1.0</td> </tr> <tr> <td>250<L≤500</td> <td>±1.5</td> </tr> <tr> <td>500<L≤1000</td> <td>±2.5</td> </tr> <tr> <td>1000<L≤2000</td> <td>±4.0</td> </tr> </table>		c<L≤50	±0.5	50<L≤250	±1.0	250<L≤500	±1.5	500<L≤1000	±2.5	1000<L≤2000	±4.0	BY: WAC DATE: 03/08/2019 CHK: - SCALE: NTS	
c<L≤50	±0.5												
50<L≤250	±1.0												
250<L≤500	±1.5												
500<L≤1000	±2.5												
1000<L≤2000	±4.0												
01A	03/08/2019	WAC	DACU JAWI										
RELEASED TO PRODUCTION		P36G											

REV	DATE	BY	CHK	APR	DESCRIPTION	ECN
01A	03/08/2019	WAC	DACU	JAWI	RELEASED TO PRODUCTION	P36G

D1010005/17

FINISHED GOOD PART NUMBER	FINISHED GOOD DESCRIPTION	INPUT PLUG CONFIGURATION	RECEPTACLE CONFIGURATION	COLOR	INPUT CORD LENGTH	WEIGHT
P36G06M	VERTICAL, (30)C13, (6)C19, MONITORED & SWITCHED PER OUTLET, 200-240/346-415V, 30A/3 PHASE WYE, TOP-END FED, 3 METER INPUT CORD, BLACK	L22-30P 30A 4P, 5W	(30)C13, (6)C19	BLACK (RAL 9005)	3M(+254MM/-127MM) 10' [+10"/-5"]	10.8KG
P36G03M	VERTICAL, (30)C13, (6)C19, MONITORED & SWITCHED PER OUTLET, 200-240/346-415V, 30A/3 PHASE WYE, TOP-END FED, 3 METER INPUT CORD, BLACK	IEC60309 30A 4P, 5W, IP67 (WATERTIGHT)	(30)C13, (6)C19	BLACK (RAL 9005)	3M(+254MM/-127MM) 10' [+10"/-5"]	10.8KG
P36G05M	VERTICAL, (30)C13, (6)C19, MONITORED & SWITCHED PER OUTLET, 200-240/346-415V, 30A/3 PHASE WYE, TOP-END FED, 3 METER INPUT CORD, BLACK	IEC60309 30A 4P, 5W, IP44 (SPASHPROOF)	(30)C13, (6)C19	BLACK (RAL 9005)	3M(+254MM/-127MM) 10' [+10"/-5"]	10.8KG
P36G02M	VERTICAL, (24) C13, (12) C19, MONITORED & SWITCHED PER OUTLET, 200-240/346-415V, 30A/3 PHASE WYE, TOP-END FED, 3 METER INPUT CORD, BLACK	L22-30P 30A 4P, 5W	(24) C13, (12) C19	BLACK (RAL 9005)	3M(+254MM/-127MM) 10' [+10"/-5"]	10.8KG
P36G01M	VERTICAL, (24) C13, (12) C19, MONITORED & SWITCHED PER OUTLET, 200-240/346-415V, 30A/3 PHASE WYE, TOP-END FED, 3 METER INPUT CORD, BLACK	IEC60309 30A 4P, 5W, IP67 (WATERTIGHT)	(24) C13, (12) C19	BLACK (RAL 9005)	3M(+254MM/-127MM) 10' [+10"/-5"]	10.8KG
P36G04M	VERTICAL, (24) C13, (12) C19, MONITORED & SWITCHED PER OUTLET, 200-240/346-415V, 30A/3 PHASE WYE, TOP-END FED, 3 METER INPUT CORD, BLACK	IEC60309 30A 4P, 5W, IP44 (SPASHPROOF)	(24) C13, (12) C19	BLACK (RAL 9005)	3M(+254MM/-127MM) 10' [+10"/-5"]	10.8KG



WE ASK THAT YOU CHECK FULLY THE DIMENSIONS, NOTES, AND SIGN THE CLIENT SIGNATURE BOX. THE JOB WILL NOT PROGRESS WITHOUT SIGNED APPROVAL. PLEASE DO NOT DELAY IN RETURNING PROOF AS IT WILL AFFECT DELIVERY.

SIGN _____
 DATE _____
 PRINT _____

REV	DATE	BY	CHK	APR	DESCRIPTION	ECN
01A	03/08/2019	WAC	DACU	JAWI	RELEASED TO PRODUCTION	P36G

TITLE
**INTELLIGENT SERIES PDU
 P36G##M-XXYZ**

CUSTOMER DRAWING

ITEM REVISION NAME

DATASET FILE NAME

UNLESS OTHERWISE SPECIFIED, DIMENSIONAL TOLERANCES ARE: mm [IN]

Tolerance (mm)

0<L≤50	±0.5
50<L≤250	±1.0
250<L≤500	±1.5
500<L≤1000	±2.5
1000<L≤2000	±4.0

THIRD ANGLE PROJECTION

MATERIAL:

DRAWING NUMBER:
P36G_DC

BY: WAC DATE: 3/08/2019 CHK: - SCALE: NTS

SHEET 2 OF 2 SIZE: **B**