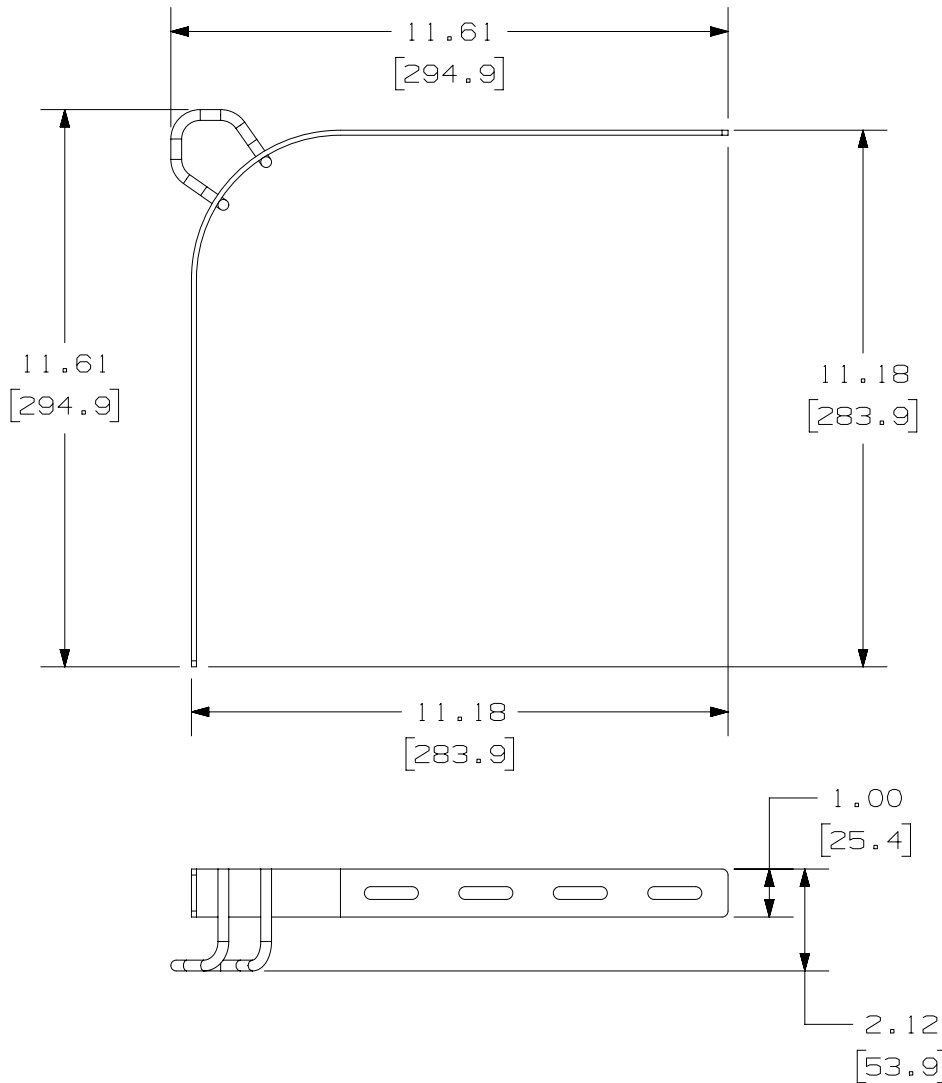


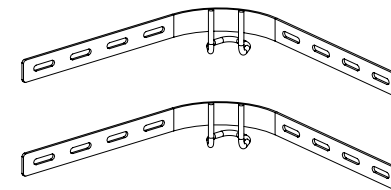
THIS COPY IS PROVIDED ON A RESTRICTED BASIS AND IS NOT TO BE USED IN ANY WAY DETRIMENTAL TO THE INTERESTS OF PANDUIT CORP.



PANDUIT P/N	WEIGHT
PWBIB2**	2.26 LBS/SET (1025.1g)/SET

NOTES:

- VISIT OUR ON-LINE CATALOG AT WWW.PANDUIT.COM FOR A LIST OF CURRENT PARTS APPLICABLE FOR USE WITH THIS PRODUCT.
- DIMENSIONS IN [] ARE METRIC.
- PART INCLUDES A SET OF 2 BRACKETS
- FASTEN BRACKET TO BASKETS USING PWBHK** (SOLD SEPARATELY)
- USE PWBSPL** TO FASTEN BASKET BASES TOGETHER (SOLD SEPARATELY)
- **= BL (BLACK POWDER COAT), WH (WHITE POWDER COAT), OR EZ (CLEAR ZINC)
- ALL MATERIALS AND COMPONENTS USED MEET THE MATERIAL RESTRICTIONS OF RoHS (EUROPEAN DIRECTIVE 2011/65/EC ON THE RESTRICTION OF HAZARDOUS SUBSTANCES) AS PROPOSED BY THE RoHS TECHNICAL ADAPTATION COMMITTEE.



TITLE WIRE BASKET RADIUS INTERSECTION 90 BRACKET, 2" (50mm) H		CUSTOMER DRAWING	
ITEM REVISION NAME 00510JBE/02		PANDUIT	
DATASET FILE NAME 00510JBE_DC/02C			
MATERIAL C.R.S.		DRAWING NUMBER 00510JBE-DC	
DRAWN BY JSP	DATE 3/1/21	CHK DWW	SCALE NONE
REV		SHEET 1 OF 1	
DESCRIPTION		SIZE A	

REV	DATE	BY	CHK	APR	DESCRIPTION	ECN
02C	12-15-23	SAT	DWR	EB	B. UPDATED TITLE.	00510JBE-DC
02B	3/18/22	JSP	DWR	ML	A. UPDATED NOTES	00510JBE-DC
02A	3/1/21	JSP	DWW	ML	INITIAL RELEASE	00510JBE-DC

A-SIZE CUSTOMER