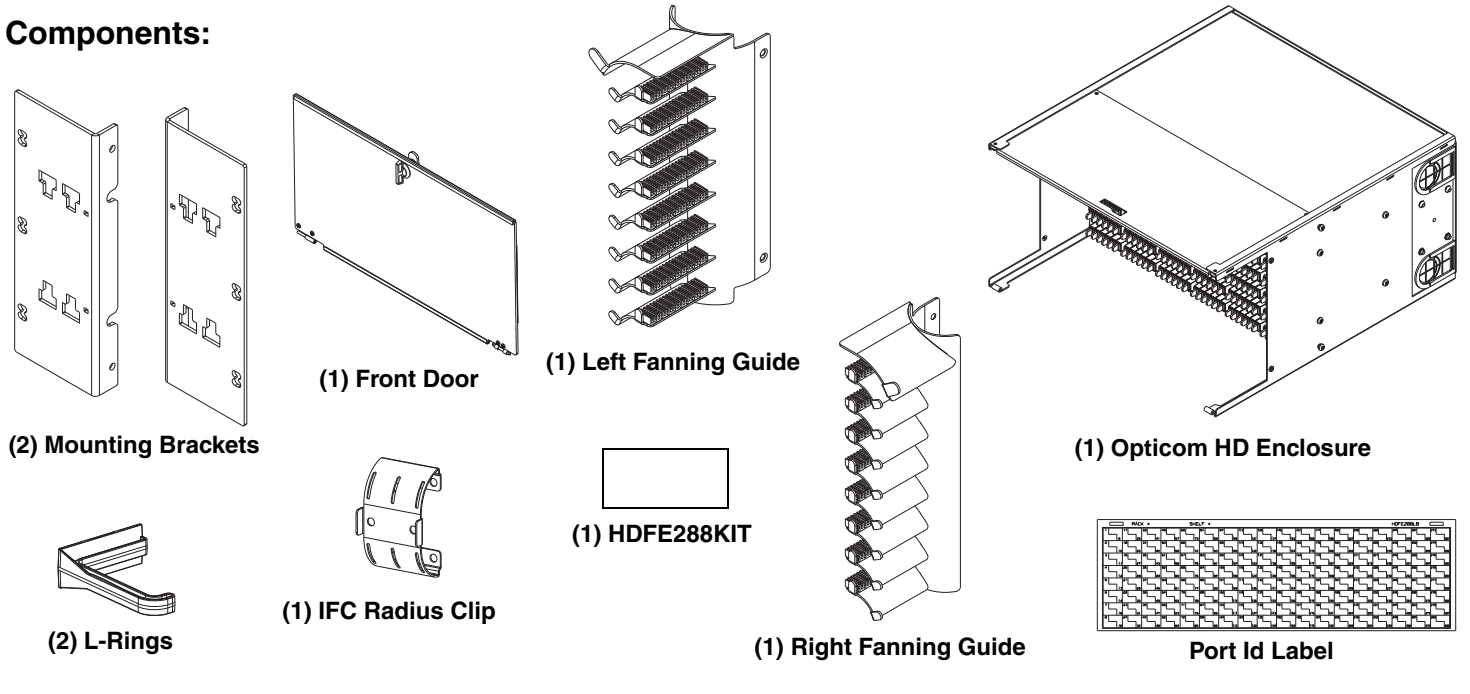
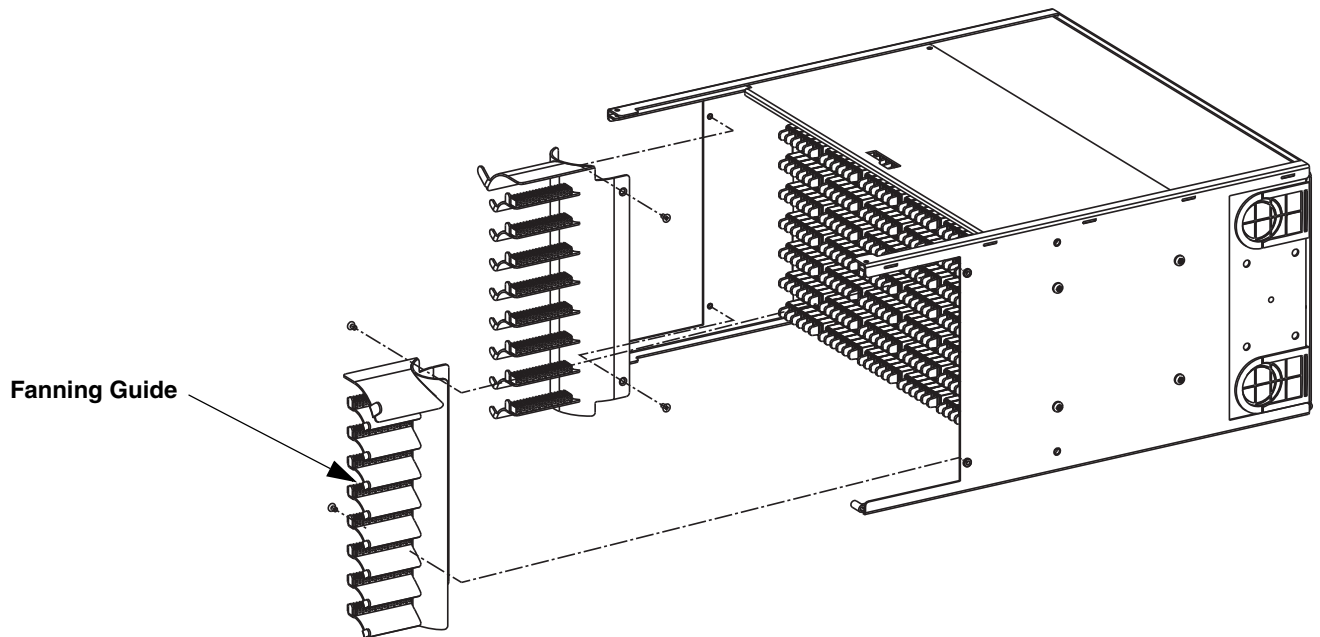


Note: Assembly instructions shown are of a (9" tall) shelf. The assembly of a 144-port 5-1/4" tall shelf is identical except where noted.

Components:



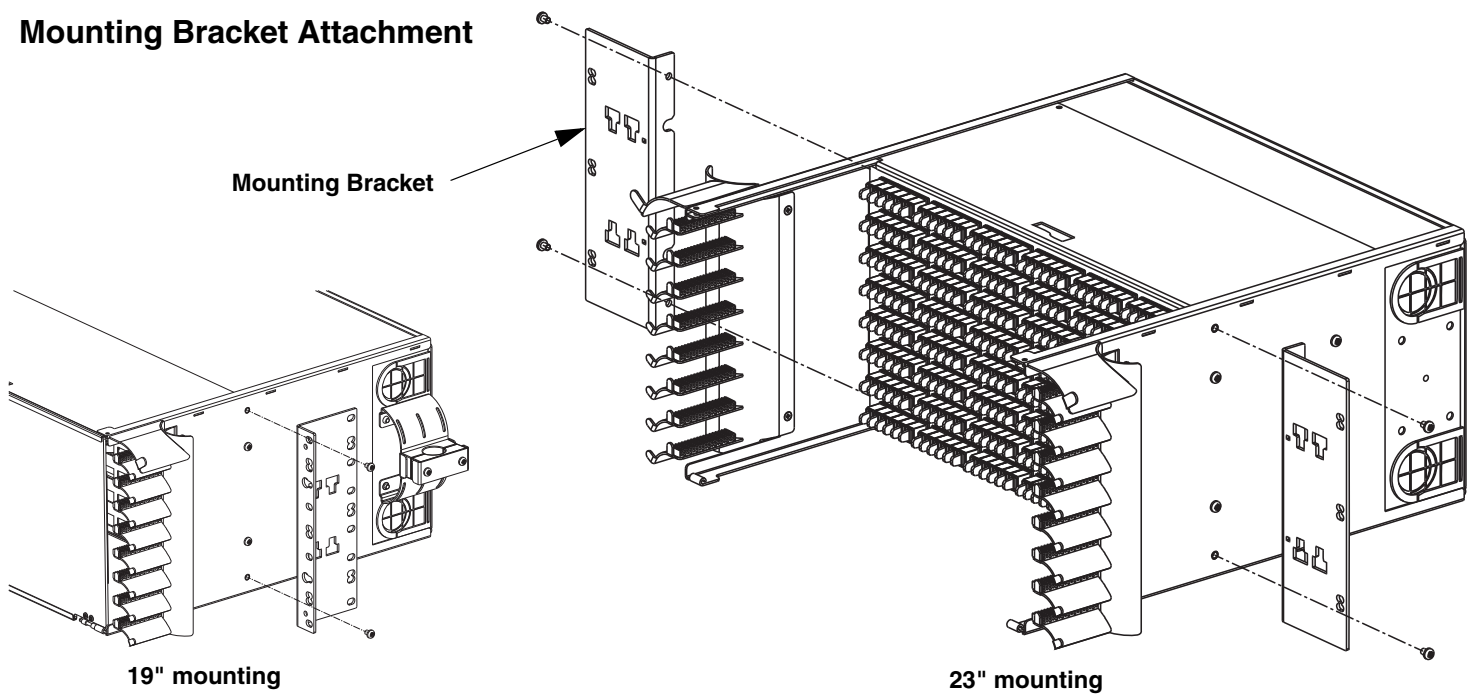
Fanning Guide Attachment



Step 1

Attach the right and left-handed fanning guides to the sides of the shelf using #6-32 flat screws provided.

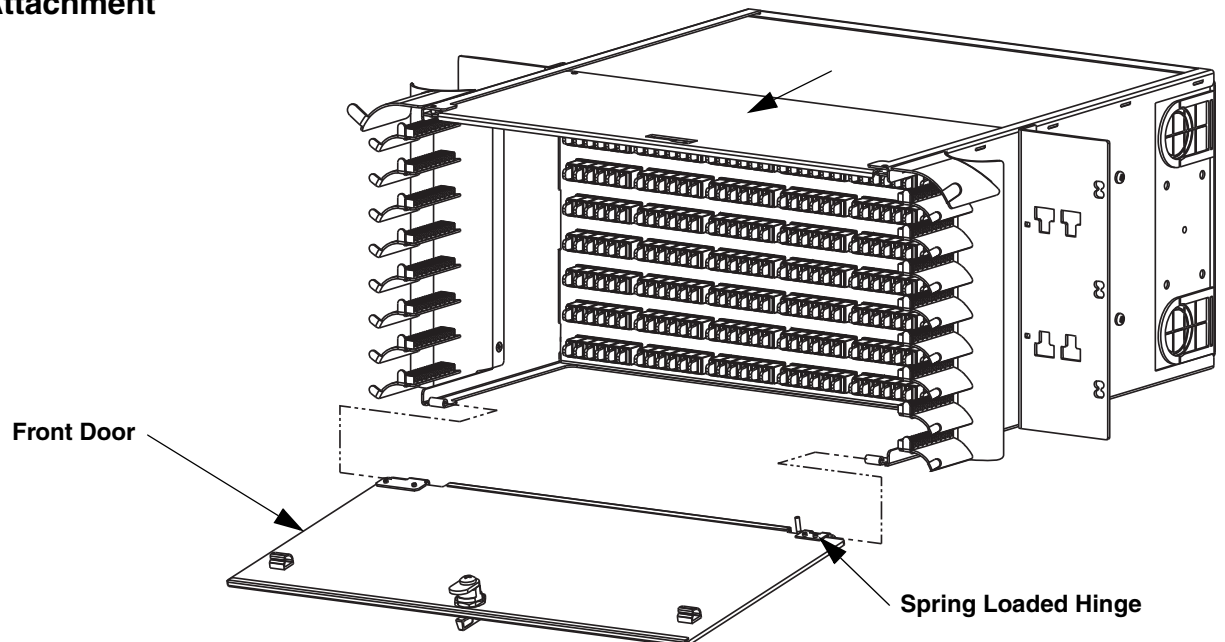
Mounting Bracket Attachment



Step 2

For 23" mounting, attach the leg of the mounting bracket to the sides of the shelf (flange facing towards rear of shelf) using the #10-32 x 1/4" screws provided. For 19" mounting, attach the flange to the sides of the shelf (leg facing towards the rear of the shelf) using the #10-32 x 1/4" screws provided.

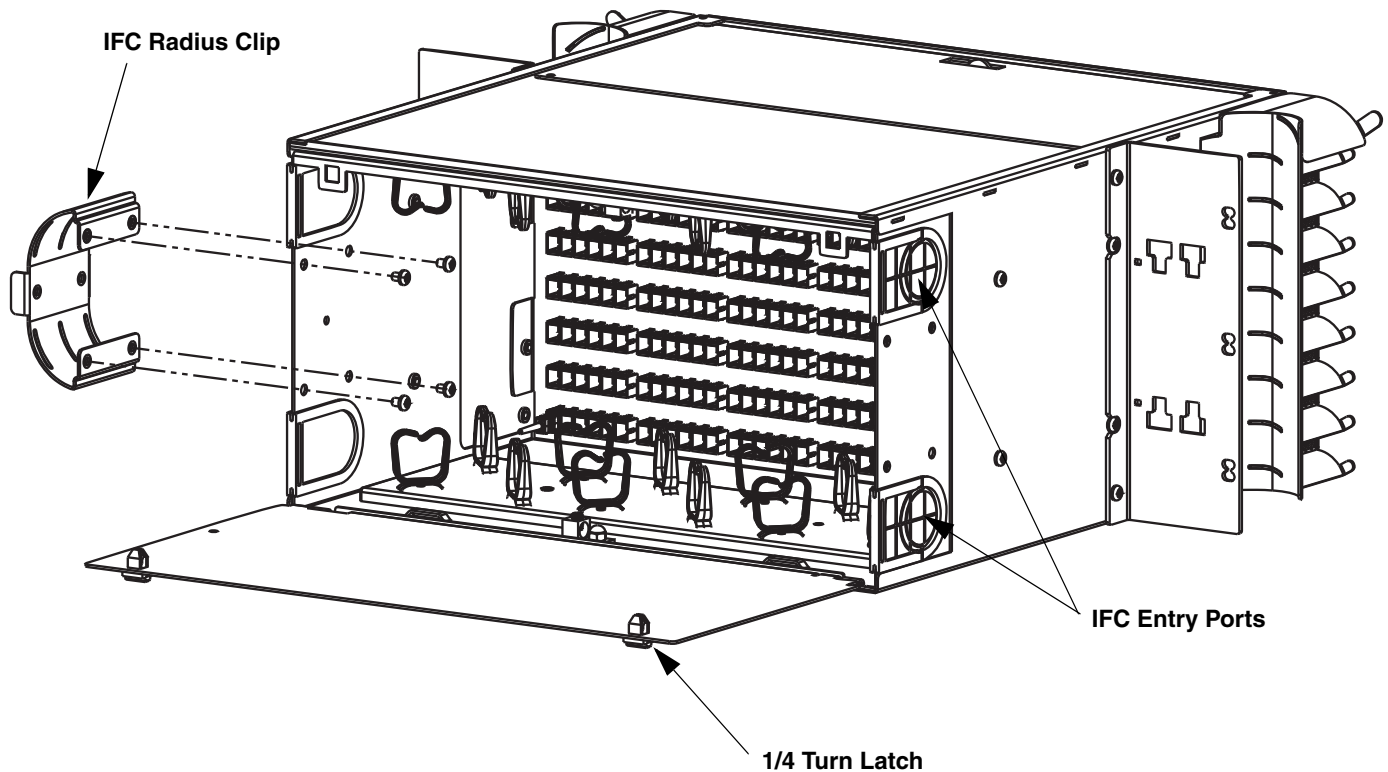
Front Cover Attachment



Step 3

Attach the shelf front cover by sliding the fixed hinge post into the left side of the shelf hinge knuckle and retracting the right spring loaded hinge into the right knuckle. Slide the top panel forward, allowing the front cover latch cam to engage the slotted opening.

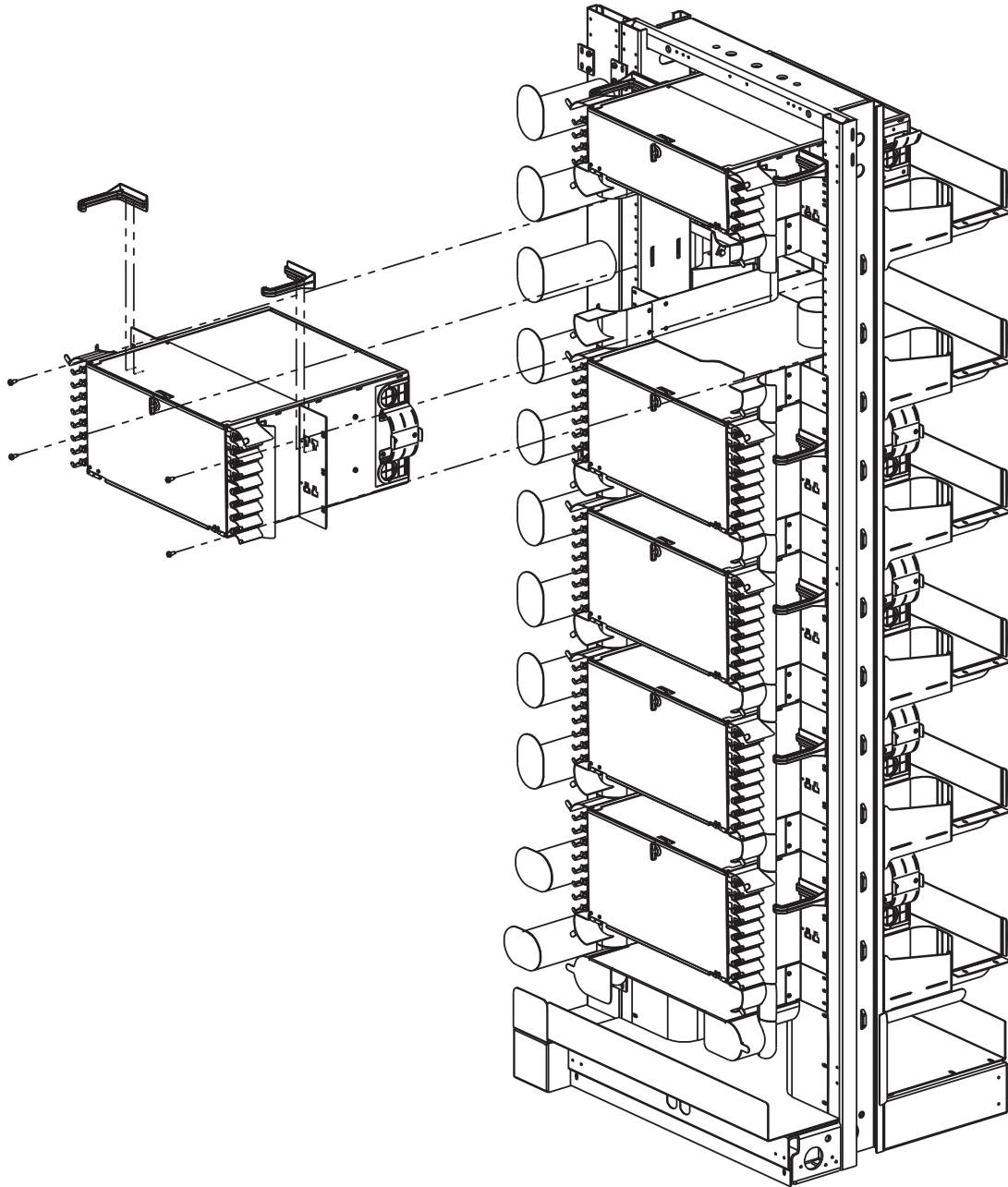
IFC Cable Entry Radius Clip Attachment



Step 4

On 9" shelves, IFC entry ports are provided at (4) locations, 2 each per side. On 5-1/4" shelves, IFC entry ports are provided at (2) locations, 1 each per side. Open the enclosure rear door by turning the 1/4 turn latches. On 9" shelves, attach the cable entry radius clip between the grommet locations with (4) #10-32 x 1/4" screws provided as shown in the figure above. On 5-1/4" shelves, attach the bend radius clip above the grommet curving up, if the cable will be routed from above. If the cable entry will be routed from below, the radius clip should be mounted below the grommet, curving down. **Note:** The 1/4 turn latch handles are taped to the back of the enclosure door and can be installed by sliding them into the slot of the latch.

Connector Shelf Installation



Step 5

Slide the assembled connector shelf into position on the HDFDF2384W bay. The position on the rack will be determined by the location of the rear troughs and shelf pass-through troughs. The shelves are designed to be located just above the pass-through troughs. The bay has locations for five (5) 9" tall shelves and one (1) 5-1/4" tall shelf. Secure the shelf to the front (large flange) of the rack using the (4) #12-24 x 1/2" screws provided. The procedure for adding shelves to the rack does not change if expanding from the top or bottom of the rack. The installation of an additional shelf on the rack does not interfere with any other shelf position. **Note:** Under certain conditions, Opticom HD can be used in remote site installations.

For Instructions in Local Languages
and Technical Support:

www.panduit.com/resources/install_maintain.asp

PANDUIT

www.panduit.com

E-mail:
techsupport@panduit.com

Phone:
866-405-6654