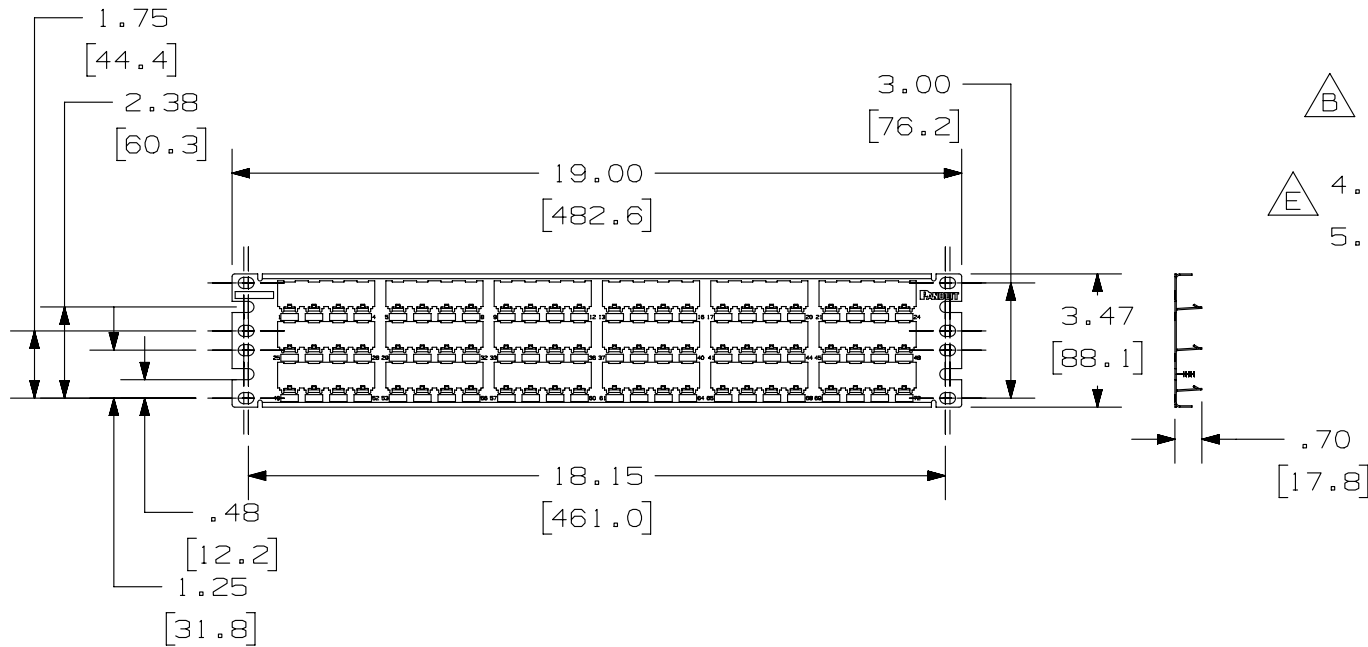


THIS COPY IS PROVIDED ON A RESTRICTED BASIS AND IS NOT TO BE USED IN ANY WAY DETRIMENTAL TO THE INTERESTS OF PANDUIT CORP.

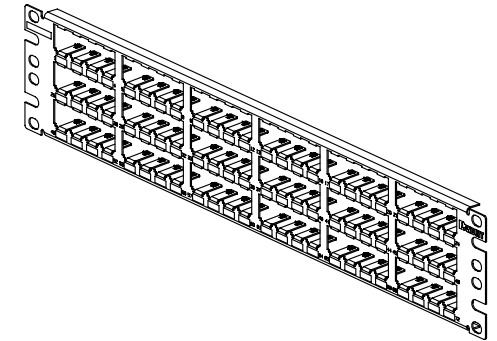


PANDUIT P/N	WEIGHT
CP72BLY	5.78 LB/10 PCS (2627 g/10 PCS)



NOTES:

- SEE CURRENT CATALOG FOR VARIOUS APPLICATIONS WITH THIS WIRING SYSTEM.
- THE HIGH DENSITY PATCH PANEL IS DESIGNED FOR MOUNTING TO 19" UNIVERSAL RACKS.
- PACKAGE CONTENTS:
  - (1) -72 PORT STAMPING
  - (1) -SCREW KIT (INCLUDES FOUR #12-24 SCREWS AND FOUR LOCK WASHERS)
  - (1) -SCREW KIT (INCLUDES FOUR M6 SCREWS)
  - (1) -REMOVAL TOOL (CPT)
- PATCH PANELS ACCEPT SHIELDED MINI-COM MODULES.
- DIMENSIONS IN PARENTHESIS ARE IN METRIC.



PART NUMBER		CP72BLY	
TITLE			
MINI-COM 72 PORT ALL METAL MODULAR PATCH PANEL (CP72BLY)			
CUSTOMER DRAWING			
ITEM REVISION NAME		M35575BA/01	
DATASET FILE NAME		M35575BA_DC_01B	
UNLESS OTHERWISE SPECIFIED, DIMENSIONAL TOLERANCES ARE: IN [ mm ]		MATERIAL:	
.x ± .xx ± .03 [ .8 ]		20 GAUGE S.S.	
.xxx ± .010 [ .3 ]		DRAWING NUMBER:	
ANGLES ±		35575-02	
THIRD ANGLE PROJECTION		SHT 1 OF 1	
DRAWN BY	DATE	CHK	SCALE
JBA	10-03-97	CEF	NONE
REV	DATE	BY	CHK
3	3-20-14	SCAL	
2	4-28-11	JSP	MBVE
1	2-3-03	JSP	MJD
R	10-02-97	JBA	CEF
DESCRIPTION		ECN	
D. REVISED DRAWING TITLE BLOCK, E. ADDED "SHIELDED" TO NOTE 4.		35575-02	
C. ADDED "Y" TO PART NUMBER		35575-02	
B. ADDED M6 SCREWS. A. REVISED NOTES: CLARIFIED B.O.M.		35575-02	
RELEASED TO PRODUCTION		35575-02	

D10100DA/14