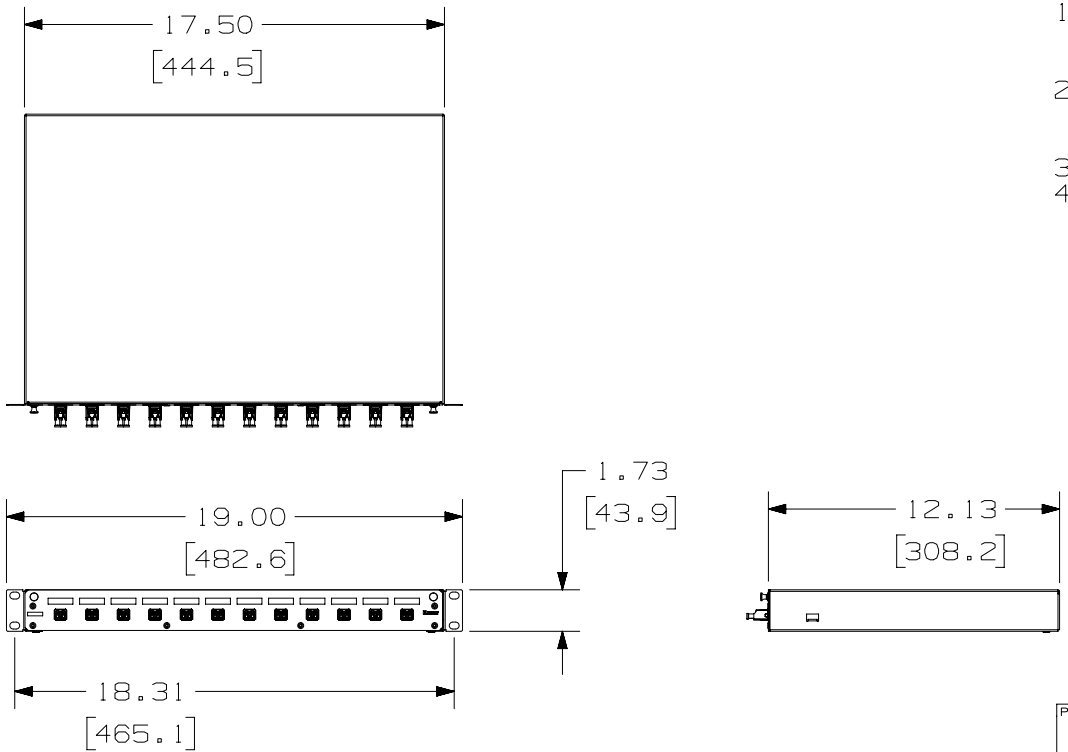
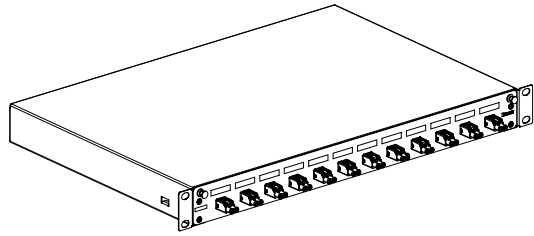


THIS COPY IS PROVIDED ON A RESTRICTED BASIS AND IS NOT TO BE USED IN ANY WAY DETRIMENTAL TO THE INTERESTS OF PANDUIT CORP.

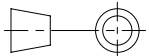



PART NUMBER	SPLIT SLEEVE TYPE	WEIGHT
NKFD1W12**DLCZ	ZIRCONIA	6.5 LBS (2948g)

** IS COLOR CODE

NOTES:

- SEE CATALOG FOR ADDITIONAL PART NUMBER SUFFIXES TO INDICATE COLOR AND/OR PACKAGE QUANTITY.
- SEE CATALOG FOR COMPLETE LIST OF PARTS APPLICABLE FOR USE WITH THIS PART.
- DIMENSIONS IN BRACKETS ARE METRIC [mm].
- PART INCLUDES:
 - (1) ENCLOSURE PRELOADED WITH (12) DUPLEX LC ADAPTERS.
 - (1) HARDWARE KIT CONTAINING:
 - (4) M6 x 12mm SCREWS
 - (4) #12-24 x 1/2" SCREWS
 - (2) FIBER SLACK SPOOL
 - (1) 2 FIBER ENTRY GROMMETS
 - (1) PG-11 GLAND
 - (2) PAN-TY CABLE TIES
 - (1) FIBER CAUTION LABEL
 - (1) LASER WARNING LABEL

PART NUMBER		NKFD1W12**DLCZ	
TITLE		NETKEY FIBER DRAWER FOR 12 DUPLEX LC	
		CUSTOMER DRAWING	
ITEM REVISION NAME		M01302AA/00	
DATASET FILE NAME		M01302AA_DC_12DLC/00D	
 THIRD ANGLE PROJECTION			
MATERIAL			
		DRAWING NUMBER	
		01302-50	
DRAWN BY	DATE	CHK	SCALE
EFK	12/14/09	WMA	NONE
REV		SHEET 1 OF 1	
3		A	

REV	DATE	BY	CHK	APR	DESCRIPTION	ECN
3	11/24/20	JSP	JSP	RWAG	REMOVE PHOS BRONZE	01302-50

A-SIZE CUSTOMER

2

1

2

1