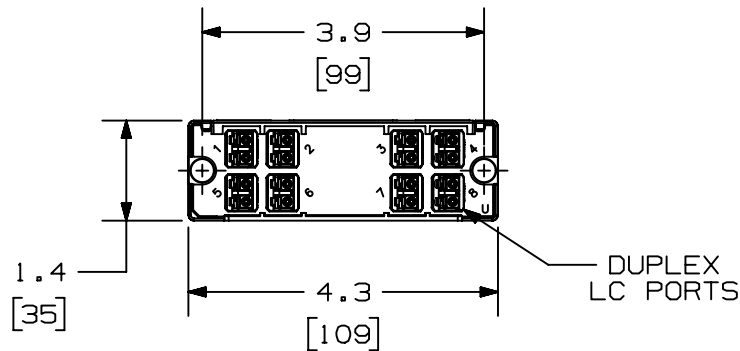
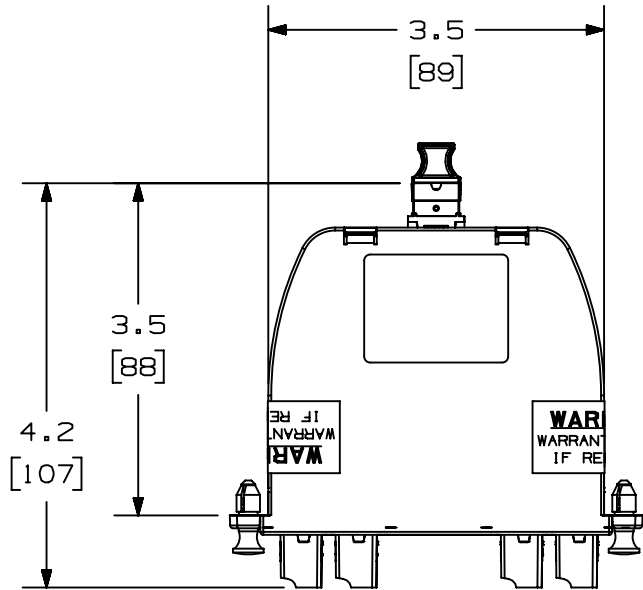
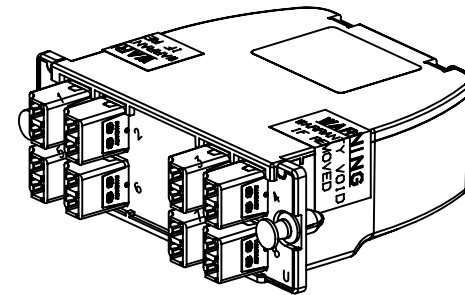


THIS COPY IS PROVIDED ON A RESTRICTED BASIS AND IS NOT TO BE USED IN ANY WAY DETRIMENTAL TO THE INTERESTS OF PANDUIT CORP.



NOTES:

1. VISIT OUR ON-LINE CATALOG AT WWW.PANDUIT.COM FOR A LIST OF CURRENT PARTS APPLICABLE FOR USE WITH THIS PRODUCT.
2. DIMENSIONS IN [ ] ARE METRIC.
3. ALL MATERIALS AND COMPONENTS USED MEET THE MATERIAL RESTRICTIONS OF RoHS (EUROPEAN DIRECTIVE 2011/65/EU ON THE RESTRICTION OF HAZARDOUS SUBSTANCES) AS PROPOSED BY THE RoHS TECHNICAL ADAPTATION COMMITTEE.
4. WEIGHT: 4.5oz (118g)
6. TOLERANCES:

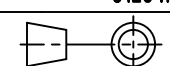


PART NUMBER		SEE CHART		
TITLE				
OPTICOM MP016 - LC CASSETTE, UNIVERSAL				
CUSTOMER DRAWING				
ITEM REVISION NAME		01204NAA/01		
DATASET FILE NAME		01204NAA_DC/01A		
		THIRD ANGLE PROJECTION		
MATERIAL		DRAWING NUMBER		
		01204NAA-DC		
REV	DATE	BY	CHK	SCALE
01	09-26-23	SSP	PJI	NONE
DESCRIPTION		ECN	SHEET 1 OF 2	
INITIAL RELEASE		V09002UC/03	A	

A-SIZE CUSTOMER

THIS COPY IS PROVIDED ON A RESTRICTED BASIS AND IS NOT TO BE USED IN ANY WAY DETRIMENTAL TO THE INTERESTS OF PANDUIT CORP.

CASSETTE PART NUMBER	DESCRIPTION
FC3Z0-16M-10U	OM4 OPTICOM CASSETTE; 8-PORT DUPLEX LC TO (1) MPO16; OPTIMIZED LOSS; MALE MPO16; U CONNECTIVITY
FC3Z0-16M-10U2	OM4 OPTICOM CASSETTE; 8-PORT DUPLEX LC TO (1) MPO16; OPTIMIZED LOSS; MALE MPO16; U2 CONNECTIVITY
FC3S0-16M-10U	OM4+ OPTICOM CASSETTE; 8-PORT DUPLEX LC TO (1) MPO16; OPTIMIZED LOSS; MALE MPO16; U CONNECTIVITY
FC3S0-16M-10U2	OM4+ OPTICOM CASSETTE; 8-PORT DUPLEX LC TO (1) MPO16; OPTIMIZED LOSS; MALE MPO16; U2 CONNECTIVITY
FC39N-16M-10U	OS2 OPTICOM CASSETTE; 8-PORT DUPLEX LC TO (1) MPO16; STANDARD LOSS; MALE MPO16; U CONNECTIVITY
FC39N-16M-10U2	OS2 OPTICOM CASSETTE; 8-PORT DUPLEX LC TO (1) MPO16; STANDARD LOSS; MALE MPO16; U2 CONNECTIVITY
FC3W0-16M-10U	OM5 OPTICOM CASSETTE; 8-PORT DUPLEX LC TO (1) MPO16; OPTIMIZED LOSS; MALE MPO16; U CONNECTIVITY
FC3W0-16M-10U2	OM5 OPTICOM CASSETTE; 8-PORT DUPLEX LC TO (1) MPO16; OPTIMIZED LOSS; MALE MPO16; U2 CONNECTIVITY

PART NUMBER		SEE CHART	
TITLE			
OPTICOM MPO16 - LC CASSETTE, UNIVERSAL		CUSTOMER DRAWING	
ITEM REVISION NAME		01204NAA/01	
DATASET FILE NAME		01204NAA_DC/01A	
		THIRD ANGLE PROJECTION	
MATERIAL		DRAWING NUMBER	
		01204NAA-DC	
DRAWN BY	DATE	CHK	SCALE
SSP	09-26-23	PJI	NONE
SHEET 2 OF 2		A	

B

B

A

A

A-SIZE CUSTOMER

REV	DATE	BY	CHK	APR	DESCRIPTION	ECN
01	09-26-23	SSP	PJI	EJH	SEE SHEET 1 FOR REVISIONS	V09002UC/03