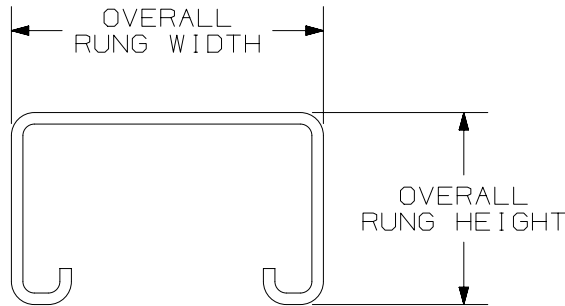
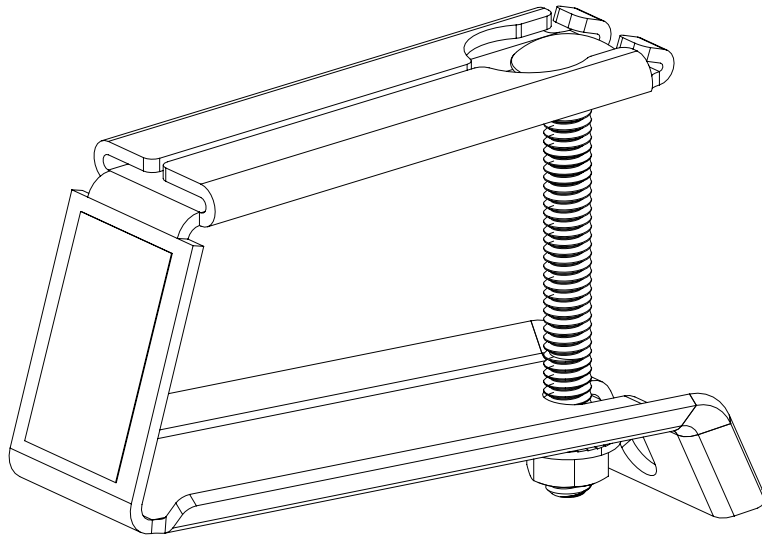


THIS COPY IS PROVIDED ON A RESTRICTED BASIS AND IS NOT TO BE USED IN ANY WAY DETRIMENTAL TO THE INTERESTS OF PANDUIT CORP.



LADDER RACK RUNG CROSS SECTIONAL VIEW
 USE TABLE TO SELECT BRACKET PART NUMBER WORKS WITH STRUT, TOP HAT, I-BEAM, AND RECTANGULAR CROSS SECTIONS

NOTES:

- VISIT OUR ON-LINE CATALOG AT WWW.PANDUIT.COM FOR A LIST OF CURRENT PARTS APPLICABLE FOR USE WITH THIS PRODUCT.
- DIMENSIONS IN [] ARE METRIC.
- ALL MATERIALS AND COMPONENTS USED MEET THE MATERIAL RESTRICTIONS OF RoHS EUROPEAN DIRECTIVE ON THE RESTRICTION OF HAZARDOUS SUBSTANCES AS PROPOSED BY THE RoHS TECHNICAL ADAPTATION COMMITTEE.
- FOR USE WITH PANDUIT CCSSTR AND CCALTR CABLE CLEATS.
- BRACKET IS 316L STAINLESS STEEL. FASTENERS ARE 18-8SS.
- CONTACT PANDUIT SALES FOR CUSTOMIZED SOLUTIONS.

PANDUIT PART NUMBER	RUNG HEIGHT in. [mm] FOR CCSSTR	RUNG HEIGHT in. [mm] FOR CCALTR	RUNG WIDTH in. [mm]	PART WEIGHT lb [g]
CBH15L50-V6	UP TO .59 [15]	UP TO .47 [12]	UP TO 1.97 [50]	.32 [145]
CBH20L50-V6	.59 [15] TO .79 [20]	.47 [12] TO .67 [17]	UP TO 1.97 [50]	.32 [147]
CBH25L50-V6	.79 [20] TO 1.00 [25.4]	.67 [17] TO .87 [22]	UP TO 1.97 [50]	.33 [151]
CBH30L50-V6	1.00 [25.4] TO 1.18 [30]	.87 [22] TO 1.06 [27]	UP TO 1.97 [50]	.34 [152]

REV	DATE	BY	CHK	APR	DESCRIPTION	ECN
02A	06-01-23	JBN	ACC	ADAH	C. UPDATED RUNG HEIGHTS FOR CBH25L50-V6 AND CBH30L50-V6 B. REMOVED STAMP PART NUMBER, ADDED LABEL	131359/00
	01-28-20	ACC	GBI	JADE	A. UPDATED NOTE 5 AND MATERIAL TO "316L STAINLESS STEEL"	
01A	05-07-19	ACC	GBI	JADE	UPDATED NOTE 3. ADDED "RUNG HEIGHT FOR CCALTR" IN TABLE	041880
00	10-15-18	ACC	GBI		INITIAL RELEASE	

TITLE						
CABLE CLEAT BRACKET ASSEMBLY						
CUSTOMER DRAWING						
ITEM REVISION NAME				00017EPZ/02		
DATASET FILE NAME				00017EPZ_DC/02A		
		THIRD ANGLE PROJECTION				
MATERIAL				316L STAINLESS STEEL		
				DRAWING NUMBER		
				00017EPZ_DC		
DRAWN BY	DATE	CHK	SCALE			SIZE
ACC	08-09-18	RGRO	NONE	SHEET 1 OF 1		A

A-SIZE CUSTOMER

2

1

2

1