

THIS COPY IS PROVIDED ON A RESTRICTED BASIS AND IS NOT TO BE USED IN ANY WAY DETRIMENTAL TO THE INTERESTS OF PANDUIT CORP.

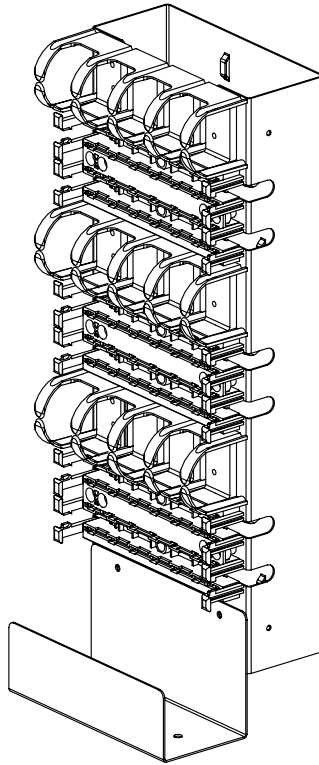
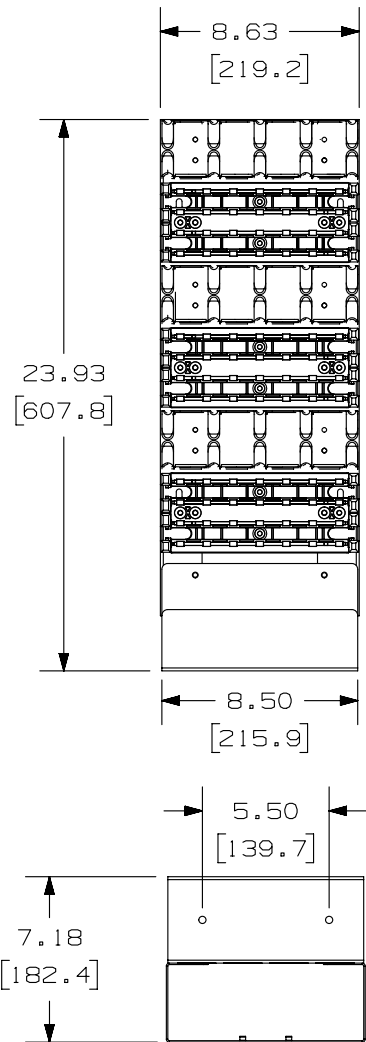


TABLE 1

PANDUIT PART NO.	WEIGHT
P110KT3004Y	9.95 LB/ea 4522.73g/ea
P110KT3005Y	9.95 LB/ea 4522.73g/ea

NOTES:

- SEE CURRENT CATALOG FOR ADDITIONAL PART NUMBER SUFFIXES TO INDICATE PACKAGE QUANTITY.
- 300 PAIR 110 TOWER ASSEMBLY IS DESIGNED FOR WALL MOUNT APPLICATIONS, PROVIDES VERTICAL CABLE MANAGEMENT, AND SUPPLIED JUMPER TROUGHS PROVIDE HORIZONTAL CABLE MANAGEMENT.
- ASSEMBLY COMES WITH FASTENER KIT WHICH INCLUDES THE FOLLOWING:
(2) #12 X 1/2" SHEET METAL SCREWS,
(2) #12 LOCK WASHERS, (1) 1/4-20 X 3/4 MACHINE SCREW, (1) 1/4-20 HEX NUT, (2) 1/4" LOCK WASHERS.
- ALSO INCLUDED WITH TOWER IS A SCREW KIT USED TO MOUNT THE JUMPER TROUGHS AND BASES.
- SEE CHART FOR NUMBER OF CONNECTING BLOCKS INCLUDED FOR EACH PART NUMBER.
- DIMENSIONS IN PARENTHESES ARE IN METRIC.

PART NUMBER	CONNECTING BLOCKS	
	4 PAIR (P110CB4-*Y)	5 PAIR (P110CB5-*Y)
P110KT3004Y	60	12
P110KT3005Y	12	60



PART NUMBER	P110KT300*Y		
TITLE	PAN-PUNCH CATEGORY 5E TOWER SYSTEM - 300 PAIR		
	CUSTOMER DRAWING		
ITEM REVISION NAME	M02479NB/00		PANDUIT
DATASET FILE NAME	M02479NB_DC341/00C		
UNLESS OTHERWISE SPECIFIED, DIMENSIONAL TOLERANCES ARE: IN [mm]		MATERIAL:	
.x ± .xxx ± .010 [.3]		DRAWING NUMBER:	
.xx ± .03 [.8]		02479-341	
ANGLES ±		THIRD ANGLE PROJECTION	
DRAWN BY	DATE	CHK	SCALE
NER	3-24-06	WJC	NONE
SHT 1 OF 2			SIZE
			A

REV	DATE	BY	CHK	APR	DESCRIPTION	ECN
2	5-28-14	MDJR	REFR	EJH	A. UPDATED TITLE BLOCK. PREVIOUS REVISIONS REMOVED FOR CLARITY.	02479-341

D10100DA/14

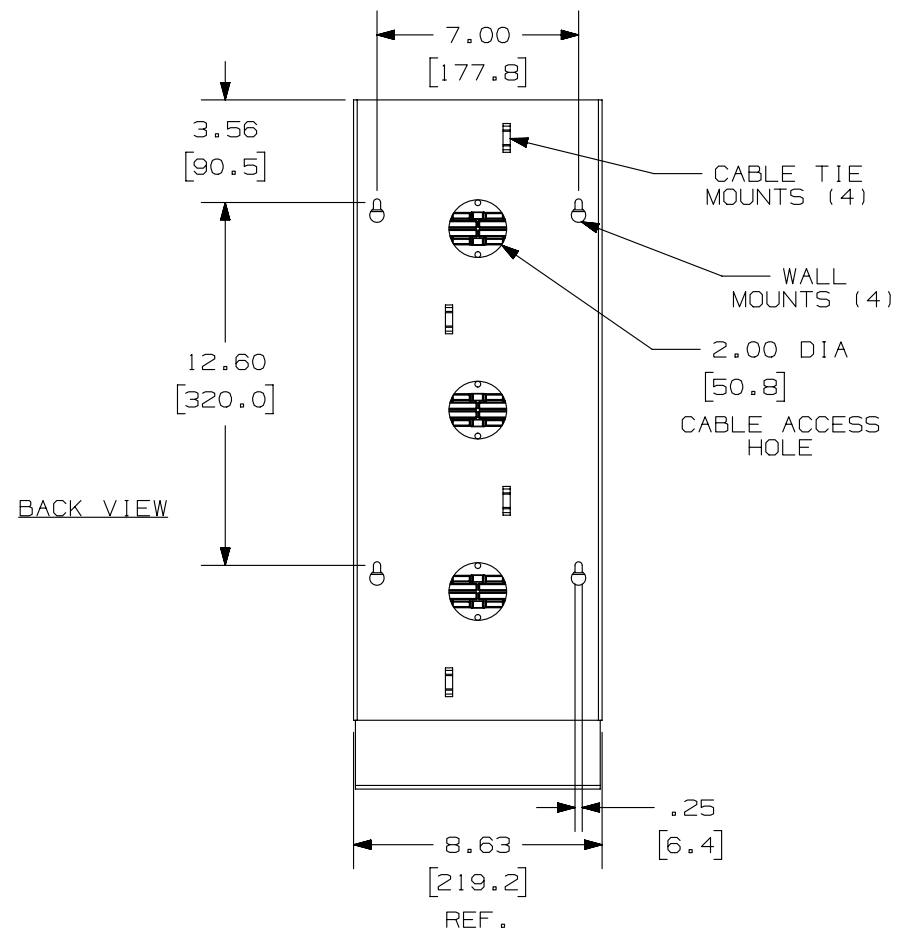
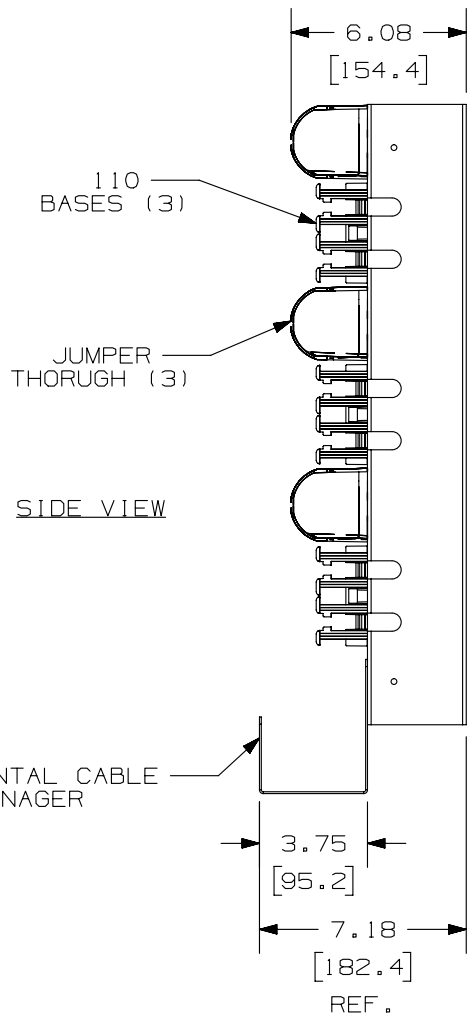
2

1

2

1

THIS COPY IS PROVIDED ON A RESTRICTED BASIS AND IS NOT TO BE USED IN ANY WAY DETRIMENTAL TO THE INTERESTS OF PANDUIT CORP.



PART NUMBER		P110KT300*Y	
TITLE			
PAN-PUNCH CATEGORY 5E TOWER SYSTEM - 300 PAIR			
CUSTOMER DRAWING			
ITEM REVISION NAME		M02479NB/00	
DATASET FILE NAME		M02479NB_DC341/00C	
UNLESS OTHERWISE SPECIFIED, DIMENSIONAL TOLERANCES ARE: IN [mm]		PANDUIT	
.x ± .xxx ± .010 [.3]			
.xx ± .03 [.8] ANGLES ±		MATERIAL:	
THIRD ANGLE PROJECTION		DRAWING NUMBER:	
02479-341		02479-341	
DRAWN BY	DATE	CHK	SCALE
NER	3-24-06	WJC	NONE
REV	DATE	BY	CHK
2	5-28-14	MDJR	REFR
APR	EJH	SEE SHEET 1 OF 2 FOR CHANGES.	
DESCRIPTION			ECN
			02479-341
SHT 2 OF 2			SIZE
			A

D10100DA/14

2

1

2

1